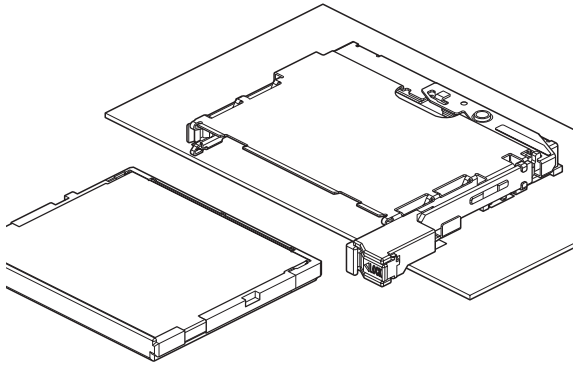


CFF CONNECTOR

1.27 mm pitch/Connector for CFast™ Card Standard



This is the connector for CFast™ Card complying with CFast™ Specification.

- **Compliant with CFast™ Card Standard**
- **Stable transmission characteristic**
- **Card connector with GND spring**
- **Ejector with slide lock**

■ Specifications

- Temperature range: -40°C to +85°C
(including temperature rise in applying electrical current)
- Contact resistance: Initial value/ 30 mΩ max.
After environmental tests/ 15 mΩ max.
(variation from initial value)
- Insulation resistance: 1,000 MΩ min. 500 VDC
- Withstanding voltage: 500 VAC/minute
- Repeated mating/unmating performance: 10,000 cycles

* In using the products, refer to "Handling Precautions for Terminals and Connectors" described on our website (Technical documents of Product information page).

* RoHS2 compliance

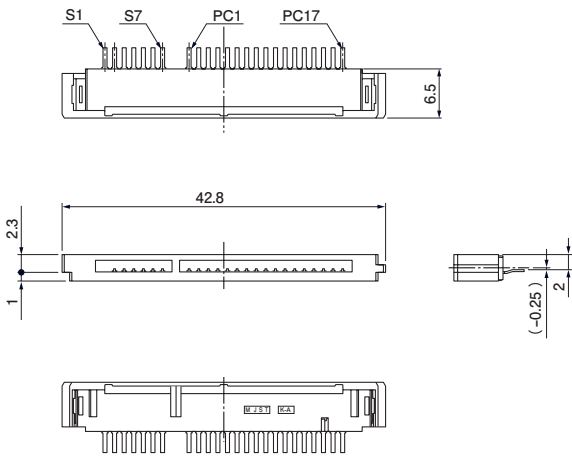
* Dimensional unit: mm

* Contact JST for details.

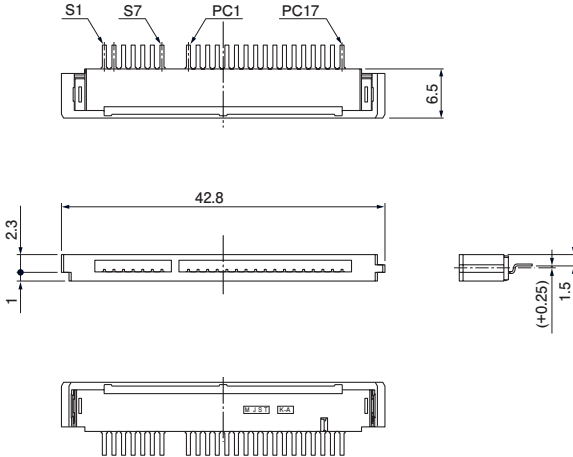
CFF CONNECTOR

Card connector

• Offset -0.25 mm (With GND spring)



• Offset +0.25 mm (With GND spring)

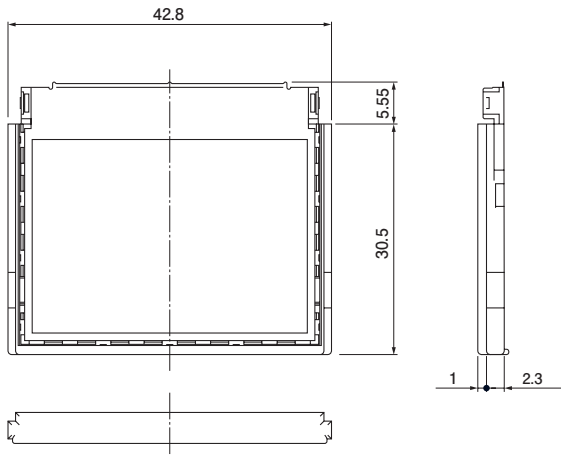


No. of circuits	Offset dimensions	GND spring	Model No.	Q'ty /reel	Material and Finish
24	-0.25 mm	With GND spring	CFF-CC24S-1521-GB25T	1,500	Contact: Copper alloy, nickel-undercoated, Mating part: gold-plated Solder tail: tin-plated (reflow treatment)
	+0.25 mm	With GND spring	CFF-CC24S-1521-GT25T	1,500	Grounding spring: Copper alloy, nickel-undercoated, Mating part: gold-plated Housing: Plastic, UL94V-0, black

RoHS2 compliance This product displays (LF) (SN) on a label.

Top cover for Type I card

Snap-in type



Type	Model No.	Q'ty/box
Snap-in type	CFF-FT1S-11FM	1,344

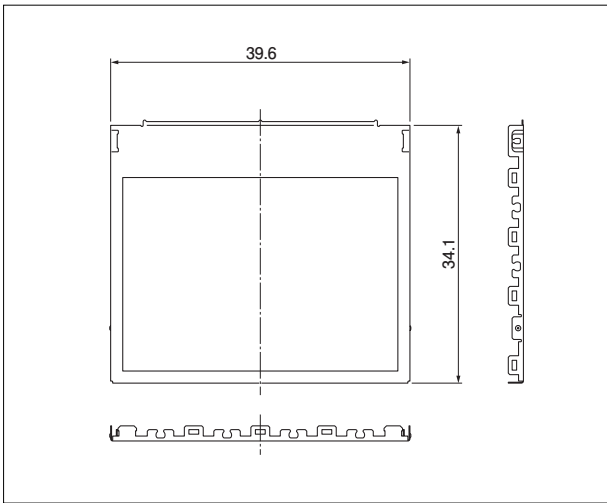
Material and Finish

Top cover : Stainless steel, Insulation film: PET
Frame: Plastic, UL94V-0, black

RoHS2 compliance

CFF CONNECTOR

Bottom cover



Type	Model No.	Q'ty/box
Snap-in type	CFF-FBU-12FM	1,344

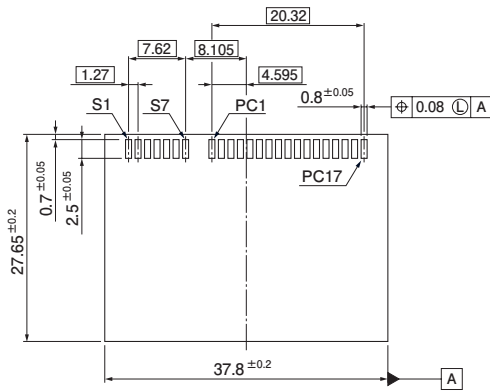
Material and Finish

Top cover : Stainless steel
Insulation film: PET

RoHS2 compliance

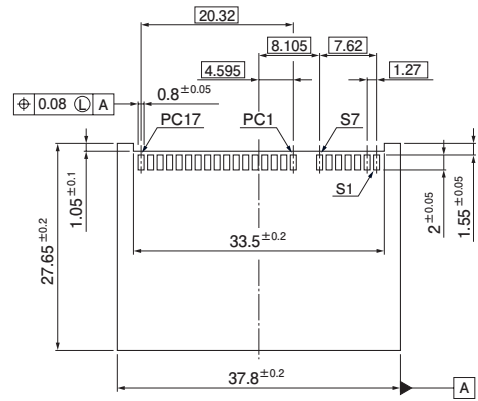
Card connector PC board layout

•Offset -0.25 mm



Bottom cover side

•Offset +0.25 mm



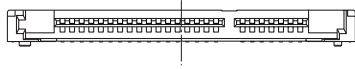
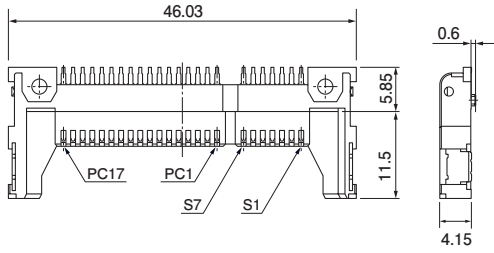
Top cover side

CFF CONNECTOR

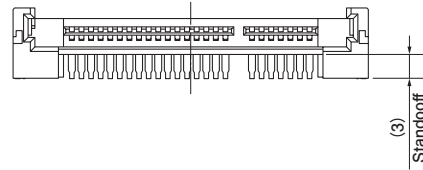
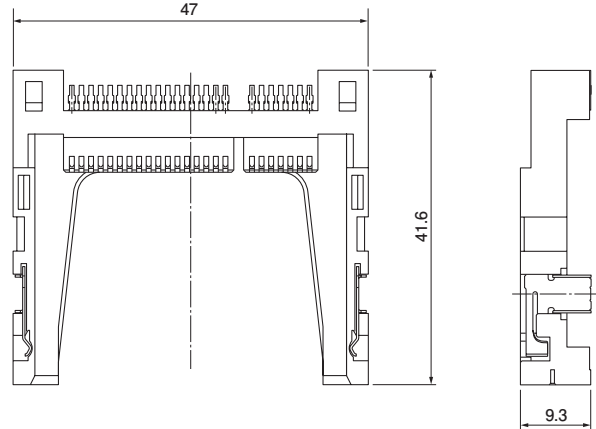
Host connector

Normal type

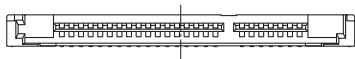
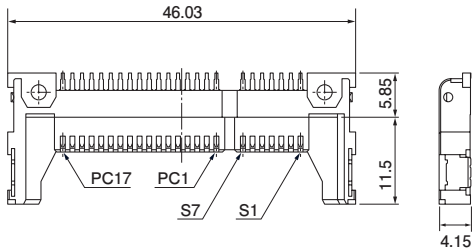
• Standoff 0 mm (With boss)



• Standoff 3 mm (Without boss)



• Standoff 0 mm (Without boss)



No. of circuits	Standoff	Boss presence / absence	Model No.	Q'ty	Material and Finish
24	0 mm	With boss	CFF-HC24S-S352-N120T	700 (reel)	Contact: Copper alloy, nickel-undercoated, Mating part: gold-plated Solder tail: tin-plated (reflow treatment) Reinforcing tab: Copper alloy, nickel-undercoated, tin-plated (reflow treatment) Housing: Plastic, UL94V-0, black
		Without boss	CFF-HC24S-S352-N120T1	100 (reel)	
	3 mm	Without boss	CFF-HC24S-S352-N130T	700 (reel)	
		Without boss	CFF-HC24SG-S352-N133A	480 (box)	

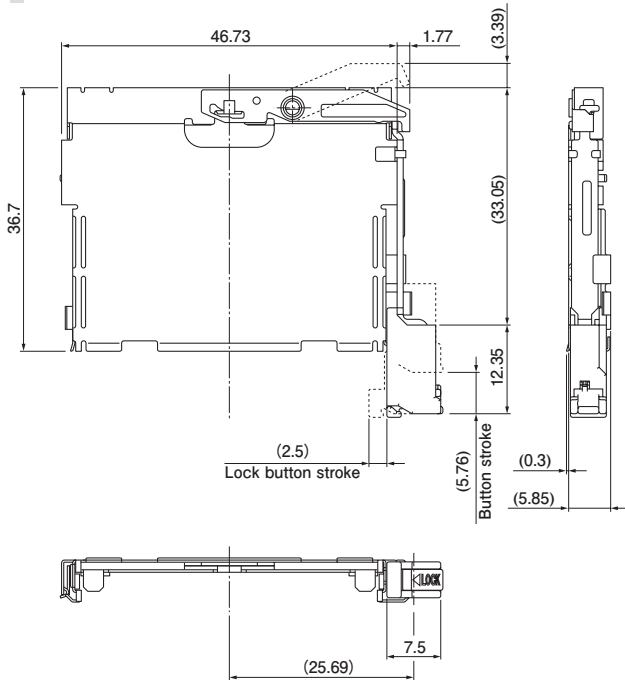
RoHS2 compliance This product displays (LF) (SN) on a label.

CFF CONNECTOR

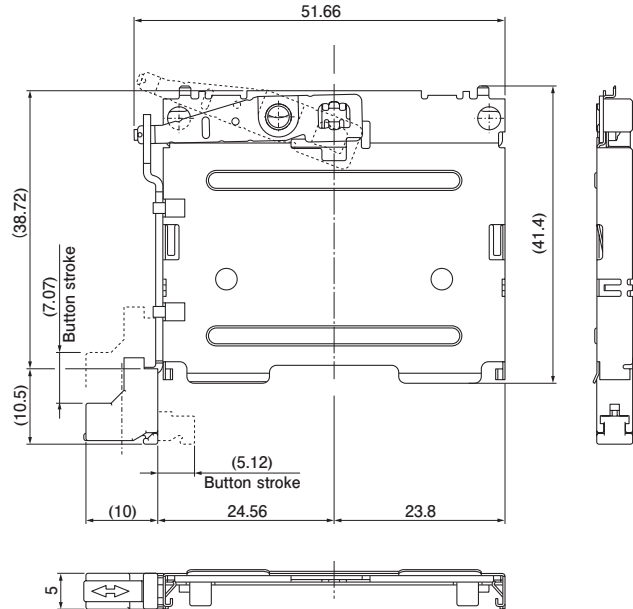
Ejector

Normal type

• Standoff 0 mm



• Standoff 3 mm

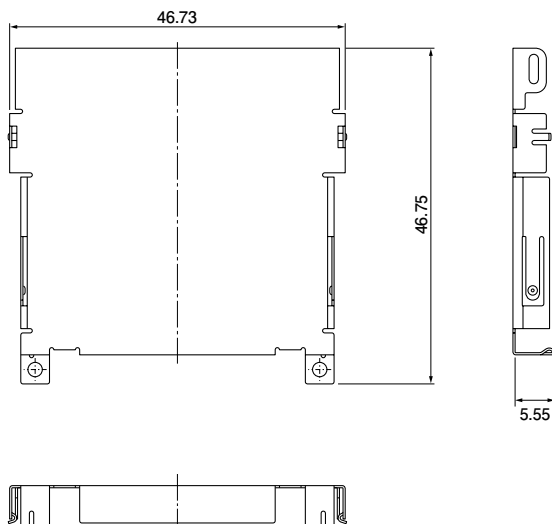


Standoff	Button position	Model No.	Q'ty/box	Material and Finish
0 mm	Right button	CFF-EP2R-NS11B	630	Frame: Stainless steel Standoff 0 mm type...Solder tail: tin-plated (reflow treatment) Push button: Plastic, UL94HB, black Lock button: Plastic, UL94HB, gray
		CFF-EP2R-NS11BR1	105	
3 mm	Left button	CFF-EP2L-NL10B	528	

RoHS2 compliance Standoff 0 mm type product displays (LF) (SN) on a table.

Hold cover

Normal type



Standoff	GND spring	Model No.	Q'ty/box
0 mm	With GND spring	CFF-NE2-NS1CR1	120

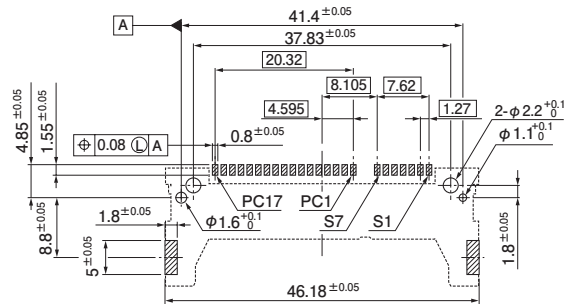
Material and Finish

Frame: Stainless steel

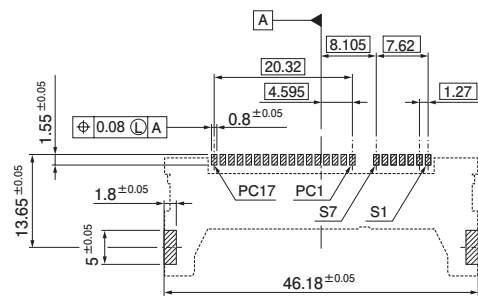
RoHS2 compliance

Host connector PC board layout

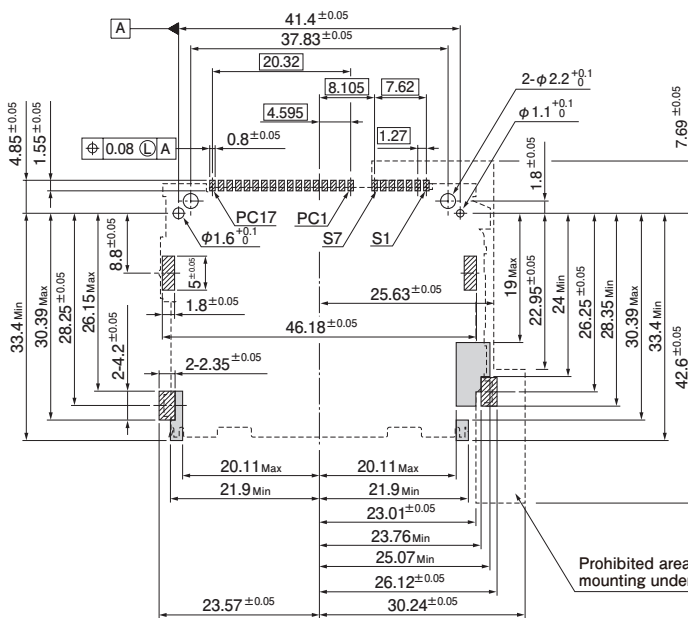
• Standoff 0 mm (With boss)



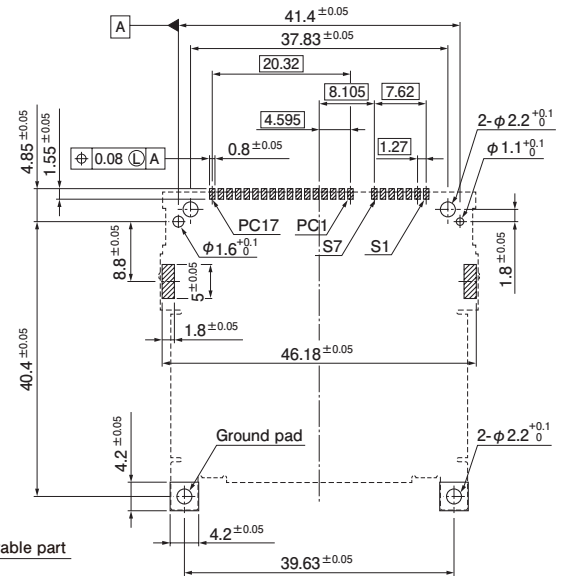
• Standoff 0 mm (Without boss)



• Ejector Standoff 0 mm (With boss)

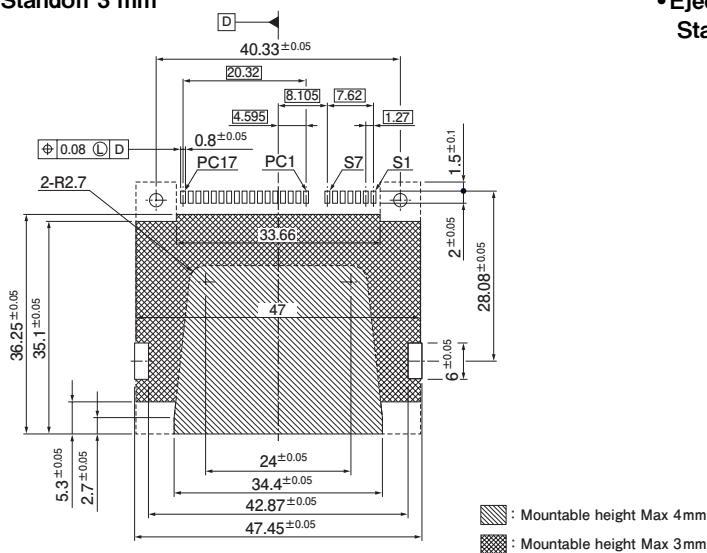


• Hold cover Standoff 0 mm (Without boss)



□ : Pattern and via hole prohibition area

• Standoff 3 mm



• Ejector Standoff 3 mm

