

ME 17,5 OT-FKDSO KMGY - Upper part of housing



2200322

<https://www.phoenixcontact.com/us/products/2200322>

Please be informed that the data shown in this PDF document is generated from our Online Catalog. Please find the complete data in the user documentation. Our General Terms of Use for Downloads are valid.

DIN rail housing, Upper housing part for PCB terminal blocks with Push-in spring connection, width: 17.6 mm, height: 99 mm, depth: 45.85 mm, color: light grey (7035)



Your advantages

- Tool-free mounting
- Available in overall widths from 12.5 mm to 90 mm, modular extension possible
- Flammability rating V0 in accordance with UL 94
- Variety of connection technology
- Can be mounted on the DIN rail
- With integrated or DIN-rail-mountable bus connector as an option

Commercial Data

Item number	2200322
Packing unit	1 pc
Minimum order quantity	10 pc
Sales Key	AC08
Product Key	ACHAAD
Catalog Page	Page 670 (C-1-2013)
GTIN	4046356563871
Weight per Piece (including packing)	11.49 g
Weight per Piece (excluding packing)	11.49 g
Customs tariff number	85389099
Country of origin	DE

ME 17,5 OT-FKDSO KMGY - Upper part of housing

2200322

<https://www.phoenixcontact.com/us/products/2200322>

Technical Data

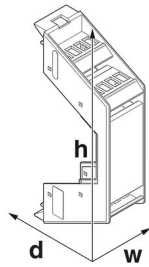
Notes

General	Refer to the data sheet for the range in the download area.
---------	---

Product properties

Product type	Upper housing part
Product family	ME...OT-FKDSO
Max. number of positions	16 (pitch: 3.5 mm) 12 (pitch: 5 mm)
Type	Upper housing part for PCB terminal blocks with Push-in spring connection
Housing type	DIN rail housing
Ventilation openings present	no
Housing series	ME

Dimensions

Dimensional drawing	
Width	17.6 mm
Height	99 mm
Depth	45.85 mm
Depth from base support surface	38.5 mm

PCB design

PCB thickness	1.4 mm ... 1.8 mm
---------------	-------------------

Material specifications

Color	light grey (7035)
Flammability rating according to UL 94	V0
CTI according to IEC 60112	600
Surface characteristics	untreated
Housing material	Polyamide

Environmental and real-life conditions

Vibration test

Specification	IEC 60068-2-6:2007-12
Frequency	10 - 150 - 10 Hz

ME 17,5 OT-FKDSO KMGY - Upper part of housing



2200322

<https://www.phoenixcontact.com/us/products/2200322>

Sweep speed	1 octave/min
Amplitude	0.15 mm (10 Hz ... 58.1 Hz)
Acceleration	2g (58.1 Hz ... 150 Hz)
Test duration per axis	2.5 h
Test directions	X-, Y- and Z-axis

Glow-wire test

Specification	IEC 60695-2-11:2014-02
Temperature	850 °C
Time of exposure	30 s

Thermal stability / ball thrust test

Specification	IEC 60695-10-2:2014-02
Temperature	125 °C
Test duration	1 h
Force	20 N

Mechanical strength / tumbling barrel

Specification	IEC 60998-1:2002-12
Height of fall	50 cm
Frequency	10

Shocks

Specification	IEC 60068-2-27:2008-02
Pulse shape	Half-sine
Acceleration	15g
Shock duration	11 ms
Number of shocks per direction	3
Test directions	X-, Y- and Z-axis (pos. and neg.)

Degree of protection (IP code)

Specification	IEC 60529:1989-11 + AMD 1:1999-11 + AMD 2:2013-08
---------------	---

Ambient conditions

Max. IP code to attain	IP20
Ambient temperature (operation)	-40 °C ... 105 °C (depending on power dissipation)
Ambient temperature (storage/transport)	-40 °C ... 55 °C
Ambient temperature (assembly)	-5 °C ... 100 °C
Relative humidity (storage/transport)	80 %

PCB data

Number of PCB holders	1
Type of PCB mount	Slot
Thickness of the PCB	1.4 mm ... 1.8 mm

Mounting

Mounting type	Latching with lower housing part
---------------	----------------------------------

ME 17,5 OT-FKDSO KMGY - Upper part of housing

2200322

<https://www.phoenixcontact.com/us/products/2200322>



Mounting position

Vertical (horizontal DIN rail)

ME 17,5 OT-FKDSO KMGY - Upper part of housing

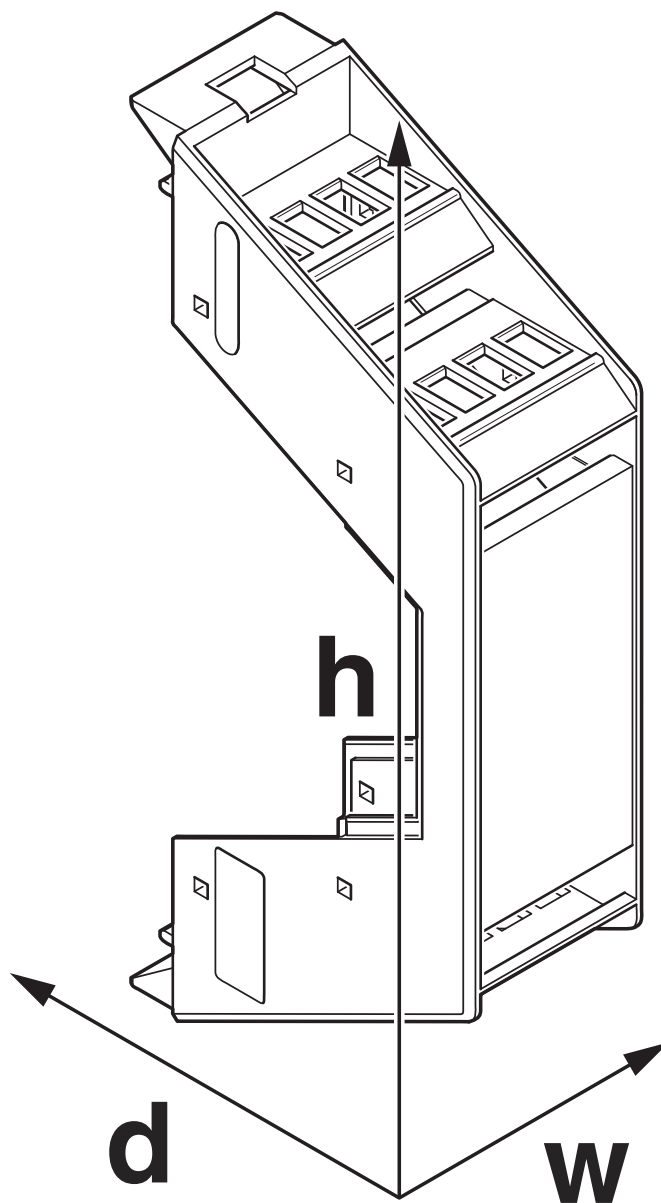
2200322

<https://www.phoenixcontact.com/us/products/2200322>



Drawings

Dimensional drawing



Schematic figure for illustrating the item dimensions. The figure is not of the desired product. For further details, refer to the product drawings in the "Downloads" tab.

ME 17,5 OT-FKDSO KMGY - Upper part of housing



2200322

<https://www.phoenixcontact.com/us/products/2200322>

Approvals

To download certificates, visit the product detail page: <https://www.phoenixcontact.com/us/products/2200322>



UL Recognized

Approval ID: FILE E 240868

ME 17,5 OT-FKDSO KMGY - Upper part of housing



2200322

<https://www.phoenixcontact.com/us/products/2200322>

Classifications

ECLASS

ECLASS-11.0	27182702
ECLASS-13.0	27190603

ETIM

ETIM 8.0	EC001031
----------	----------

UNSPSC

UNSPSC 21.0	31261500
-------------	----------

ME 17,5 OT-FKDSO KMGY - Upper part of housing



2200322

<https://www.phoenixcontact.com/us/products/2200322>

Environmental Product Compliance

China RoHS	Environmentally friendly use period: unlimited = EFUP-e
	No hazardous substances above threshold values

ME 17,5 OT-FKDSO KMGY - Upper part of housing

2200322

<https://www.phoenixcontact.com/us/products/2200322>

Mandatory Accessories

FKDSO 2,5/ 3-R KMGY - PCB terminal block

2200317

<https://www.phoenixcontact.com/us/products/2200317>



PCB terminal block, nominal current: 22 A, rated voltage (III/2): 250 V, nominal cross section: 2.5 mm², number of potentials: 3, number of rows: 1, number of positions per row: 3, product range: FKDSO 2,5/...-R, pitch: 5 mm, connection method: Push-in spring connection, mounting: Wave soldering, conductor/PCB connection direction: 0 °, color: light grey, Pin layout: Linear pinning, Solder pin [P]: 3.5 mm, number of solder pins per potential: 1, type of packaging: packed in cardboard. Product with pin output on right side

FKDSO 2,5/ 3-L KMGY - PCB terminal block

2200318

<https://www.phoenixcontact.com/us/products/2200318>



PCB terminal block, nominal current: 22 A, rated voltage (III/2): 250 V, nominal cross section: 2.5 mm², number of potentials: 3, number of rows: 1, number of positions per row: 3, product range: FKDSO 2,5/...-L, pitch: 5 mm, connection method: Push-in spring connection, mounting: Wave soldering, conductor/PCB connection direction: 0 °, color: light grey, Pin layout: Linear pinning, Solder pin [P]: 3.5 mm, number of solder pins per potential: 1, type of packaging: packed in cardboard. Product with pin output on left side

Accessories

ME 17,5 OT-FKDSO KMGY - Upper part of housing

2200322

<https://www.phoenixcontact.com/us/products/2200322>



ME B-17,5 FKDSO KMGY - Filler plugs

2200566

<https://www.phoenixcontact.com/us/products/2200566>



DIN rail housing, Filler plug for unoccupied terminal points (FKDSO), width: 16.1 mm, height: 16.9 mm, depth: 11.85 mm, color: light grey (7035)

HS LC-H-D3/ R1XC1 - Fiber optic

2202313

<https://www.phoenixcontact.com/us/products/2202313>



Multiple light guides, passive, rigid, can be used for the ME, ME-MAX, ME-IO, ME PLC, and EH housing ranges (housing must be processed)

ME 17,5 OT-FKDSO KMGY - Upper part of housing



2200322

<https://www.phoenixcontact.com/us/products/2200322>

HS LC-H-5X2/ R1XC1 - Fiber optic

2202314

<https://www.phoenixcontact.com/us/products/2202314>

Single light guide, passive, rigid, can be used for the ME, ME-MAX, ME-IO, ME PLC, and EH housing ranges (housing must be processed)



HS LC-H-D3/ R2XC1-5,08 - Fiber optic

2202315

<https://www.phoenixcontact.com/us/products/2202315>

Multiple light guides, passive, rigid, can be used for the ME, ME-MAX, ME-IO, ME PLC, and EH housing ranges (housing must be processed)



ME 17,5 OT-FKDSO KMGY - Upper part of housing

2200322

<https://www.phoenixcontact.com/us/products/2200322>

HS LC-H-D2/ R2XC1-2,54 - Fiber optic

2202316

<https://www.phoenixcontact.com/us/products/2202316>



Multiple light guides with glare protection, passive, rigid, can be used for the ME, ME-MAX, ME-IO, ME PLC, and EH housing ranges (housing must be processed)

HS LC-H-D2/ R2XC2-2,54 - Fiber optic

2202317

<https://www.phoenixcontact.com/us/products/2202317>



Multiple light guides with glare protection, passive, rigid, can be used for the ME, ME-MAX, ME-IO, ME PLC, and EH housing ranges (housing must be processed)

ME 17,5 OT-FKDSO KMGY - Upper part of housing



2200322

<https://www.phoenixcontact.com/us/products/2200322>

HS LC-H-D2/ R2XC5-2,54 - Fiber optic

2202318

<https://www.phoenixcontact.com/us/products/2202318>

Multiple light guides with glare protection, passive, rigid, can be used for the ME, ME-MAX, ME-IO, ME PLC, and EH housing ranges (housing must be processed)



HS LC-H-D2/ R2XC10-2,54 - Fiber optic

2202319

<https://www.phoenixcontact.com/us/products/2202319>

Multiple light guides with glare protection, passive, rigid, can be used for the ME, ME-MAX, ME-IO, ME PLC, and EH housing ranges (housing must be processed)



Phoenix Contact 2023 © - all rights reserved
<https://www.phoenixcontact.com>

Phoenix Contact USA
586 Fulling Mill Road
Middletown, PA 17057, United States
(+717) 944-1300
info@phoenixcon.com