

MSTBC-MT 0,5-1,0 BA - Crimp contact



3190645

<https://www.phoenixcontact.com/us/products/3190645>

Please be informed that the data shown in this PDF document is generated from our Online Catalog. Please find the complete data in the user documentation. Our General Terms of Use for Downloads are valid.



Module female contact, is inserted into the MSTBC connector shell after the conductor has been crimped, for conductors from 0.5 - 1.0 mm², ribbon contact

Commercial Data

| | |
|--------------------------------------|---------------------|
| Item number | 3190645 |
| Packing unit | 1 pc |
| Minimum order quantity | 4,000 pc |
| Sales Key | AA03 |
| Product Key | AACCEG |
| Catalog Page | Page 827 (C-1-2013) |
| GTIN | 4017918117436 |
| Weight per Piece (including packing) | 0.69 g |
| Weight per Piece (excluding packing) | 0.7 g |
| Customs tariff number | 85366990 |
| Country of origin | CZ |

MSTBC-MT 0,5-1,0 BA - Crimp contact



3190645

<https://www.phoenixcontact.com/us/products/3190645>

Technical Data

Mounting

| | |
|-------------------|------------------|
| Connection method | Crimp connection |
|-------------------|------------------|

Product properties

| | |
|----------------|---------------|
| Product type | Crimp contact |
| Product family | MSTBC-MT |
| Pitch | 0 mm |

Connection data

| | |
|-------------------------|------------------|
| Connection method | Crimp connection |
| Contact connection type | Female connector |
| Stripping length | 4 mm ... 4.1 mm |

Material specifications

| | |
|--------------------------|--------|
| Contact surface | Tin Sn |
| Contact surface material | Tin |

Dimensions

| | |
|---------------------|------|
| Dimensional drawing | |
| Pitch | 0 mm |

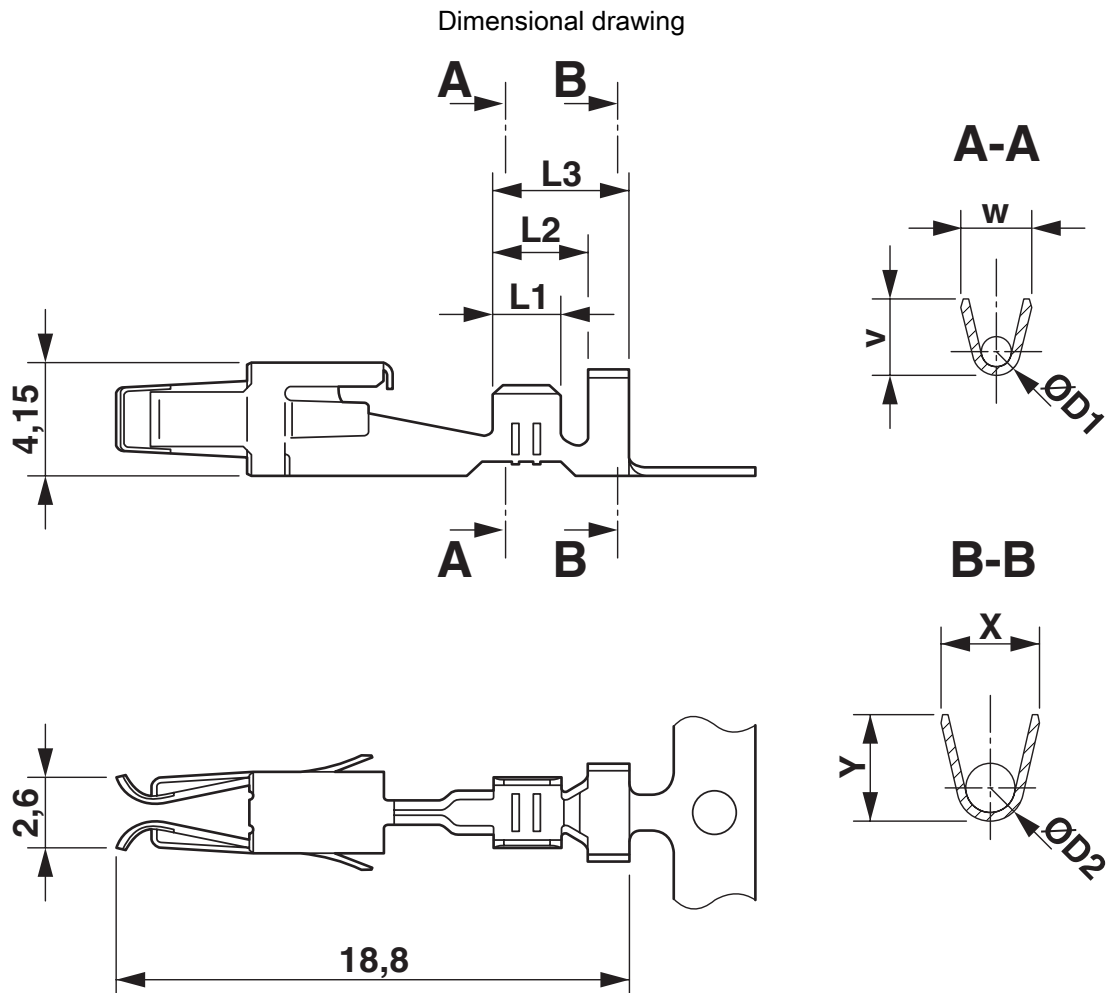
MSTBC-MT 0,5-1,0 BA - Crimp contact



3190645

<https://www.phoenixcontact.com/us/products/3190645>

Drawings



MSTBC-MT 0,5-1,0 BA - Crimp contact



3190645

<https://www.phoenixcontact.com/us/products/3190645>

Classifications

ECLASS

| | |
|-------------|----------|
| ECLASS-11.0 | 27460403 |
| ECLASS-12.0 | 27460403 |
| ECLASS-13.0 | 27460403 |

ETIM

| | |
|----------|----------|
| ETIM 8.0 | EC000796 |
|----------|----------|

UNSPSC

| | |
|-------------|----------|
| UNSPSC 21.0 | 39121500 |
|-------------|----------|

MSTBC-MT 0,5-1,0 BA - Crimp contact



3190645

<https://www.phoenixcontact.com/us/products/3190645>

Environmental Product Compliance

| | |
|------------|---|
| China RoHS | Environmentally friendly use period: unlimited = EFUP-e |
| | No hazardous substances above threshold values |

MSTBC-MT 0,5-1,0 BA - Crimp contact



3190645

<https://www.phoenixcontact.com/us/products/3190645>

Accessories

MSTBC 2,5/ 2-ST-5,08 - PCB connector

1808816

<https://www.phoenixcontact.com/us/products/1808816>

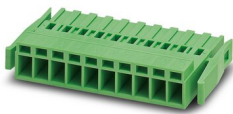


PCB connector, nominal cross section: 2.5 mm², color: green, nominal current: 12 A, rated voltage (III/2): 320 V, contact connection type: Socket, number of potentials: 2, number of rows: 1, number of positions: 2, number of connections: 2, product range: MSTBC 2,5/..-ST, pitch: 5.08 mm, connection method: Crimp connection, conductor/PCB connection direction: 0 °, locking clip: - Locking clip, plug-in system: COMBICON MSTB 2,5, locking: without, mounting: without, type of packaging: packed in cardboard, Corresponding female crimp contacts with current [A] and conductor cross section range [mm²] data: 10A/MSTBC-MT 0,5-1,0 (3190564); 10A/MSTBC-MT 0,5-1,0 BA (3190645); 12A/MSTBC-MT 1,5-2,5 (3190551); 12A/MSTBC-MT 1,5-2,5 BA (3190658). BA = Bandkontakte

MSTBC 2,5/ 2-STZ-5,08-R - PCB connector

1809048

<https://www.phoenixcontact.com/us/products/1809048>



PCB connector, nominal cross section: 2.5 mm², color: green, nominal current: 12 A, rated voltage (III/2): 320 V, contact connection type: Socket, number of potentials: 2, number of rows: 1, number of positions: 2, number of connections: 2, product range: MSTBC 2,5/..-STZ-RF, pitch: 5.08 mm, connection method: Crimp connection, conductor/PCB connection direction: 0 °, locking clip: - without locking clip, plug-in system: COMBICON MSTB 2,5, locking: Snap-in locking, mounting: Self-locking flange, type of packaging: packed in cardboard, Corresponding female crimp contacts with current [A] and conductor cross section range [mm²] data: 10A/MSTBC-MT 0,5-1,0 (3190564); 10A/MSTBC-MT 0,5-1,0 BA (3190645); 12A/MSTBC-MT 1,5-2,5 (3190551); 12A/MSTBC-MT 1,5-2,5 BA (3190658). BA = Bandkontakte

MSTBC-MT 0,5-1,0 BA - Crimp contact



3190645

<https://www.phoenixcontact.com/us/products/3190645>

MSTBC 2,5/ 2-STZ-5,08 - PCB connector

1809501

<https://www.phoenixcontact.com/us/products/1809501>



PCB connector, nominal cross section: 2.5 mm², color: green, nominal current: 12 A, rated voltage (III/2): 320 V, contact connection type: Socket, number of potentials: 2, number of rows: 1, number of positions: 2, number of connections: 2, product range: MSTBC 2,5/..-STZ, pitch: 5.08 mm, connection method: Crimp connection, conductor/PCB connection direction: 0 °, locking clip: - Locking clip, plug-in system: COMBICON MSTB 2,5, locking: without, mounting: without, type of packaging: packed in cardboard, Corresponding female crimp contacts with current [A] and conductor cross section range [mm²] data: 10A/MSTBC-MT 0,5-1,0 (3190564); 10A/MSTBC-MT 0,5-1,0 BA (3190645); 12A/MSTBC-MT 1,5-2,5 (3190551); 12A/MSTBC-MT 1,5-2,5 BA (3190658). BA = Bandkontakte

MSTBC 2,5/ 2-STZF-5,08 - PCB connector

1809734

<https://www.phoenixcontact.com/us/products/1809734>



PCB connector, nominal cross section: 2.5 mm², color: green, nominal current: 12 A, rated voltage (III/2): 320 V, contact connection type: Socket, number of potentials: 2, number of rows: 1, number of positions: 2, number of connections: 2, product range: MSTBC 2,5/..-STZF, pitch: 5.08 mm, connection method: Crimp connection, conductor/PCB connection direction: 0 °, locking clip: - without locking clip, plug-in system: COMBICON MSTB 2,5, locking: Screw locking, mounting: Screw flange, type of packaging: packed in cardboard, Corresponding female crimp contacts with current [A] and conductor cross section range [mm²] data: 10A/MSTBC-MT 0,5-1,0 (3190564); 10A/MSTBC-MT 0,5-1,0 BA (3190645); 12A/MSTBC-MT 1,5-2,5 (3190551); 12A/MSTBC-MT 1,5-2,5 BA (3190658). BA = Bandkontakte

Phoenix Contact 2023 © - all rights reserved
<https://www.phoenixcontact.com>

Phoenix Contact USA
586 Fulling Mill Road
Middletown, PA 17057, United States
(+717) 944-1300
info@phoenixcon.com