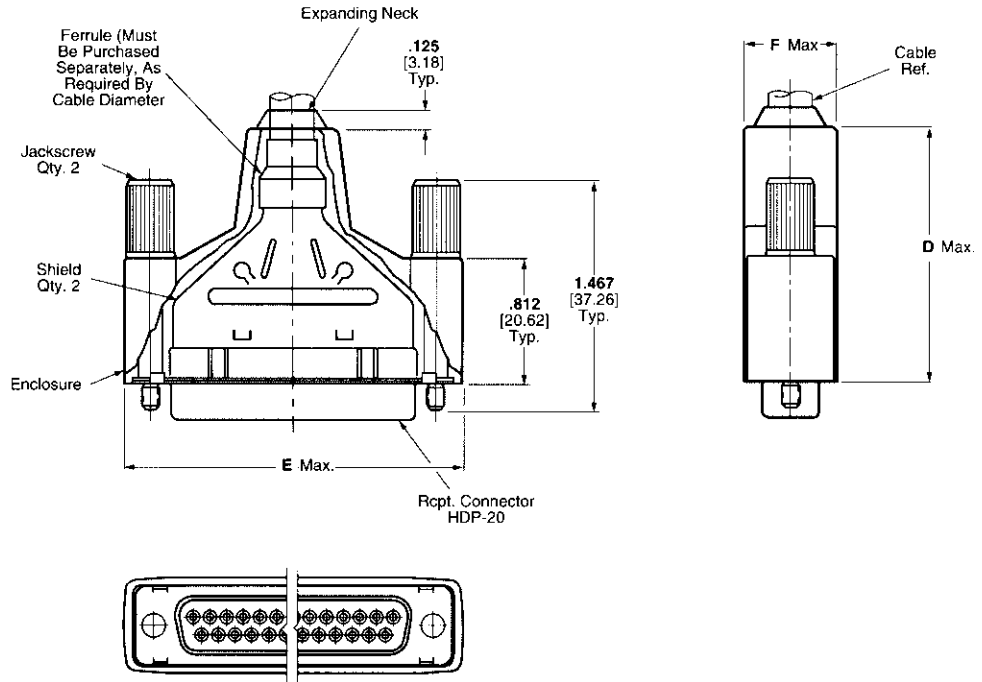
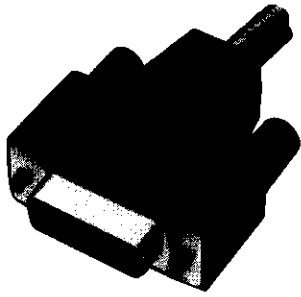


**HDP-20 Shielding Hardware Enclosure Kits (Continued)**

**Receptacle**



Cable Connectors

Shell Size	No. of Contact Positions	Dimensions			Recommended Cable Outer Diameter Range	Max. Inner Cable Bundle Dia.†	Insert Material	Kit Numbers		Shielding Enclosure Expansion Tool	
		D	E	F				Plug	Receptacle	Cable O.D. (Max.)	Part Number
1	9	1.660 42.16	1.355 34.42	.630 16.00	.190-.330 4.83-8.38	.330 8.38	94V-0	747952-1	747951-1	.330 8.38	58241-4
2	15	1.660 42.16	1.685 42.80	.630 16.00	.190-.330 4.83-8.38	.330 8.38	94V-0	747954-1	747953-1	.450 11.43	58241-1
3	25	1.660 42.16	2.210 56.13	.630 16.00	.217-.435 5.51-11.05	.350 8.89	94V-0	747956-1	747955-1	.572 14.52	58241-2
4	37	2.010 51.05	2.865 72.77	.730 18.54	.338-.562 8.59-14.28	.450 11.43	94V-0	747958-1	747957-1		
5	50	2.010 51.05	2.775 70.49	.730 18.54	.338-.562 8.59-14.28	.450 11.43	94V-0	747960-1	747959-1		

**Notes:** 1. Plugs accept size 20 DF pin contacts and receptacles accept size 20 DF socket contacts.  
 2. Components of the kits are shipped unassembled and bulk-packaged in quantities of 100 pieces.  
 †Maximum cable diameter after jacket and braid removed.