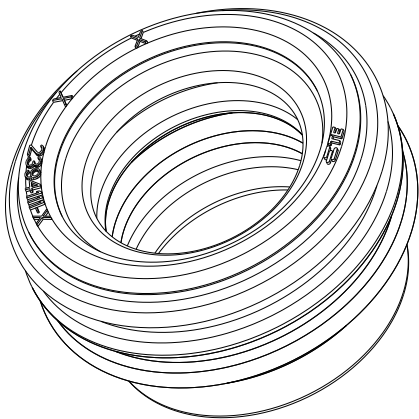
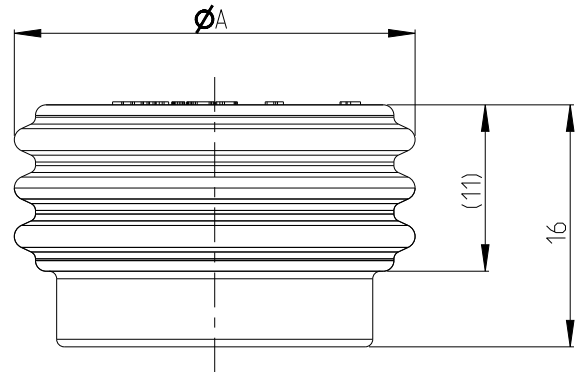
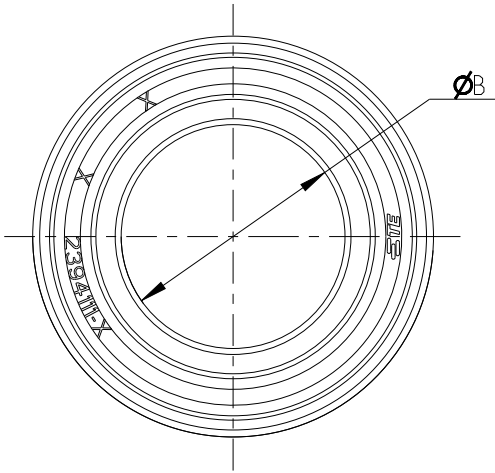


REVISIONS

P	LTR	DESCRIPTION	DATE	DWN	APVD
	A	INITIAL DRAWING	26AUG2021	S.T	I.Y



1 MATERIAL: SILICONE RUBBER
COLOR: SEE TABLE

2. LOOSE PIECE PACKED INTO AIR TIGHT POLYETHYLENE PACKET

© 2021 TE Connectivity. All Rights Reserved.

2394111-3	Ø26.5	Ø14.8	CABLE SEAL - 70	1	YELLOW	16.7	17.3
2394111-2	Ø26.5	Ø13.0	CABLE SEAL - 50	1	GREEN	14.6	15.2
2394111-1	Ø26.5	Ø10.7	CABLE SEAL - 35	1	BLUE	12.4	13.0
PART NO.	DIA.A	DIA.B	DESCRIPTION	MATERIAL	COLOR	MIN	MAX
						CABLE O.D.	

DIMENSIONS:		DWN	26AUG2021	MATERIAL	1	FINISH	
mm		S.T					
TOLERANCES UNLESS OTHERWISE SPECIFIED:		CHK	26AUG2021				
±0.5		J.L		NAME			
0 PLC ±		APVD	26AUG2021	SWS			
1 PLC ±0.1		I.Y		HVP-HD1000			
2 PLC ±0.01		PRODUCT SPEC		SIZE	CAGE CODE	DRAWING NO	RESTRICTED TO
3 PLC ±0.001		118-160341		A 4	00779	C=2394111	-
4 PLC ±0.0001		APPLICATION SPEC					
ANGLES ±		114-160182					
		WEIGHT					
CUSTOMER DRAWING				SCALE	2:1	SHEET	1 OF 1
				REV			
				A			