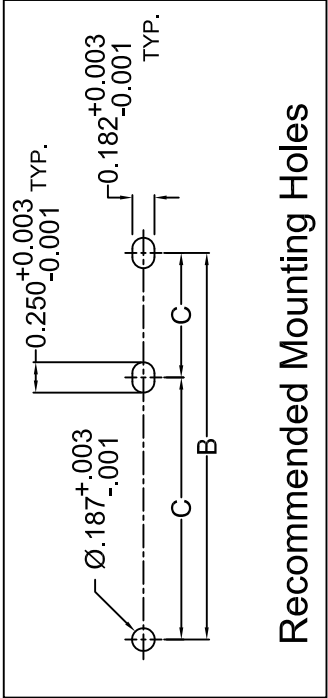
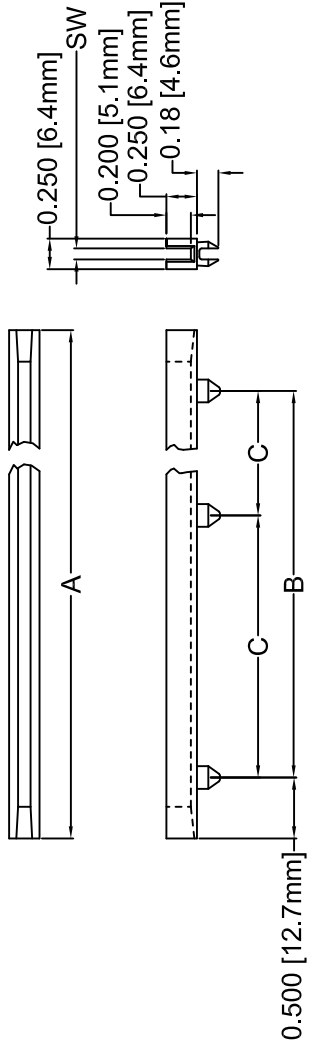


REV. NO.		DESCRIPTION	DATE	APPROVED
B		Engineering Update w/o Changes	02/26/04	M. C.
C		Removed Material Information in Note 2	06/24/11	T. Y.
D		12 Additional Lengths Added	03/28/13	T. Y.
E		Materials Update	07/10/14	J. C.
F		Engineering Update w/o Changes	05/13/16	J. C.
G		Changed Material to Halogen Free, ECO 1026	10/17/19	A. V.

PART NO.	A ±.062 (1.6)	B ±.032 (.8)	C ±.015 (.4)	S.W. ±.005 (.1)	PCB THICKNESS	DESC DWG. NO.
DC-250	2.5 (63.5)	1.5 (38.1)	--			84101-01
DC-400	4.0 (101.6)	3.0 (76.2)	--			--
DC-450	4.5 (114.3)	3.5 (88.9)	--			84101-02
DC-500	5.0 (127.0)	4.0 (101.6)	--			--
DC-550	5.5 (139.7)	4.5 (114.3)	--	.080 (2.0)	1/16 (1.6)	84101-03
DC-600	6.0 (152.4)	5.0 (127.0)	--			--
DC-650	6.5 (165.1)	5.5 (139.7)	--			--
DC-700	7.0 (177.8)	6.0 (152.4)	--			--
DC-750	7.5 (190.5)	6.5 (165.1)	--			--
DC-800	8.0 (203.2)	7.0 (177.8)	3.5 (88.9)			84101-04
DC-400-102	4.0 (101.6)	3.0 (76.2)	--			--
DC-450-102	4.5 (114.3)	3.5 (88.9)	--			--
DC-500-102	5.0 (127.0)	4.0 (101.6)	--	.102 (2.6)	3/32 (2.4)	--
DC-550-102	5.5 (139.7)	4.5 (114.3)	--			--
DC-600-102	6.0 (152.4)	5.0 (127.0)	--			--
DC-650-102	6.5 (165.1)	5.5 (139.7)	--			--
DC-700-102	7.0 (177.8)	6.0 (152.4)	--			--
DC-750-102	7.5 (190.5)	6.5 (165.1)	--			--
DC-800-102	8.0 (203.2)	7.0 (177.8)	3.5 (88.9)			--
DC-450-130	4.5 (114.3)	3.5 (88.9)	--			84101-22
DC-600-130	6.0 (152.4)	5.0 (127.0)	--	.132 (3.4)	1/8 (3.2)	84101-23
DC-800-130	8.0 (203.2)	7.0 (177.8)	3.5 (88.9)			84101-24



Recommended Mounting Holes

STANDARD TOLERANCE
(UNLESS OTHERWISE SPECIFIED)

DECIMALS: .X ±.1, .XX ±.01, .XXX ±.005
ANGULAR: X° ± 1°

DESIGNED: **D. Green** DATE: **01/06/03**
REVISED: **TD. NGUYEN** DATE: **10/17/19**
CHECKED: **K. BARON** DATE: **10/18/19**

TITLE: **DEEP CHANNEL CARD GUIDE**
DRAWING NO: **DC-XXX-XXX** REVISION: **G**

CAGE CODE: **32559**
SHEET SIZE: **A**
SCALE: **NONE** SHEET # **1 OF 1**

BIVAR®
4 THOMAS, IRVINE, CA, 92618
TEL: (949) 951-8808 FAX: (949) 951-3974

2. MATERIAL: NYLON 66, 15% GLASS FILLED, 94V-0, HALOGEN FREE, BLACK.
1. GENERAL SPECIFICATIONS: BIVAR MOLDED COMPONENT SPECIFICATION BV00-E101.