



**SCHROFF**

Project - 0 item(s)

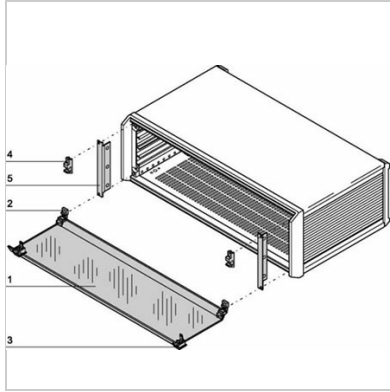
**MY PROJECT LIST**

- PRODUCTS
- APPLICATIONS
- INDUSTRIES
- NEW PRODUCTS
- CONFIGURATORS
- Products ▾
- Search

Home > Front hood 3 U

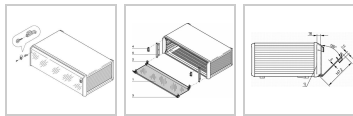
# Front hood 3 U

**SCHROFF**



1) Front panel

Other Views



**Catalog Number: 24576-083**

[Back To Product](#)

- Mounting of hinges at top or bottom
- Lock (max. 2) retrofittable
- From acrylic glass, hinged, removable
- Lateral cover (item 5) also serves as vertical EMC shielding of side panels

**Product family:**

PropacPRO

**Note:**

- Cannot be combined with design elements
- Other heights available on request
- Before assembly of hood feet must be fixed to case; please order separately

**Type:**

Individual Components

**Individual Component Type:**

Cover Plates, Hoods and Accessories

**Delivery Includes:**

kit



**Select product specifications before modifying or adding to project list or requesting a quote.**

Width-HP-defining

[Clear Selection](#)

Quantity

**Add Item to Project List +**

**Links**



Native CAD files

## Technical Data

<b>Qty</b>	PU 1 kit
<b>For case width</b>	84
<b>For case height [U]</b>	3
<b>Width HP</b>	84

## Delivery Comprises:

Item	Quantity	Description
1	1	Hood, PMMA, tinted blue grey, acrylic glass, 3 mm
2	2	Hinge, PC, UL 94 V-0, RAL 7016
3	2	Handle, PC, UL 94 V-0, RAL 7016
4	2	Retainer, UL 94 V-0, PC, RAL 7016
5	2	Lateral trim, Al extrusion, visible surface painted RAL 7016
6	1	Assembly kit

## Accessories



Lock for front hood, Locking cylinder, key,  
assembly kit, PU 1 kit

60850-  
171

[Add Item to Project List +](#)

---

**EXPLORE**

- [About Us](#)
- [Services & Capabilities](#)
- [News & Events](#)
- [Newsletter Subscriptions](#)
- [Strategic Partnerships](#)
- [Investor Relations](#)

**CONTACT**

- [Customer Service](#)
- [Find a Sales Office or Distributor](#)
- [Global Locations](#)
- [Product Compliance & Certifications](#)
- [Partner Login](#)

**DOWNLOAD**

- [Download Center](#)
- [Reference Projects](#)
- [Videos](#)
- [Product Configurators](#)
- [Warranties and Terms of Sale & Procurement](#)

© 2018 nVent. All rights reserved | [Privacy Policy](#) | [Terms of Use](#) | [Cookie Policy](#) | [Imprint](#) | [Site Map](#)

## Connect With Us

