

EM-MP 70 - Mounting panel



2942742

<https://www.phoenixcontact.com/us/products/2942742>

Please be informed that the data shown in this PDF document is generated from our Online Catalog. Please find the complete data in the user documentation. Our General Terms of Use for Downloads are valid.

Mounting panel, for screwing on size 0 switching devices



Commercial Data

Item number	2942742
Packing unit	1 pc
Minimum order quantity	1 pc
Sales Key	AC06
Product Key	ACGEAA
Catalog Page	Page 765 (C-1-2013)
GTIN	4017918099435
Weight per Piece (including packing)	31.3 g
Weight per Piece (excluding packing)	30.38 g
Customs tariff number	39269097
Country of origin	DE

EM-MP 70 - Mounting panel

2942742

<https://www.phoenixcontact.com/us/products/2942742>

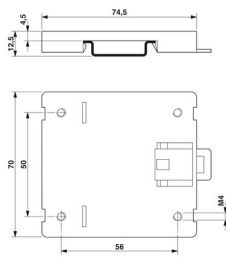


Technical Data

Product properties

Type	Flat version, 70 mm wide
Product type	Mounting material
Housing type	DIN rail adapter
Housing series	EM-MP

Dimensions

Dimensional drawing	
Width	70 mm
Length	74.5 mm

Material specifications

Color	green
Flammability rating according to UL 94	V2
Surface characteristics	untreated
Housing material	Polyamide fiber reinforced

Environmental and real-life conditions

Ambient conditions

Ambient temperature (operation)	-40 °C ... 105 °C
---------------------------------	-------------------

EM-MP 70 - Mounting panel

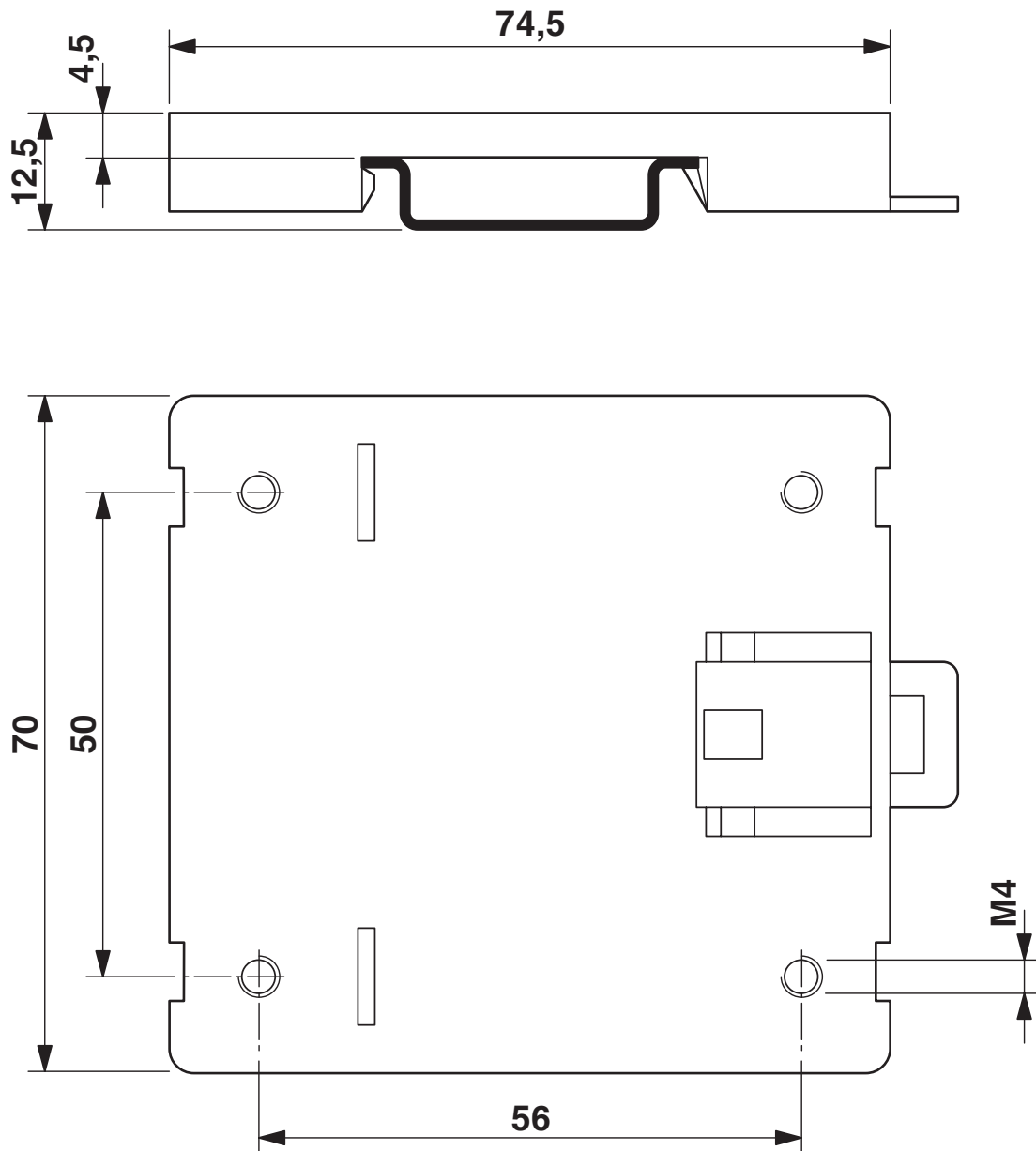


2942742

<https://www.phoenixcontact.com/us/products/2942742>

Drawings

Dimensional drawing



EM-MP 70 - Mounting panel

2942742

<https://www.phoenixcontact.com/us/products/2942742>



Classifications

ECLASS

ECLASS-11.0	27182702
ECLASS-13.0	27190605

ETIM

ETIM 8.0	EC001031
----------	----------

UNSPSC

UNSPSC 21.0	31261500
-------------	----------

EM-MP 70 - Mounting panel

2942742

<https://www.phoenixcontact.com/us/products/2942742>



Environmental Product Compliance

China RoHS	Environmentally friendly use period: unlimited = EFUP-e
	No hazardous substances above threshold values

Phoenix Contact 2023 © - all rights reserved
<https://www.phoenixcontact.com>

Phoenix Contact USA
586 Fulling Mill Road
Middletown, PA 17057, United States
(+717) 944-1300
info@phoenixcon.com