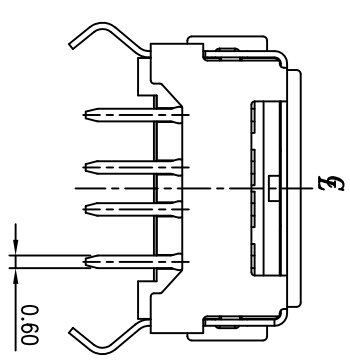
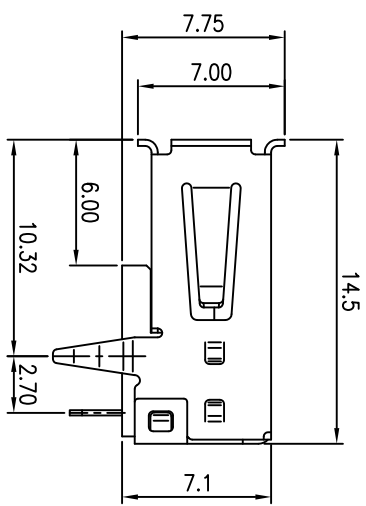
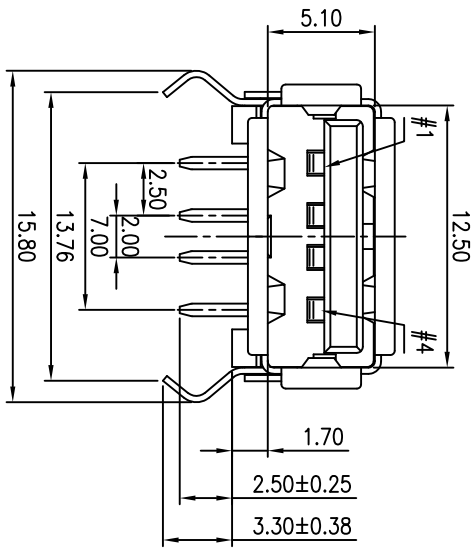
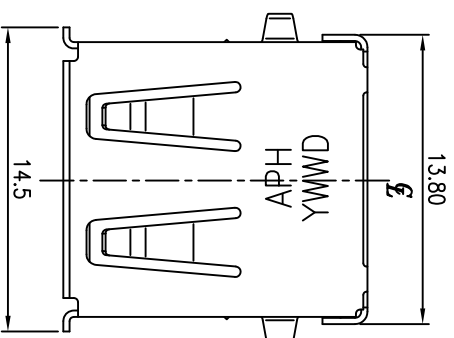
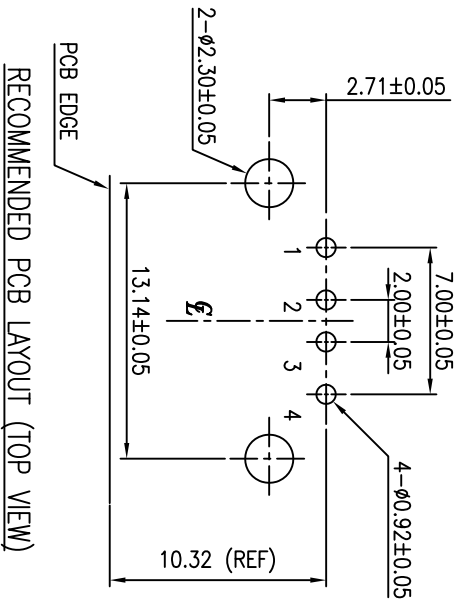


This document is the property of Amphenol Corporation and is delivered on the express condition that it is not to be disclosed, reproduced or used, in whole or in part, for manufacture or sale by anyone other than Amphenol Corporation without its prior consent, and that no right is granted to disclose or to use any information in this document. The marking on this product doesn't contain environmental hazardous materials per Material Specification SS-00259 for Sony GP compliant or per directive 2011/65/EU for RoHS compliant.



P/N: GSB121 X X RSKEU  
 CONTACT FINISH  
 1: GOLD FLASH  
 2: 30U" MIN. GOLD  
 COLOR OF INSULATOR  
 0: IVORY  
 1: BLACK



- NOTES:
- INSULATOR: HTN, UL 94V-0, COLOR OPTIONS.
  - CONTACT: COPPER ALLOY T=0.25mm, GOLD PLATED OPTION ON CONTACT AREA, 100μ" MIN TIN PLATED ON SOLDERING TAIL, 50μ" MIN. NICKEL UNDER PLATING OVERALL
  - SHELL: COPPER ALLOY T=0.30mm, 50μ" MIN. NICKEL PLATED
  - THIS PRODUCT DOESN'T CONTAIN ENVIRONMENTAL HAZARDOUS MATERIALS PER DIRECTIVE 2002/95/EC FOR RoHS.
  - PACKING MUST BE PER Amphenol PACKING SPECIFICATION PKS-0001

TOLERANCE	APPROVALS	DATE
X X.X X.XX X.XXX X.XXXX	DRAWN Debby Hung	12/07/2016
ANGULAR ±1°	CHECKED Roger Tsai	12/07/2016
UNLESS OTHERWISE SPECIFIED	APPROVED Arton Lin	12/07/2016
	DWG TYPE CUST DWG	PROJECT CODE OTHER

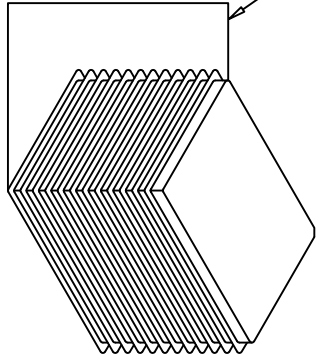
TITLE	UNIT	SCALE	SIZE	PART No.
UNIVERSAL SERIAL BUS RECEPTACLE, SERIES A STANDARD, RIGHT-ANGLE PCB MOUNT	mm	NA	A3	GSB121XXRSKEU
<b>Amphenol®</b>				
Amphenol Corporation Amphenol Taiwan Corporation				
				REV. D

SYM	EN No.	DESCRIPTION	DATE	APPROVED
A	NE-10192	RELEASE FOR ROHS	09/27/2006	Edward Wu
B	NE-11175	MODIFIED DRAWING	12/02/2010	Arton Lin
C	NE-11175	UPDATE DRAWING	12/06/2011	Arton Lin
D	NE-16283	ADD D/C	12/07/2016	Arton Lin

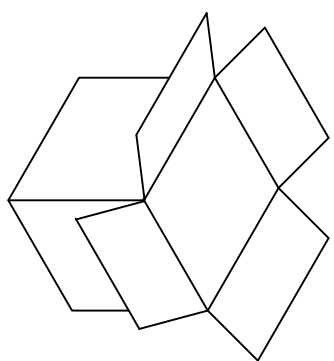
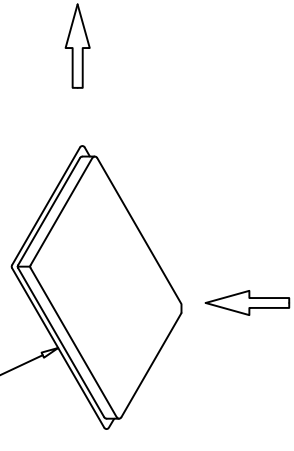
This document is the property of Amphenol Corporation and is delivered on the express condition that it is not to be disclosed, reproduced or used, in whole or in part, for manufacture or sale by anyone other than Amphenol Corporation without its prior consent, and that no right is granted to disclose or to use any information in this document. The marking on this product doesn't contain environmental hazardous materials per Material Specification SS-00259 for Sony GP compliant or per directive 2011/65/EU for RoHS compliant.

REVISIONS				
SYM	EDN No.	DESCRIPTION	DATE	APPROVED
A	NE-10192	RELEASE FOR ROHS	09/27/2008	Edward Wu
B	NE-11175	MODIFIED DRAWING	12/02/2010	Arton Lin
C	NE-11175	UPDATE DRAWING	12/06/2011	Arton Lin
D	NE-16283	ADD D/C	12/07/2016	Arton Lin

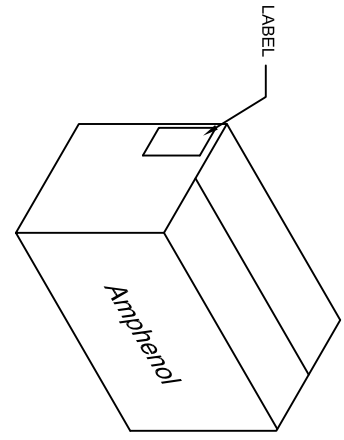
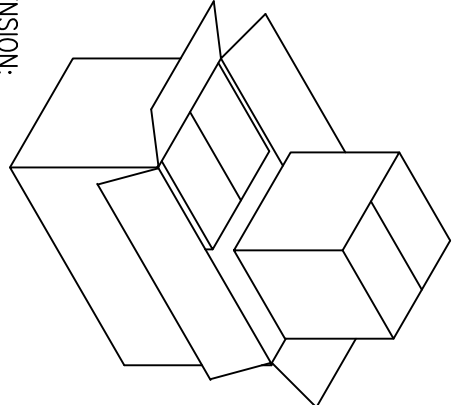
20 PCS  
TRAY/CARTON



TRAY DIMENSION:  
230.0 X 220.0 X 12.7 MM.



SHIPPING CARTON DIMENSION:  
520 X 273 X 310 MM.



TITLE	PCES/ TRAY	20 TRAYS/ BOX	2000x2=4000 QUANTITY (PCS)	12.2 G/W (Kg)	8.2 N/W (Kg)	GSB121XXRSKEU PART NUMBER
UNIVERSAL SERIAL BUS RECEPTACLE, SERIES A STANDARD, RIGHT-ANGLE PCB MOUNT	100	20	2000x2=4000	12.2	8.2	GSB121XXRSKEU

TOLERANCE	APPROVALS	DATE	UNIT	SIZE	PART No.
X X.X X.XX X.XXX X.XXX	DRAWN Debby Hung	12/07/2016	mm	A3	Amphenol Corporation
ANGULAR ±1°	CHECKED Roger Tsai	12/07/2016	SCALE NA	SHEET 2 OF 2	Amphenol Taiwan Corporation
UNLESS OTHERWISE SPECIFIED	APPROVED Arton Lin	12/07/2016	PROJECT CODE OTHER	DWG No. GSB121XXRSKEU	REV. D

