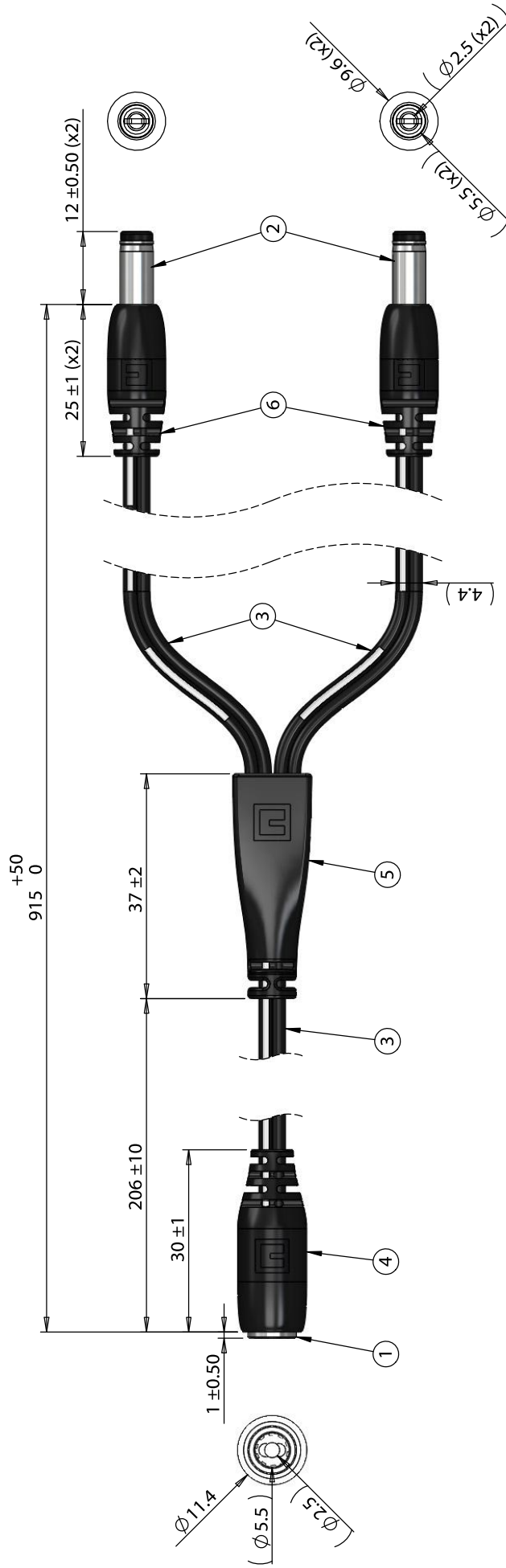


ITEM NO.	PART NUMBER	DESCRIPTION	QTY.	COMPONENT NOTES
1	50-00027	Connector, dc jack, 5.5x2.5xL17.4 mm, molding style	1	
2	50-00026	Connector, dc plug, 5.5x2.5xL23 mm, molding style, spring contacts	2	
3	30-00007	Wire, 2C BC, 18 AWG, UL2468, 300V, 80C, 4.4 mm, VW-1, PVC, 87A	3	
4	24-00004	Overmold, PVC	1	black
5	24-00195	Overmold, splitter, Ø 8.0 mm by 10.0x13.0 mm	1	black
6	24-00003	Overmold, PVC	2	black



Wiring Diagram		
50-00027	wire color	50-00026
center	black with stripe	center
sleeve	black	sleeve

Notes:
Functionally equivalent components may be substituted

Revision:	Date:	Description:	Prepared:	Notes:
A	4/13/2018	Initial release	<p>JP Digitally signed by JP Date: 2018.04.13 12:15:34 -07'00'</p> <p>GL Digitally signed by GL Date: 2018.04.16 11:51:50 -07'00'</p>	<p>RoHS compliant</p> <p>Function test: no open, no short circuit, no intermittent</p>
			<p>Dimensions are in millimeters.</p> <p>Tolerances: X: ± 0.5 mm X.X: ± 0.3 mm X.XX: ± 0.05 mm</p>	<p>Description: Cable, 915 mm, 5.5x2.5 mm 50-00027 dc jack to splitter to 2x 5.5x2.5x12 mm 50-00026 dc plug, 18 AWG</p>
			<p>Size: Part number: A 10-02761</p>	<p>tel 1.541.323.3228 800 877.670.7118 fax 1.541.323.4202 web tensility.com</p>
			Scale: 1:1	Sheet 1 of 1