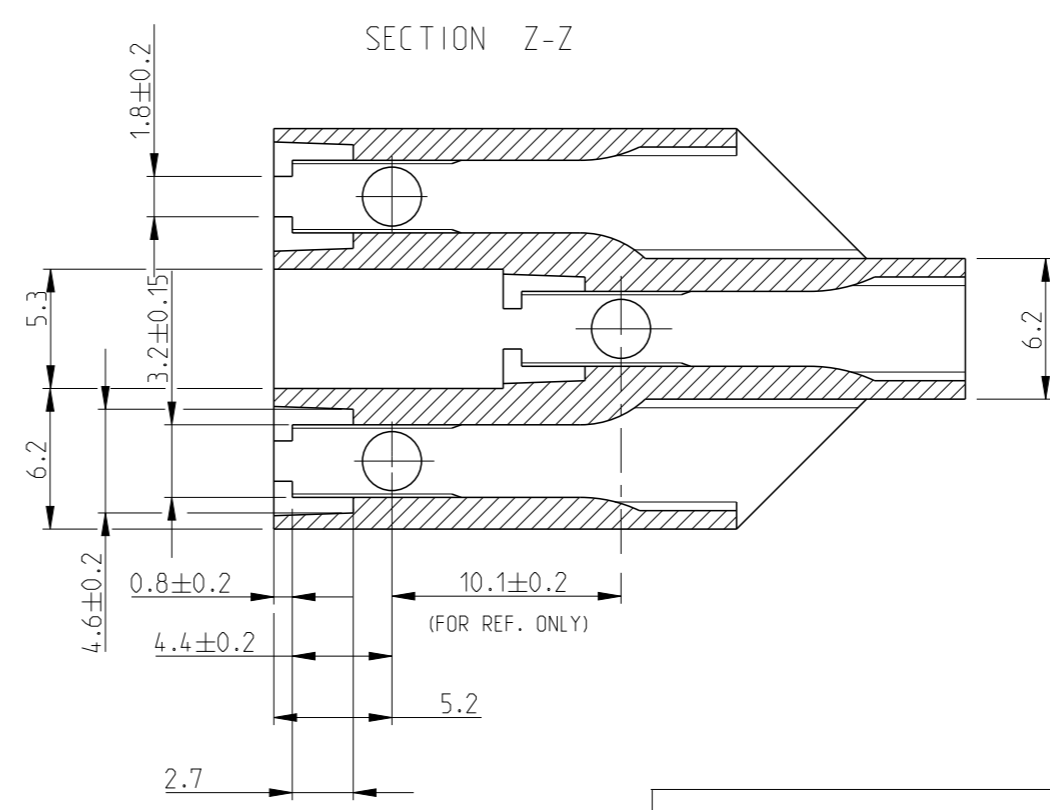
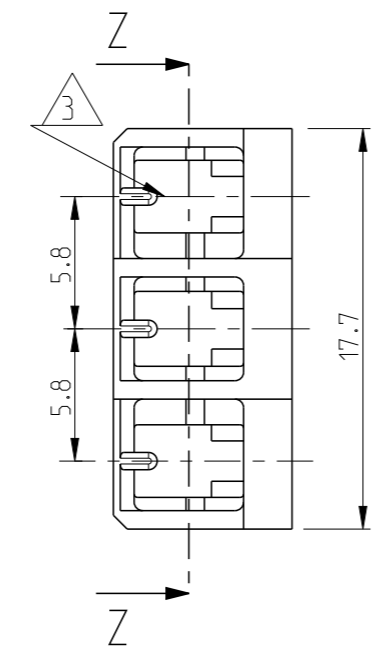
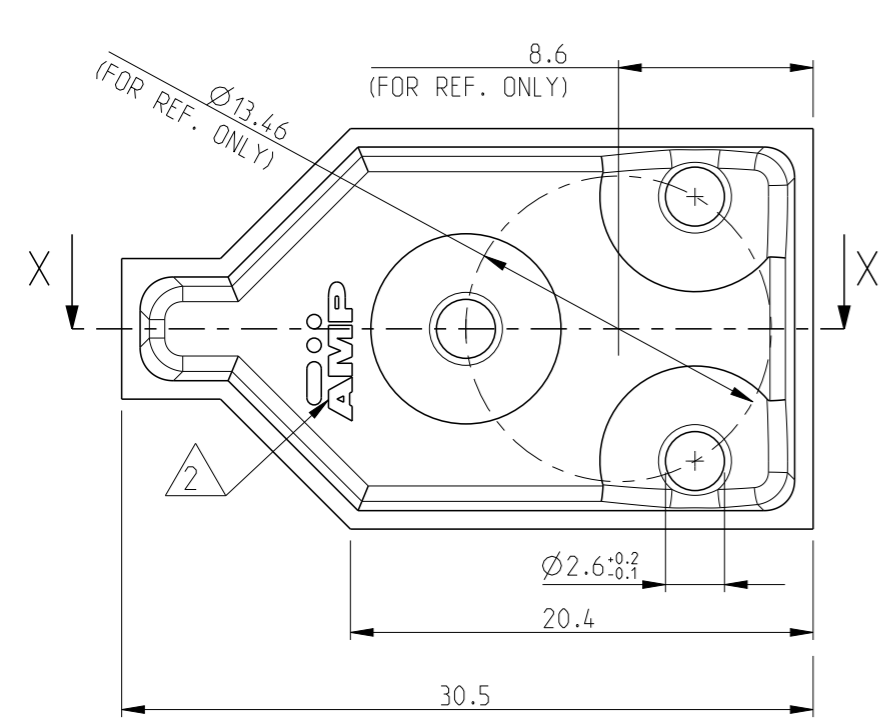
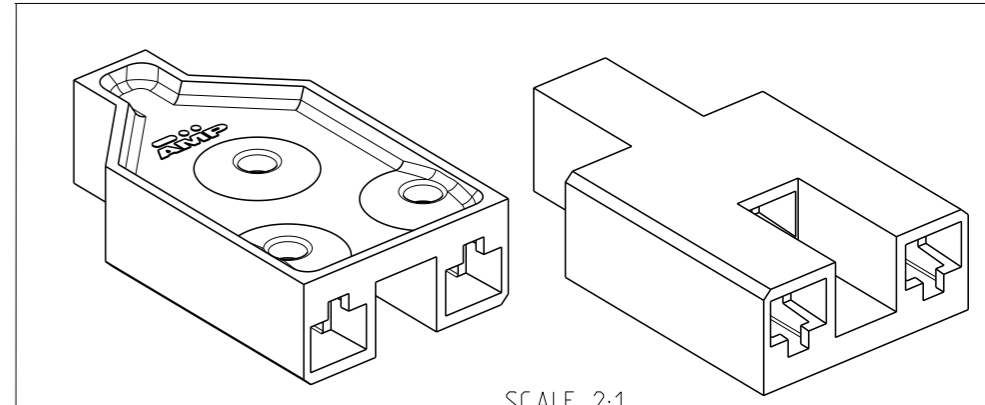
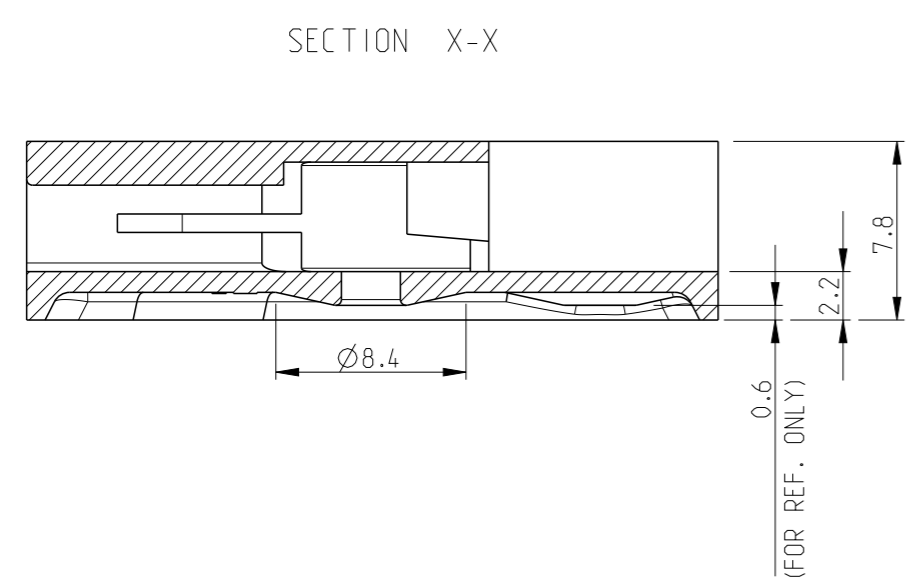


THIS DRAWING IS UNPUBLISHED. RELEASED FOR PUBLICATION 20  
 © COPYRIGHT 20 BY - ALL RIGHTS RESERVED.

REVISIONS					
P	LTR	DESCRIPTION	DATE	DWN	APVD
A3		REVISED AS PER ECR-14-018786	16DEC2014	MKD	RRP



- NOTES
- 1 MATERIAL PA-6, GWT 750°C NF ACC.DIN EN 60695-2-11
  - 2 TRADE MARK
  - 3 3 TYPICAL CAVITIES FOR REC. TRERMINAL TE P/N 62131-3
  - 4 MATERIAL PA6 GF, GWT 750°C NF ACC.DIN EN 60695-2-11 & UL 94 V0
  - 5 MATERIAL PA66 GF, GWT 750°C NF ACC.DIN EN 60695-2-11 & UL 94 V0
  - 6 PRELIMINARY PART



NATURAL	5	3POS CLUSTER BLOCK HOUSING	0-1955415-3	6	3
NATURAL	4	3POS CLUSTER BLOCK HOUSING	0-1955415-2	6	2
NATURAL	1	3POS CLUSTER BLOCK HOUSING	0-1955415-1		1
COLOUR	MATERIAL	DESCRIPTION	PART No	SL No	

THIS DRAWING IS A CONTROLLED DOCUMENT.		DWN Chethan.J 13-May-2009	<b>TE Connectivity</b>													
DIMENSIONS: mm		CHK Rajendra 13-May-2009														
TOLERANCES UNLESS OTHERWISE SPECIFIED:		APVD M.Westen 13-May-2009														
<table border="0"> <tr><td>0 PLC</td><td>±0.5</td></tr> <tr><td>1 PLC</td><td>±0.3</td></tr> <tr><td>2 PLC</td><td>±</td></tr> <tr><td>3 PLC</td><td>±</td></tr> <tr><td>4 PLC</td><td>±</td></tr> <tr><td>ANGLES</td><td>±2°</td></tr> <tr><td>FINISH</td><td>-</td></tr> </table>		0 PLC				±0.5	1 PLC	±0.3	2 PLC	±	3 PLC	±	4 PLC	±	ANGLES	±2°
0 PLC	±0.5															
1 PLC	±0.3															
2 PLC	±															
3 PLC	±															
4 PLC	±															
ANGLES	±2°															
FINISH	-															
MATERIAL SEE TABLE		APPLICATION SPEC -	NAME 3POS CLUSTER BLOCK HOUSING													
		WEIGHT -	SIZE A3	CAGE CODE -	DRAWING NO C-1955415											
		Customer Drawing	SCALE 3:1	SHEET 1 OF 1	REV A3											