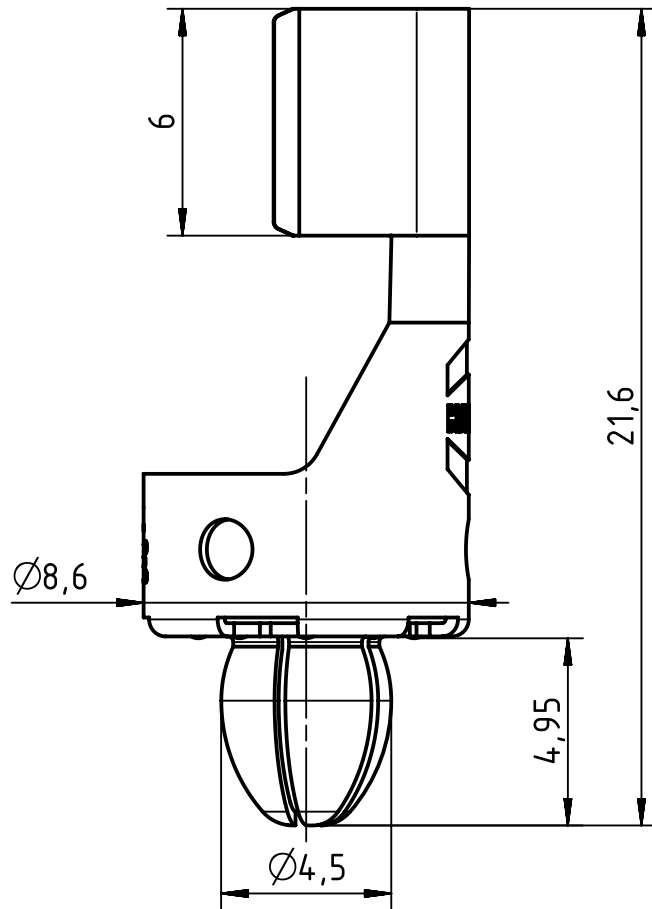
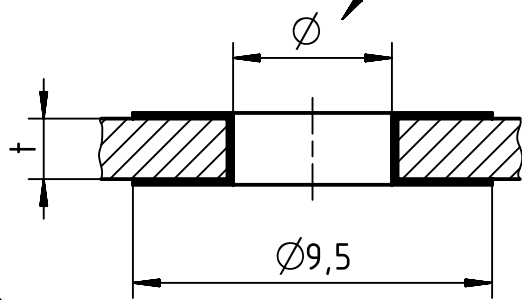


t	∅
1,6-3,2	4,4 <sup>+0,05</sup> <sub>-0,04</sub>

PCB lay-out

finished hole



Coating	A=	mm <sup>2</sup>	V=	mm <sup>3</sup>	m=	g	Mat.
	All Dimensions in mm Original Size DIN A4		Scale 5:1	Free size tol.			Ref.
	All rights reserved Department EL PD		Created by DEIMEL	Inspected by SCHNIEDER	Standardisation TIEMANNA	Date 2016-03-30	State Final Release
HARTING Electric GmbH & Co. KG D-32339 Espelkamp			Title Han-Fast Lock 4-6mm <sup>2</sup> , Ag			Doc-Key / ECM-Nr. 100219174/UGD/004/E 500000102451	
			Type TB	Number 09 08 000 7923			Rev. E
						Page 1/1	