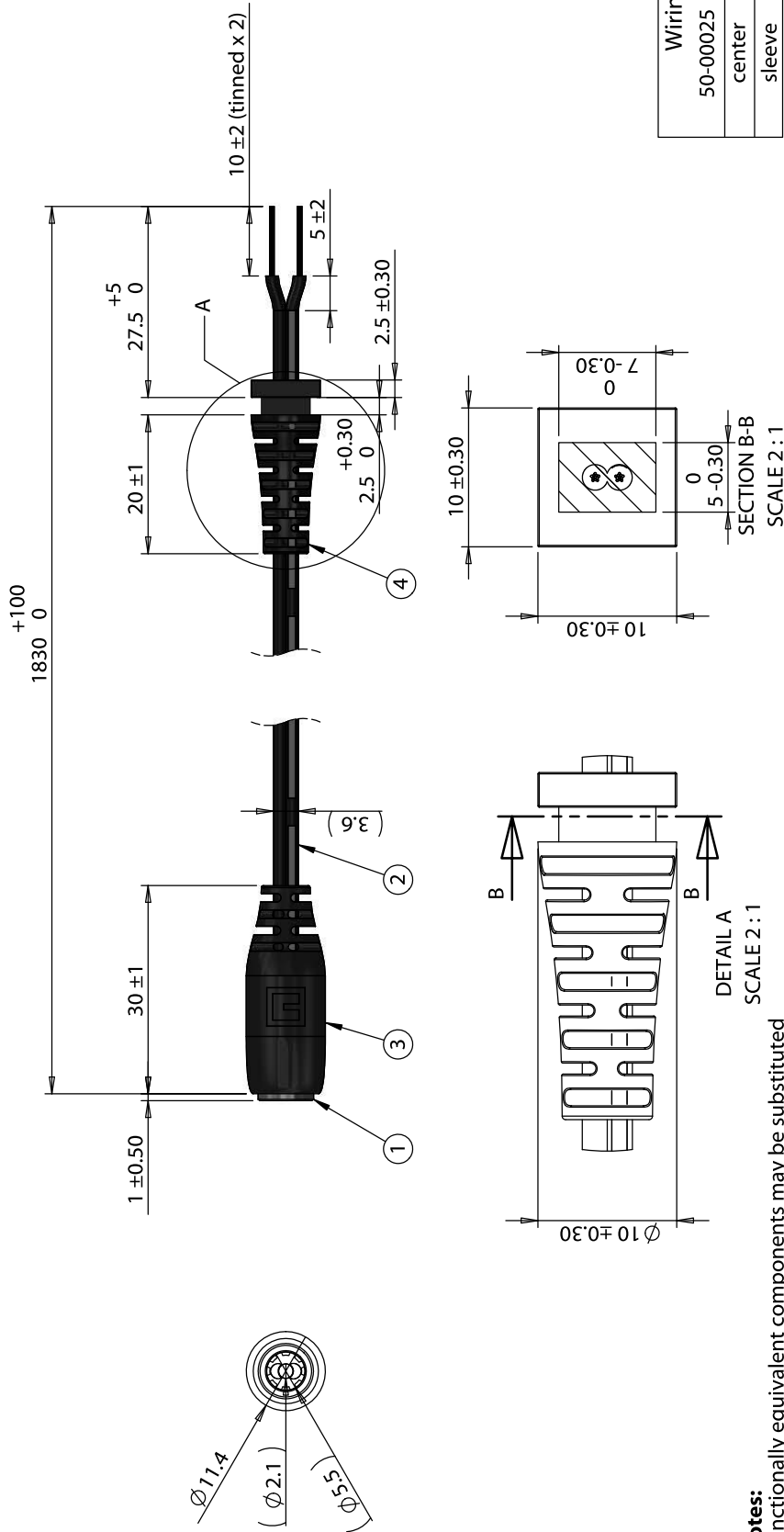


ITEM NO.	PART NUMBER	DESCRIPTION	QTY.	COMPONENT NOTES
1	50-00025	Connector, dc jack, 5.5x2.1xL17.4 mm, molding style	1	
2	30-00003	Wire, 2C BC, 24 AWG, UL2468, 300V, 80C, 3.6 mm, VW-1, PVC, 76A	1	
3	24-00004	Overmold, PVC	1	black
4	24-00251	Overmold, strain relief, 7x5x2.5 mm bushing, UL2468 wire	1	black

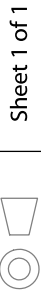


**Notes:**  
Functionally equivalent components may be substituted

Revision:	Date:	Description:	Prepared:	Notes:
A	03/28/2018	Initial release	<b>GL</b> <small>Digitally signed by GL Date: 2018.04.09 12:02:30 -0700'</small>	RoHS compliant Function test: no open, no short circuit, no intermittent
			<b>JP</b> <small>Digitally signed by JP Date: 2018.04.09 14:55:01 -0700'</small>	Description: Cable, 1830 mm, 5.5x2.1 mm 50-00025 dc jack to strain relief 10 mm tinned, 24 AWG, UL2468 wire
			Dimensions are in millimeters. Tolerances: X: ± 0.5 mm X.X: ± 0.3 mm X.XX: ± 0.05 mm	Size: Part number: A 10-02963
				Scale: 1:1

# TENSILITY

tel 1.541.323.3228 800 877.670.7118  
 fax 1.541.323.4202 web tensility.com



Sheet 1 of 1