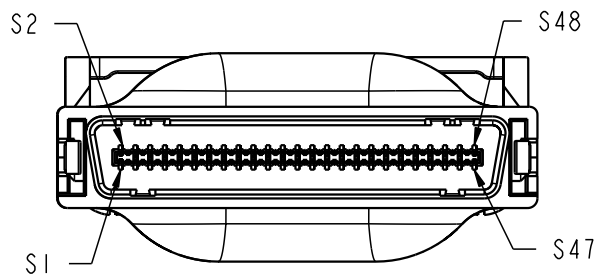
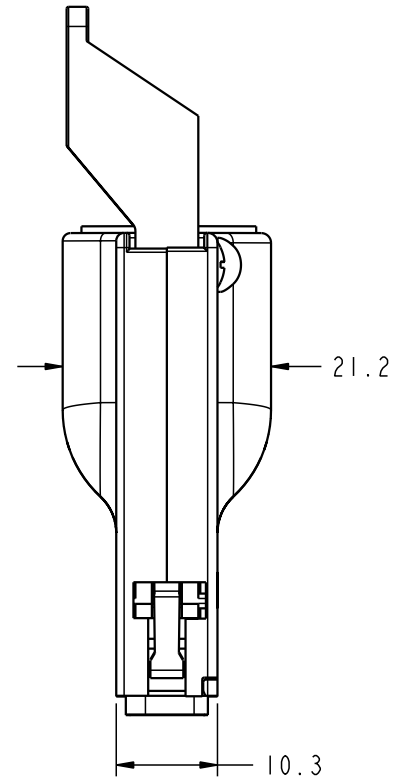
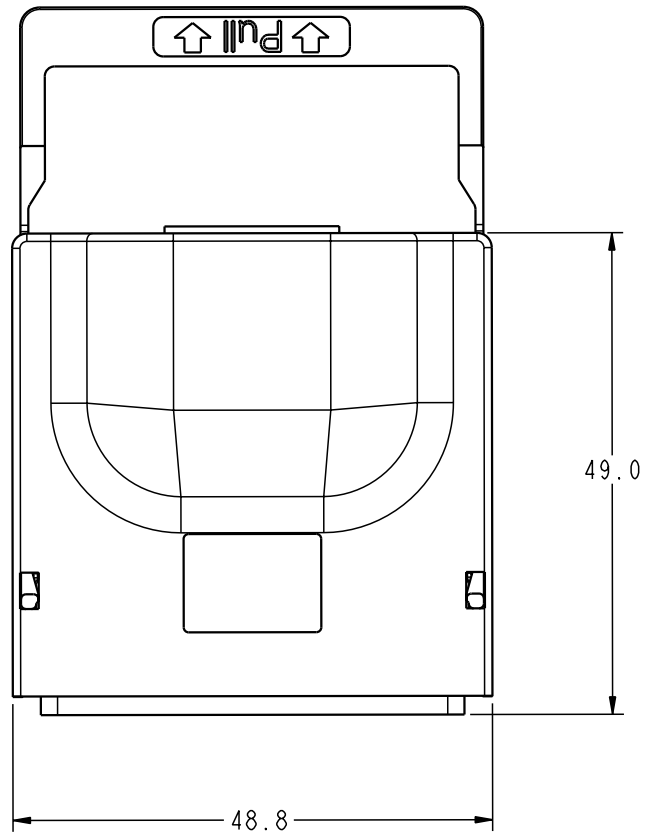


Tous droits strictement réservés. Reproduction ou communication à des tiers interdite sous quelque forme que ce soit sans autorisation écrite du propriétaire. Propriété de c FCI. Droits de reproduction FCI.



All rights strictly reserved. Reproduction or issue to third parties in any form whatever is not permitted without written authority from the proprietor. Property of FCI. Copyright FCI.

PRODUCT NUMBER
10010264-001
10010264-001LF



NOTES:

1. MATES WITH FCI RECEPTACLES 58366 OR 58367.
2. MATERIALS:
 BLOCKER - ALUMINUM ALLOY
 BACKSHELL - ZINC ALLOY, NICKEL PLATING OVER COPPER
 CONNECTOR - THERMOPLASTIC AND COPPER ALLOY
 LATCH - THERMOPLASTIC AND STAINLESS STEEL
 PRINTED CIRCUIT BOARD - FR4 FIBERGLASS
3. PRODUCT SPECIFICATION: GS-12-209.

TOLERANCES UNLESS OTHERWISE SPECIFIED				
	0.X	±.3		
LINEAR	0.XX	±.10		
	0.XXX	±.050		
ANGULAR	0°	±2°		

rev	ecn no	dr	date
A	CY21121	PC	07/09/02
B	CY21256	PC	11/22/02
C	CY31444	GL	06/17/03
D	V03-1234	DAI	12/05/03
E	V04-0483	DAI	06/17/04
F	V05-0064	TAB	03/07/05
G	V05-0542	TAB	06/17/05

FCI		www.fciconnect.com	surface <input checked="" type="checkbox"/> ASME Y14.5	tolerance ASME Y14.5	projection	MM
Dr	PC	07/09/02	Product family	EYEMAX(tm)	size	A4
Eng	N.LEE	07/09/02	Spec ref		Scale	13:10
Chr	PC	07/09/02	Material	SEE NOTES	ECN	V05-0542
Appr	N.LEE	07/09/02				
title					12X EYEMAX LOOPBACK MODULE	
catalog no					-	
dwg no					10010264	
Rev.					G	
CUSTOMER					sheet 1 of 2	

1

2

3

4

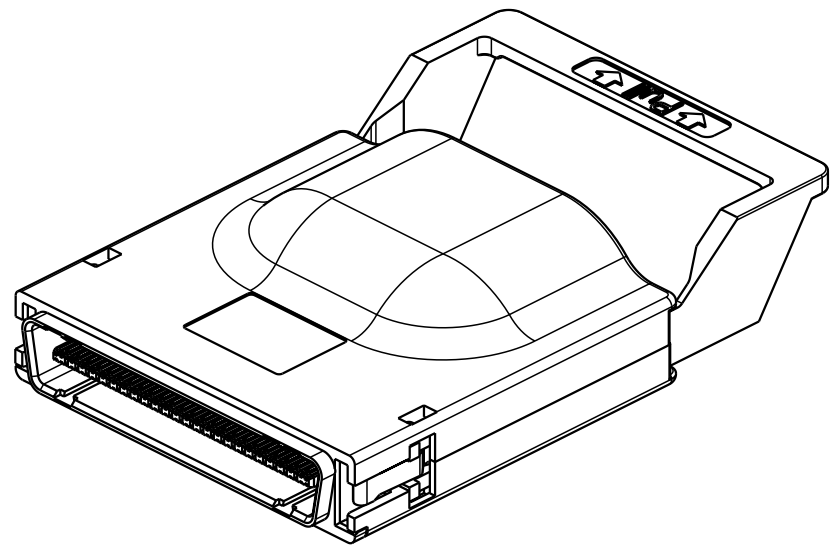
PRODUCT NUMBER
I0010264-001
I0010264-001LF

Tous droits strictement reserves. Reproduction ou communication a des tiers interdite sous quelque forme que ce soit sans autorisation ecrite du proprietaire. Propriete de c FCI. Droits de reproduction FCI.



All rights strictly reserved. Reproduction or issue to third parties in any form whatever is not permitted without written authority from the proprietor. Property of FCI. Copyright FCI.

PIN CONNECTIONS			
FROM		TO	
PIN NO.	SIGNAL	PIN NO.	SIGNAL
S1	IBtxlp(0)	S48	IBtxOp(0)
S2	IBtxln(0)	S47	IBtxOn(0)
S3	IBtxlp(1)	S46	IBtxOp(1)
S4	IBtxln(1)	S45	IBtxOn(1)
S5	IBtxlp(2)	S44	IBtxOp(2)
S6	IBtxln(2)	S43	IBtxOn(2)
S7	IBtxlp(3)	S42	IBtxOp(3)
S8	IBtxln(3)	S41	IBtxOn(3)
S9	IBtxlp(4)	S40	IBtxOp(4)
S10	IBtxln(4)	S39	IBtxOn(4)
S11	IBtxlp(5)	S38	IBtxOp(5)
S12	IBtxln(5)	S37	IBtxOn(5)
S13	IBtxlp(6)	S36	IBtxOp(6)
S14	IBtxln(6)	S35	IBtxOn(6)
S15	IBtxlp(7)	S34	IBtxOp(7)
S16	IBtxln(7)	S33	IBtxOn(7)
S17	IBtxlp(8)	S32	IBtxOp(8)
S18	IBtxln(8)	S31	IBtxOn(8)
S19	IBtxlp(9)	S30	IBtxOp(9)
S20	IBtxln(9)	S29	IBtxOn(9)
S21	IBtxlp(10)	S28	IBtxOp(10)
S22	IBtxln(10)	S27	IBtxOn(10)
S23	IBtxlp(11)	S26	IBtxOp(11)
S24	IBtxln(11)	S25	IBtxOn(11)



LEAD FREE NOTES:

1. LEAD FREE SOLDER TAIL PLATING 2μm(80μin) MIN MATTE TIN OVER 1.27μm(50μin) MIN NICKEL UNDERPLATE.
2. IF LEAD FREE PART NUMBER, THE HOUSING WILL WITHSTAND EXPOSURE TO 260°C PEAK TEMPERATURE FOR 10 SECONDS IN A WAVE SOLDER APPLICATION WITH A 1.60mm MIN THICK CIRCUIT BOARD.
3. PACKAGING OF LEAD FREE PRODUCTS MEETS LABELING AND PACKAGING SPECIFICATION GS-14-920.
4. LEAD FREE PRODUCTS MEET EUROPEAN UNION DIRECTIVES AND OTHER COUNTRY REGULATIONS AS DESCRIBED IN GS-22-008.

	title	12X EYEMAX LOOPBACK MODULE	dwg no	10010264	Rev.	G
	Pro/E file	catalog no	-	CUSTOMER	sheet	2 of 2

2

PDM: Rev:G

STATUS: Released

4 Printed: Jul 22, 2010

A

B

C

D