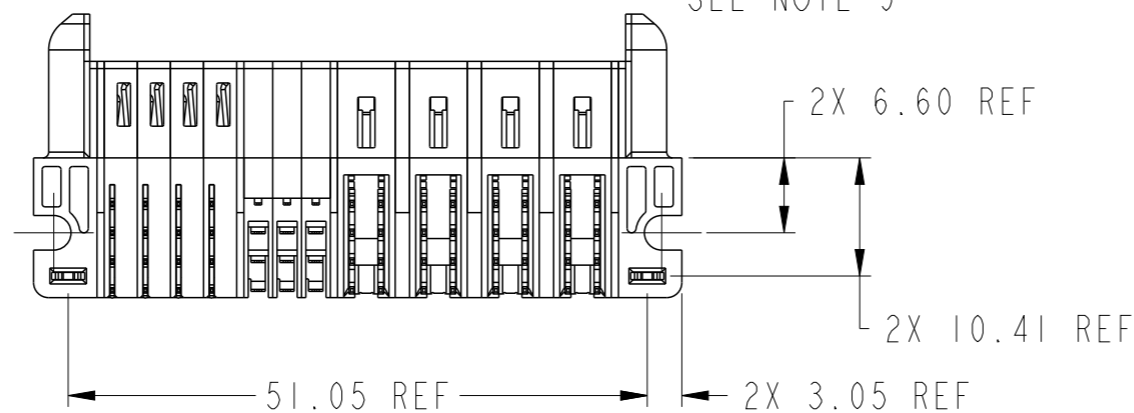
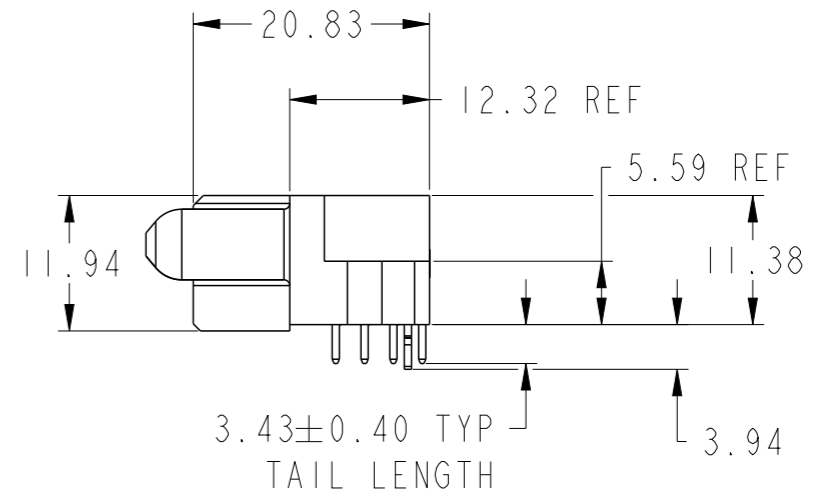
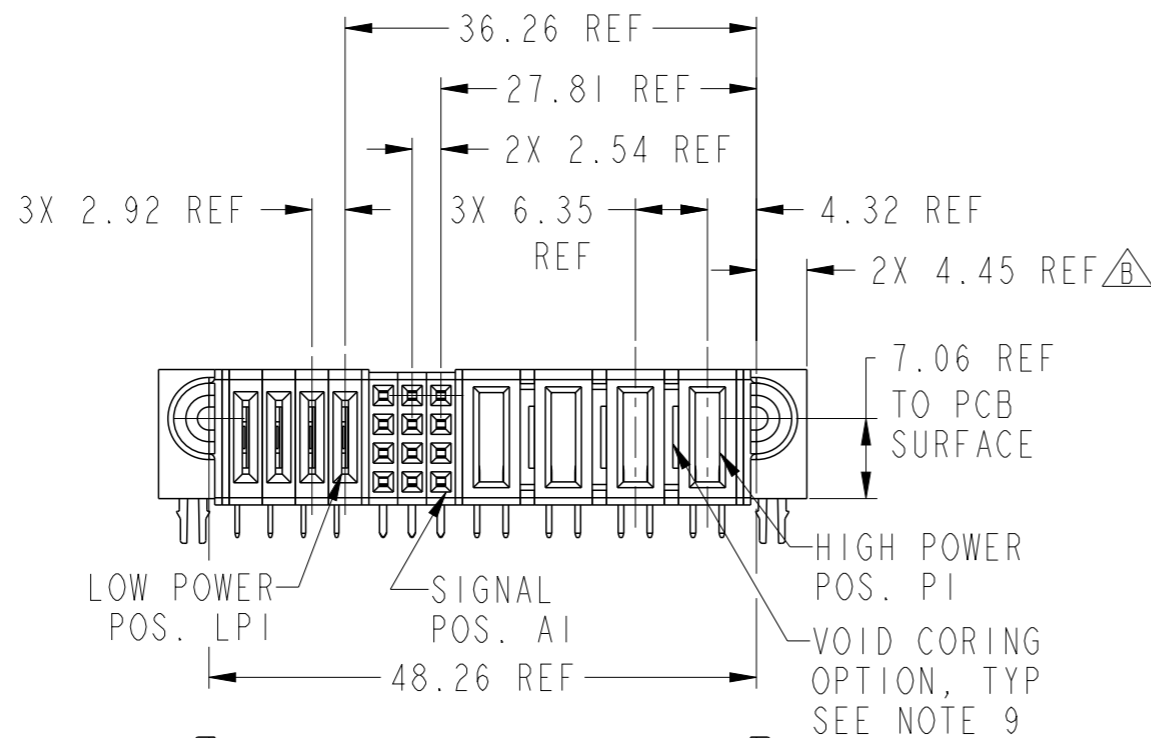
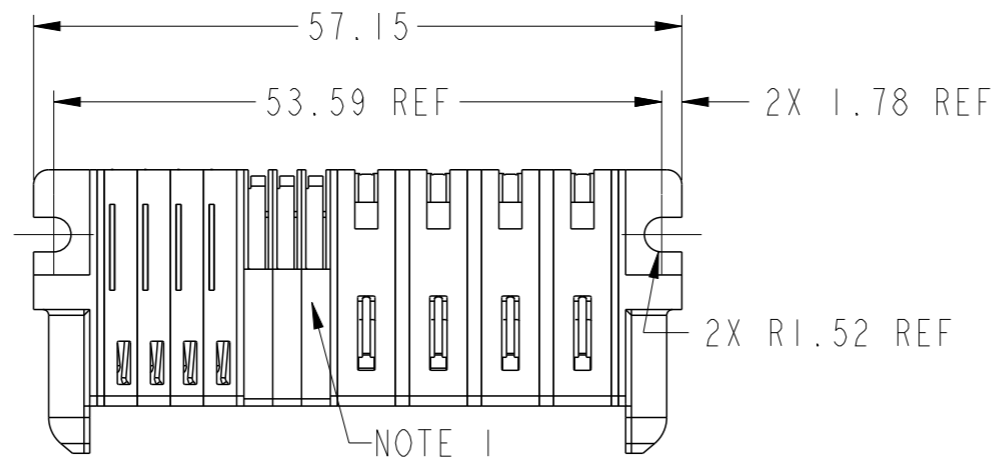


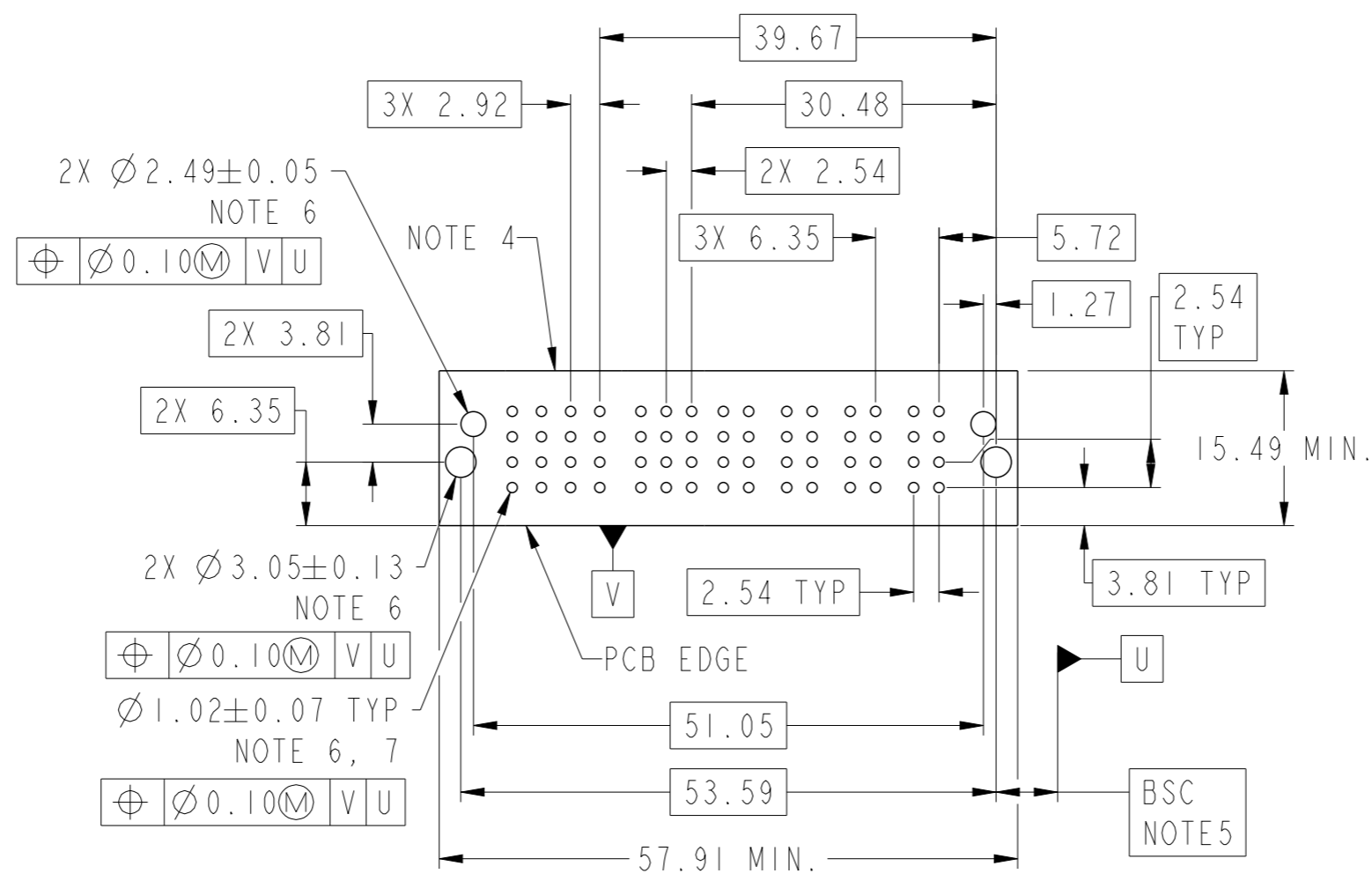
PRODUCT NUMBER SEE SHEET 2



spec ref	*	dr	Peng-Bing Fu	2012/05/16	projection	MM	size	A3	scale	3:2																	
tolerance std	ASME Y14.5	eng	Peng-Bing Fu	2012/11/14			ecn no	ELX-DG-013144-1	rel level	Released																	
TOLERANCES UNLESS OTHERWISE SPECIFIED		chr	Tian-Xu Huang	2012/11/15							product family	PwrBlade+															
surface	<table border="1"> <tr> <td>linear</td> <td>0.X</td> <td>±0.5</td> </tr> <tr> <td></td> <td>0.XX</td> <td>±0.25</td> </tr> <tr> <td></td> <td>0.XXX</td> <td>±0.10</td> </tr> <tr> <td>angular</td> <td>0°</td> <td>±2°</td> </tr> </table>	linear	0.X	±0.5		0.XX	±0.25		0.XXX	±0.10	angular	0°	±2°	appr	Pei-Ming Zheng	2012/11/15			<table border="1"> <tr> <td>part no</td> <td>4HP + 12S + 4LP</td> <td>rev</td> <td>B</td> </tr> <tr> <td>cat. no.</td> <td>RA STB RECEPTACLE</td> <td>dwg no</td> <td>10106126-4403001</td> </tr> </table>	part no	4HP + 12S + 4LP	rev	B	cat. no.	RA STB RECEPTACLE	dwg no	10106126-4403001
linear	0.X	±0.5																									
	0.XX	±0.25																									
	0.XXX	±0.10																									
angular	0°	±2°																									
part no	4HP + 12S + 4LP	rev	B																								
cat. no.	RA STB RECEPTACLE	dwg no	10106126-4403001																								
ASME Y14.5		www.fci.com		Product - Customer Drw		sheet 1 of 3																					

PRODUCT NO.	ROWS	LP				S			HIGH POWER				E2
		E1	L4	L3	L2	L1	3	2	1	P4	P3	P2	
10106126-4403001LF	DCBA	LR LR LR LR LR				HHH GGG FFF EEE			H3	H3	H1	H1	

CODE	DESCRIPTION
E	STD SIGNAL CONTACT, ROW A
F	STD SIGNAL CONTACT, ROW B
G	STD SIGNAL CONTACT, ROW C
H	STD SIGNAL CONTACT, ROW D
H1	MFBL HIGH POWER CONTACT(3.43)
H3	STD HIGH POWER CONTACT(3.43)
HA	METAL HOLD DOWN
LR	STD LOW POWER CONTACT(3.43)

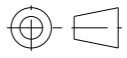
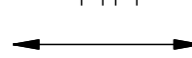



dr	Peng-Bing Fu	2012/05/16	projection	MM	size	A3	scale	3:2
eng	Peng-Bing Fu	2012/11/14			ecn no	ELX-DG-013144-1	rel level	Released
chr	Tian-Xu Huang	2012/11/15						
appr	Pei-Ming Zheng	2012/11/15	product family	PwrBlade+				
			title 4HP + 12S + 4LP RA STB RECEPTACLE			dwg no 10106126-4403001		rev B
www.fci.com			cat. no.		Product - Customer Drw			sheet 2 of 3

Copyright FCI.

NOTES:

- 1) "FCI", PART NUMBER AND DATE CODE TO BE MARKED ON THIS SURFACE.  
THE P/N CAN BE OMITTED IF THERE IS NOT ENOUGH SPACE ON THIS SURFACE.
- 2) MATERIALS:  
-HOUSING - GLASS FILLED WITH HIGH TEMP THERMOPLASTIC, UL94V-0.  
-SIGNAL CONTACT - COPPER ALLOY.  
-POWER CONTACT - HIGH CONDUCTIVITY COPPER ALLOY.
- 3) PLATING SPECIFICATION REFER TO FCI 10116351
- 4) DENOTES CONNECTOR KEEP OUT ZONE.
- 5) DATUM AND BASIC DIMENSIONS WERE ESTABLISHED BY CUSTOMER.
- 6) ALL HOLE DIAMETERS ARE FINISHED HOLE SIZES.
- 7)  $1.15 \pm 0.025$ MM DRILLED HOLE PLATED WITH 0.00762MM MIN Sn  
OVER 0.0254-0.0762MM Cu PLATING TO ACHIEVE A  $1.02 \pm 0.07$ MM HOLE.
- 8) PRODUCT SPECIFICATION REFER TO FCI GS-12-658.  
APPLICATION SPECIFICATION REFER TO FCI GS-20-141.  
PRODUCT PACKAGED IN TRAYS, REFER TO FCI GS-14-1502.
- 9) THE VOID CORING IN BETWEEN POWER MODULES, SIGNAL  
MODULES AND END MODULES ARE OPTIONAL AND THE SHAPE  
MAY BE DIFFERENT FOR OPTIMIZE THE MOLDING PROCESS. THE  
VOID CORING WILL NOT EFFECT TO PRODUCT FUNCTION.
- 10) A  $\triangle$  SYMBOL WILL BE NEXT TO ANY DIMENSION, VIEW, OR NOTE WHICH  
HAS BEEN MODIFIED WITH THE CURRENT DRAWING REVISION.

dr	Peng-Bing Fu	2012/05/16			size	A3	scale	3:2	
eng	Peng-Bing Fu	2012/11/14			ecn no	ELX-DG-013144-1			
chr	Tian-Xu Huang	2012/11/15			product family	PwrBlade+	rel level	Released	
appr	Pei-Ming Zheng	2012/11/15							
		title 4HP + 12S + 4LP RA STB RECEPTACLE			dwg no 10106126-4403001	rev B			
www.fci.com		cat. no.	Product - Customer Drw			sheet 3 of 3			