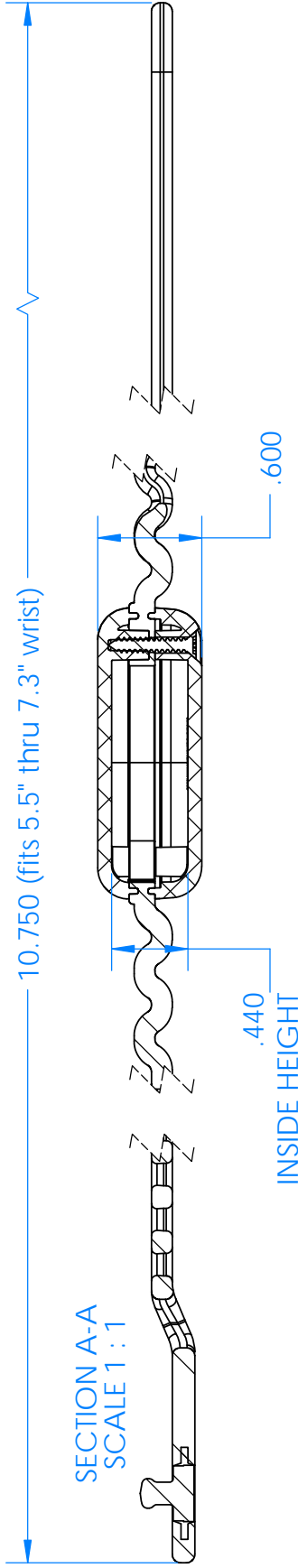
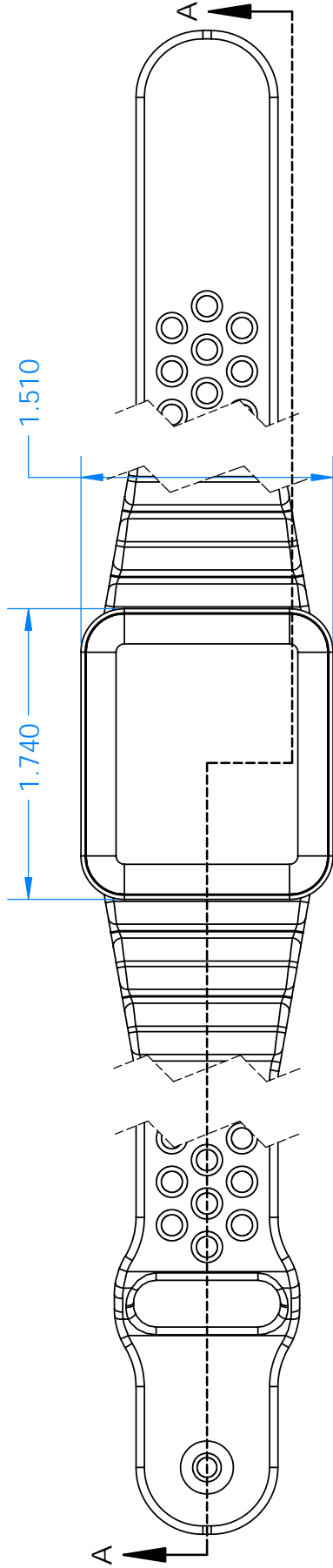


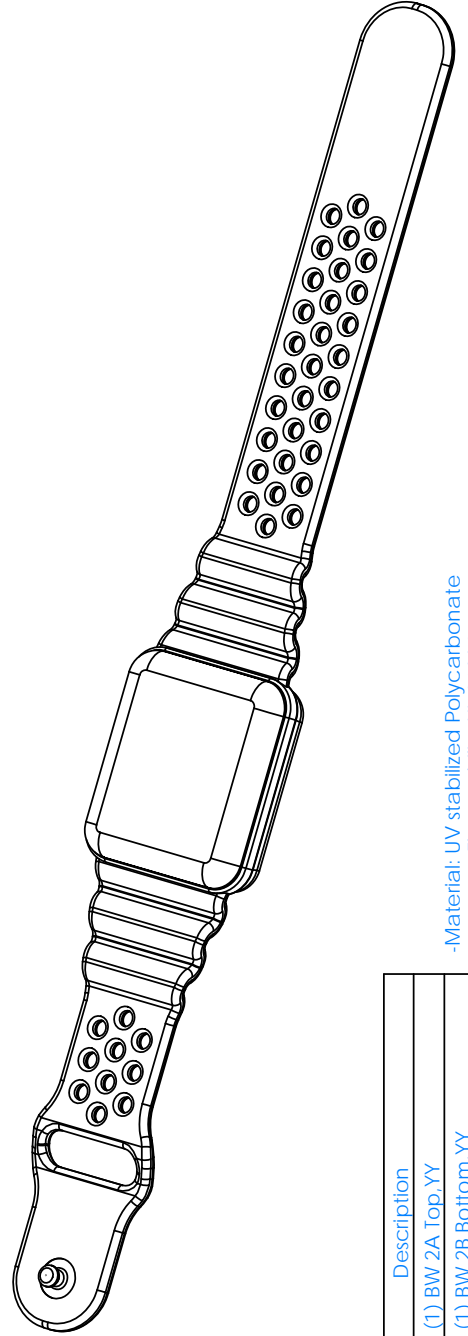
SERPAC BW23AYYASZZ

Electronic Enclosures



Color options:
 YY (Enclosure Color)
 BK=Black

ZZ (Strap Color)
 BK=Black
 GM=GunMetal
 YL=Yellow
 OR=Orange
 NO=NeonOrange
 NG=NeonGreen
 BL=Blue



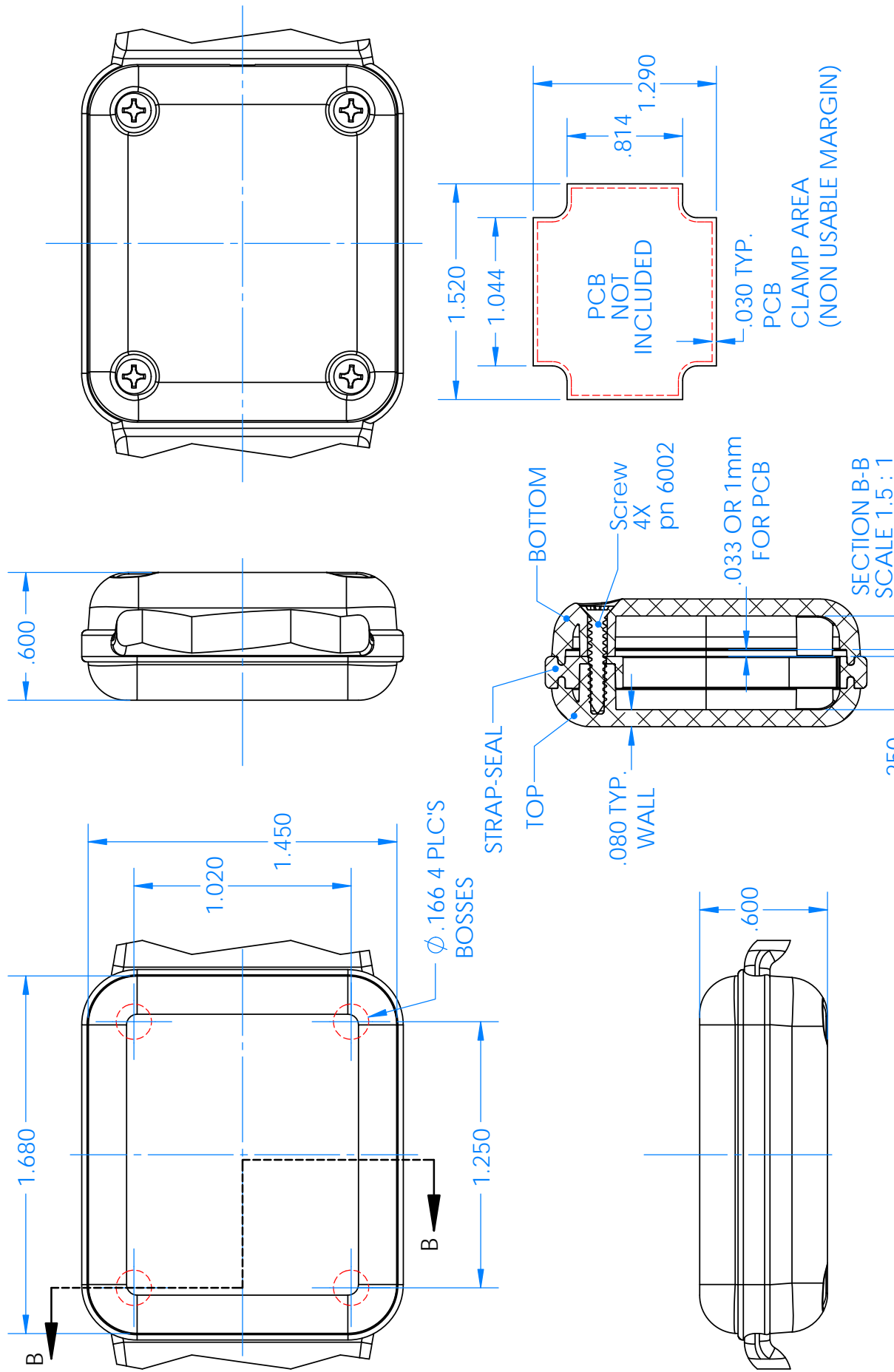
- Material: UV stabilized Polycarbonate
 Flammability UL 94 V-0
- Watertight enclosure meets or
 exceed Nema 4 and or IP67.

| PN | Description |
|----------|------------------------------------|
| 5510A,YY | (1) BW 2A Top,YY |
| 5513A,YY | (1) BW 2B Bottom,YY |
| 5517A,ZZ | (1) BW 21S-Small Comolded Strap,ZZ |
| 6003 | (4) #2 X 1/2" PHHD screw |

7/17/2019
 ALL DIMENSIONS ARE ± .010"
 2009 Wright Ave. La Verne, CA 91750
 Ph. (626) 331-0517 Fx. (626) 331-8584 serpac.com

SERPAC BW28AYYASZZ

Electronic Enclosures



Refer to page 1 for:
YY (Enclosure color options)
ZZ (Strap color options)

- Material: UV stabilized Polycarbonate
Flammability UL 94 V-0
- Watertight enclosure meets or exceeds Nema 4 and or IP67.

| PN | Description |
|----------|------------------------------------|
| 5510A,YY | (1) BW 2A Top,YY |
| 5513A,YY | (1) BW 2B Bottom,YY |
| 5517A,ZZ | (1) BW 21S-Small Comolded Strap,ZZ |
| 6003 | (4) #2 X 1/2" PH HD screw |

ALL DIMENSIONS ARE $\pm .010"$
 2009 Wright Ave, La Verne, CA 91750
 Ph. (626) 331-0517 Fx. (626) 331-8584 serpac.com