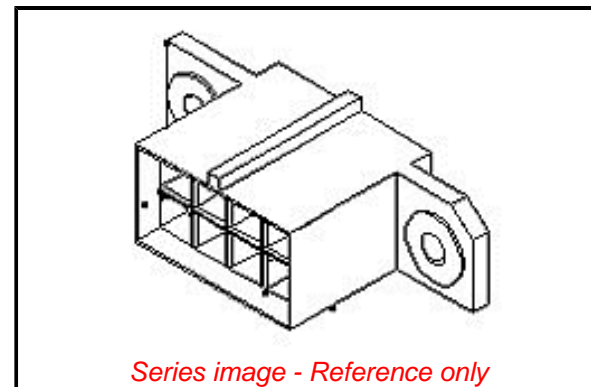


**PLEASE CHECK WWW.MOLEX.COM FOR LATEST PART INFORMATION**

**Part Number:** **0520250811**  
**Status:** **Active**  
**Description:** Mini-Fit Wire-to-Wire Plug Housing, 5.00mm Pitch, Floating-Fit Drawer Type, 8 Circuits

**Documents:**

<a href="#">3D Model</a>	<a href="#">Product Specification PS-51010-005 (PDF)</a>
<a href="#">Drawing (PDF)</a>	<a href="#">Product Specification PS-51010-006 (PDF)</a>
<a href="#">Product Specification PS-51010-001 (PDF)</a>	<a href="#">Product Specification PS-51010-007-001 (PDF)</a>
<a href="#">Product Specification PS-51010-002 (PDF)</a>	<a href="#">Packaging Specification SPK-52025-001-001 (PDF)</a>
<a href="#">Product Specification PS-51010-003 (PDF)</a>	<a href="#">RoHS Certificate of Compliance (PDF)</a>
<a href="#">Product Specification PS-51010-004 (PDF)</a>	



**Agency Certification**

CSA	LR19980
UL	E29179

**General**

Product Family	Crimp Housings
Series	<u>52025</u>
Application	Power, Wire-to-Wire
Product Name	Mini-Fit
UPC	800753337671

**Physical**

Circuits (maximum)	8
Flammability	94V-0
Gender	Plug
Glow-Wire Capable	No
Lock to Mating Part	Yes
Net Weight	6270.000/mg
Number of Rows	2
Packaging Type	Bag
Panel Mount	Yes
Pitch - Mating Interface	5.00mm
Stackable	No
Temperature Range - Operating	-40°C to +105°C

**Material Info**

**Reference - Drawing Numbers**

Packaging Specification	SPK-52025-001-001
Product Specification	PS-51010-001, PS-51010-002, PS-51010-003, PS-51010-004, PS-51010-005, PS-51010-006, PS-51010-007-001
Sales Drawing	SD-52025-001

**EU ELV**

**Not Relevant**

**EU RoHS**

**Compliant with Exemption 6(c)**

**REACH SVHC**

Not Contained Per  
-ED/01/2018 (15  
January 2018)

**Halogen-Free**

**Status**

**Not Low-Halogen**

**Need more information on product environmental compliance?**

Email [productcompliance@molex.com](mailto:productcompliance@molex.com)  
Please visit the [Contact Us](#) section for any non-product compliance questions.

China ROHS	50 Image
ELV	Not Relevant
RoHS Phthalates	Not Contained

**Search Parts in this Series**

52025 Series

**Mates With**

51010 Receptacle Housing

**Use With**

5558