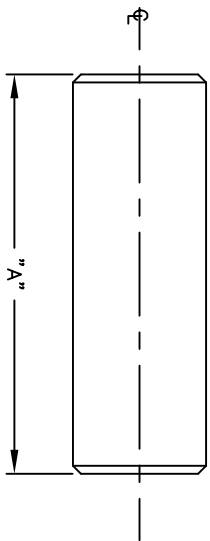
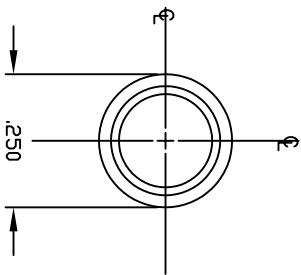
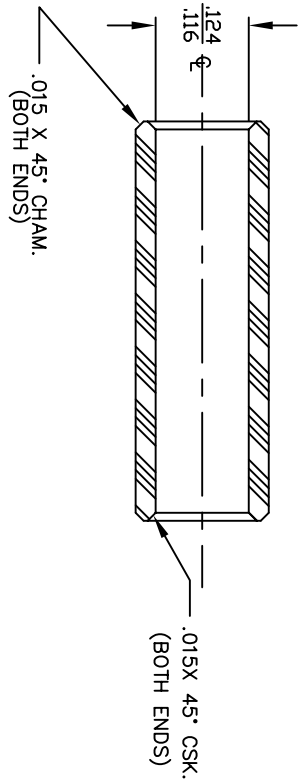


REVISIONS		REVISED BY	DATE	APPR
SYM	DESCRIPTION			



PART NO.	DIM "A"
8480	.125
9200	.187
8481	.250
9201	.312
8482	.375
9202	.437
8483	.500
9203	.562
8484	.625
9204	.687
8485	.750
9205	.812
8486	.875
9206	.937
8487	1.000
8480R	1.125
8488	1.250
8480T	1.375
8489	1.500
8480V	1.625
8490	1.750
8480X	1.875
8491	2.000

MATERIAL ALUMINUM ALLOY 2011 T3		FINISH CLEAR CHROMATE	
DIMENSIONAL TOLERANCES UNLESS OTHERWISE SPECIFIED		TITLE	
.XX	.XXX	ALUMINUM ROUND 1/4"	
---	---	SPACERS	
---	---	#4 CLEARANCE	
FRACTIONS	ANGLES	SCALE	NONE
---	---	---	---
HEAT TREAT	---	DRAWN: T. LORD	DATE 02/10/03
PLT SCALE: 1=1	---	CHECKED: T. LORD	DATE 02/10/03
		APPROVED: T. LORD	DATE 02/10/03
ABBATRON Electronic Connectors and Hardware 632 Arch Street, Meadville, Pa. 16335		SIZE	DRAWING NUMBER
		B	SD: SMP-00404
			A