



## Plenum HD15 M/M SXGA Cable

- CMP-rated cable jacket that meets commercial in-wall codes
- Low Profile HD 15 connectors (1-1/4" total depth) for easier in-wall installation
- Small-diameter cable (1/4" diameter) reduces space and clearance required for other cables in-wall and in plenum air spaces
- Three 30AWG coax cables with two 26 AWG pair
- Dual shielded
- Lifetime warranty

# Specifications: Plenum HD15 M/M SXGA Cable

## Electrical Characteristics:

### 3 Coax Conductors

---

Impedance:	75 +/- 5 Ohm																				
Capacitance:	54 pF/m nom																				
DC Resistance:	0.347 Ohms/m @20C																				
Dielectric Strength:	750VAC/minute min.																				
Insulation Resistance (500V):	100 Mohm/KM @20C																				
Attenuation (nominal):	<table><thead><tr><th>Frequency</th><th>dB/100 ft</th></tr></thead><tbody><tr><td>1.0 MHz</td><td>0.9</td></tr><tr><td>3.6 MHz</td><td>1.7</td></tr><tr><td>5.0 MHz</td><td>1.9</td></tr><tr><td>7.0 MHz</td><td>2.4</td></tr><tr><td>9.0 MHz</td><td>2.6</td></tr><tr><td>10.0 MHz</td><td>2.8</td></tr><tr><td>30.0 MHz</td><td>4.4</td></tr><tr><td>50.0 MHz</td><td>5.8</td></tr><tr><td>100.0 MHz</td><td>8.2</td></tr></tbody></table>	Frequency	dB/100 ft	1.0 MHz	0.9	3.6 MHz	1.7	5.0 MHz	1.9	7.0 MHz	2.4	9.0 MHz	2.6	10.0 MHz	2.8	30.0 MHz	4.4	50.0 MHz	5.8	100.0 MHz	8.2
Frequency	dB/100 ft																				
1.0 MHz	0.9																				
3.6 MHz	1.7																				
5.0 MHz	1.9																				
7.0 MHz	2.4																				
9.0 MHz	2.6																				
10.0 MHz	2.8																				
30.0 MHz	4.4																				
50.0 MHz	5.8																				
100.0 MHz	8.2																				

### 2 Twisted Pairs

---

DC Resistance:	0.139 Ohms/m @20C
Dielectric Strength:	750VAC/minute min
Insulation Resistance:	100 Mohm/KM @ 20C

## Physical Characteristics:

Voltage Rating:	300V
Temperature Rating:	75C

**Approvals:** RoHS Compliant

---

**Warranty:** Lifetime

---

**Package Type:** Polybag

---

Item	Description
40091	15ft Plenum HD15 M/M SXGA Cable
40092	25ft Plenum HD15 M/M SXGA Cable
40093	35ft Plenum HD15 M/M SXGA Cable
40094	50ft Plenum HD15 M/M SXGA Cable
40514	75ft Plenum HD15 M/M SXGA Cable

# Cable Specifications: Plenum HD15 M/M SXGA Cable

## Conductor (Qty. 3):

Conductor Type:	30AWG 7/38 Tinned Copper .012" nom. OD
Insulation:	Cellular FEP .049" nom. OD .0185" avg. wall
Shield:	Braid 4 ends 38AWG Tinned Copper 92% min. coverage
Jacket:	CMP-rated Low Smoke PVC (color code: (1) red, (1) blue, (1) green) .083" nom OD .008" avg. wall

## Conductor (1 pair):

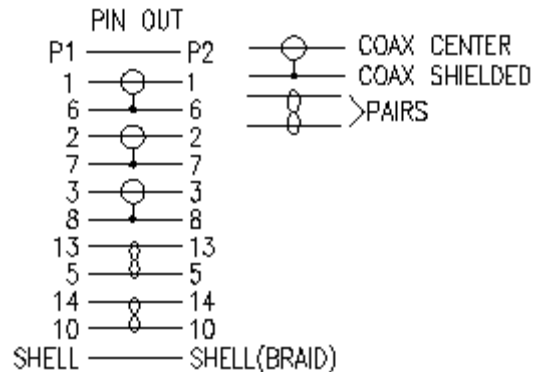
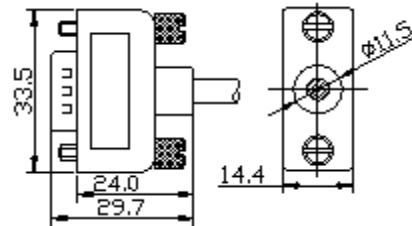
Conductor Type:	26AWG 7/34 Tinned Copper .019" nom. OD
Insulation:	Low Smoke PVC .029" nom. OD .005" avg. wall
Pairing Type:	Pair 1 (blue + violet) Twisted

## Conductor (1 pair):

Conductor Type:	26AWG 7/34 Tinned Copper .019" nom. OD
Insulation:	Low Smoke PVC .029" nom. OD .005" avg. wall
Pairing Type:	Pair (red + orange) Twisted w/Drain Wire (26 AWG 7/34TC)

## Connector (Qty. 2):

Connector Type:	HD15 Solder type
Gender:	Male to Male
Contact Material:	Gold Flash
Insulation:	Black PBT
Shield:	Copper-foil tape cover pre-mold w/360 degree solder to connect to shell and cable braid
Hood Material:	Molded Low Smoke PVC (color: black)



## Overall Cable:

Shield 1:	Aluminum/Polyester Tape 25% min overlap coverage
Shield 2:	Braid Shield 9 ends 36 AWG Tinned Copper 85% min. coverage
Jacket:	CMP-rated Low Smoke PVC (black) .248" nom. OD .018" avg. wall

