

SACC-DSI-M12MS-8CON-L180 VA - Device connector, rear mounting



1529807

<https://www.phoenixcontact.com/us/products/1529807>

Please be informed that the data shown in this PDF document is generated from our Online Catalog. Please find the complete data in the user documentation. Our General Terms of Use for Downloads are valid.



Device connector, rear mounting, 8-position, Plug, straight, M12, coding: A , Rear mounting, Pg9, Solder pins, Alternative product in accordance with RoHS II without Exemption 6c (Pb <0.1%) item no.: 1239922

Your advantages

- Easy PCB assembly: one-piece connectors for wave soldering

Commercial Data

Item number	1529807
Packing unit	1 pc
Minimum order quantity	20 pc
Sales Key	AB26
Product Key	ABQEOL
Catalog Page	Page 270 (C-2-2013)
GTIN	4017918981808
Weight per Piece (including packing)	15.76 g
Weight per Piece (excluding packing)	14.745 g
Customs tariff number	85366990
Country of origin	DE

SACC-DSI-M12MS-8CON-L180 VA - Device connector, rear mounting



1529807

<https://www.phoenixcontact.com/us/products/1529807>

Technical Data

Notes

General	The electrical and mechanical data specified assume that the connector pair is correctly locked and mounted. If the connector is unlocked and if there is a danger of contamination, the connector must be sealed using a protective cap > IP54. Influences arising from litz wires, cables or PCB assembly must also be taken into consideration.
General	Lock nut is included in the scope of delivery

Mounting

Mounting type	Rear mounting Pg9 With locking nut
Assembly instructions	With locking nut
Connection method	Solder pins

Product properties

Product type	Circular connectors (device side)
Number of positions	8
Coding	A
Thread type	M12

Insulation characteristics

Overvoltage category	II
Degree of pollution	3

Material specifications

Flammability rating according to UL 94	V0
Seal material	NBR
Contact material	CuZn
Contact surface material	Au
Contact carrier material	PA 6.6
Material for screw connection	Stainless steel

Electrical properties

Rated surge voltage	0.8 kV
Contact resistance	$\leq 3 \text{ m}\Omega$
Insulation resistance	$\geq 100 \text{ M}\Omega$
Nominal voltage U_N	30 V
Nominal current I_N	2 A

Connection data

Conductor connection

Connection method	Solder pins
-------------------	-------------

SACC-DSI-M12MS-8CON-L180 VA - Device connector, rear mounting



1529807

<https://www.phoenixcontact.com/us/products/1529807>

Tightening torque	3 Nm
	4 Nm

Mechanical properties

Mechanical data

Insertion/withdrawal cycles	> 100
-----------------------------	-------

Connector

Connection 1

Head design	Plug
Head cable outlet	straight
Head thread type	M12
Coding	A

Cable/line

Ambient temperature (operation)	-40 °C ... 85 °C (cable, fixed installation)
	-25 °C ... 85 °C (Cable, flexible installation)

Environmental and real-life conditions

Ambient conditions

Degree of protection	IP65/IP67/IP69/IP69K
	IP65/IP67/IP69K
Ambient temperature (operation)	-25 °C ... 85 °C (Plug / socket)
	-40 °C ... 85 °C (without mechanical actuation)
	-25 °C ... 85 °C (Cable, flexible installation)
	-40 °C ... 85 °C (cable, fixed installation)

Standards and regulations

Standard designation	M12 connector
Standards/specifications	IEC 61076-2-101

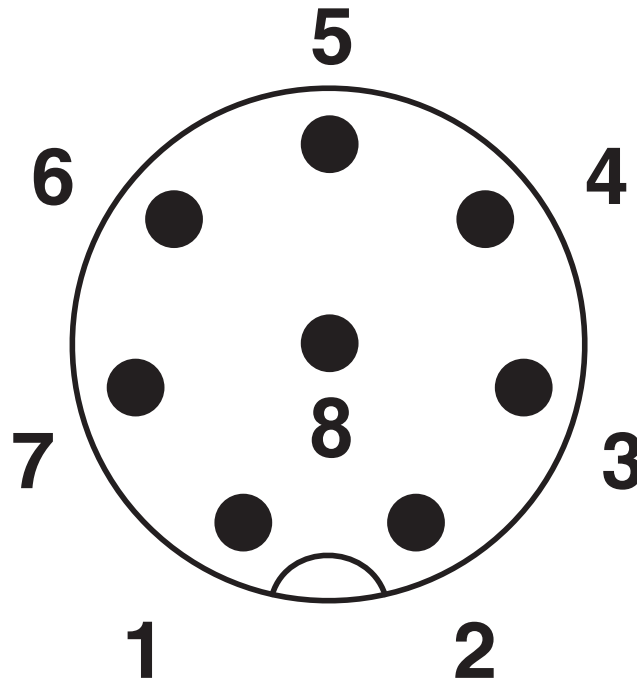
SACC-DSI-M12MS-8CON-L180 VA - Device connector, rear mounting

1529807

<https://www.phoenixcontact.com/us/products/1529807>

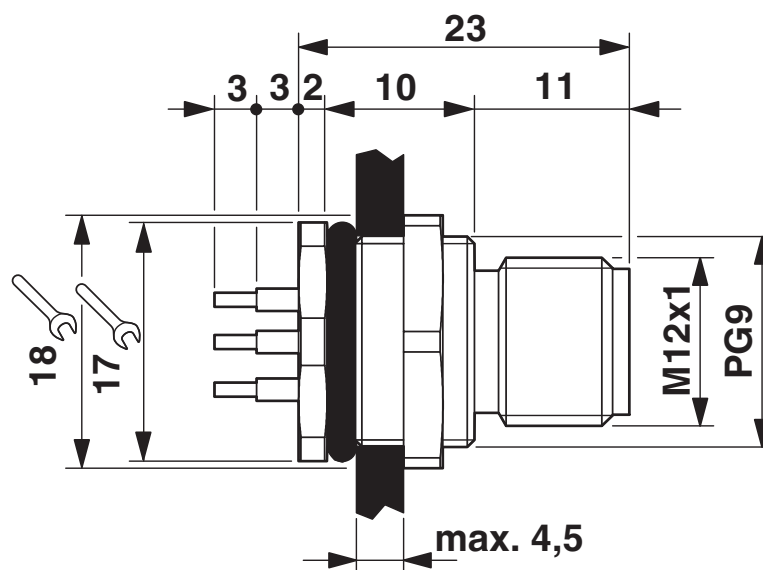
Drawings

Schematic diagram



Pin assignment M12 plug, 8-pos., view plug side

Dimensional drawing



Dimensional drawing

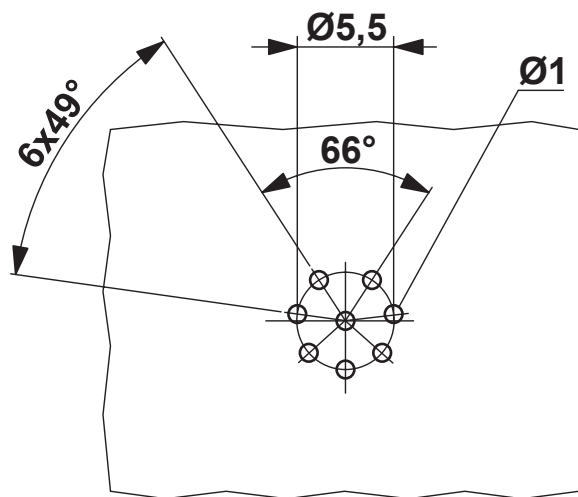
SACC-DSI-M12MS-8CON-L180 VA - Device connector, rear mounting



1529807

<https://www.phoenixcontact.com/us/products/1529807>

Drilling plan/solder pad geometry



M12 flush-type plug

SACC-DSI-M12MS-8CON-L180 VA - Device connector, rear mounting




1529807

<https://www.phoenixcontact.com/us/products/1529807>

Approvals

To download certificates, visit the product detail page: <https://www.phoenixcontact.com/us/products/1529807>

 UL Recognized Approval ID: E118976-20100522				
	Nominal Voltage U_N	Nominal Current I_N	Cross Section AWG	Cross Section mm^2
	30 V	2 A	- 24	-

 EAC Approval ID: B.01687				
--	--	--	--	--

 cULus Recognized Approval ID: E221474-20140616				
	Nominal Voltage U_N	Nominal Current I_N	Cross Section AWG	Cross Section mm^2
	30 V	2 A	24 - 22	-

SACC-DSI-M12MS-8CON-L180 VA - Device connector, rear mounting



1529807

<https://www.phoenixcontact.com/us/products/1529807>

Classifications

ECLASS

ECLASS-11.0	27440102
ECLASS-12.0	27440116
ECLASS-13.0	27440116

ETIM

ETIM 8.0	EC002635
----------	----------

UNSPSC

UNSPSC 21.0	39121400
-------------	----------

SACC-DSI-M12MS-8CON-L180 VA - Device connector, rear mounting



1529807

<https://www.phoenixcontact.com/us/products/1529807>

Environmental Product Compliance

REACH SVHC	Lead 7439-92-1
China RoHS	Environmentally Friendly Use Period = 50 years
	For information on hazardous substances, refer to the manufacturer's declaration available under "Downloads"

SACC-DSI-M12MS-8CON-L180 VA - Device connector, rear mounting



1529807

<https://www.phoenixcontact.com/us/products/1529807>

Accessories

SACC-PG9-SEAL CLM - Flat gasket

1556320

<https://www.phoenixcontact.com/us/products/1556320>

Pg9 flat gasket, for M12 flush-type connectors with Pg9 fastening thread



PROT-M12 FS - Sealing cap

1560251

<https://www.phoenixcontact.com/us/products/1560251>

M12 sealing cap for unoccupied M12 plugs of the sensor/actuator cable, flush-type plugs and I/O devices in the field



SACC-DSI-M12MS-8CON-L180 VA - Device connector, rear mounting



1529807

<https://www.phoenixcontact.com/us/products/1529807>

PROT-M12 FS-M - Sealing cap

1430488

<https://www.phoenixcontact.com/us/products/1430488>



M12 metal sealing cap for unoccupied M12 plugs of the sensor/actuator cable, flush-type plugs and I/O devices in the field

Phoenix Contact 2023 © - all rights reserved
<https://www.phoenixcontact.com>

Phoenix Contact USA
586 Fulling Mill Road
Middletown, PA 17057, United States
(+717) 944-1300
info@phoenixcon.com