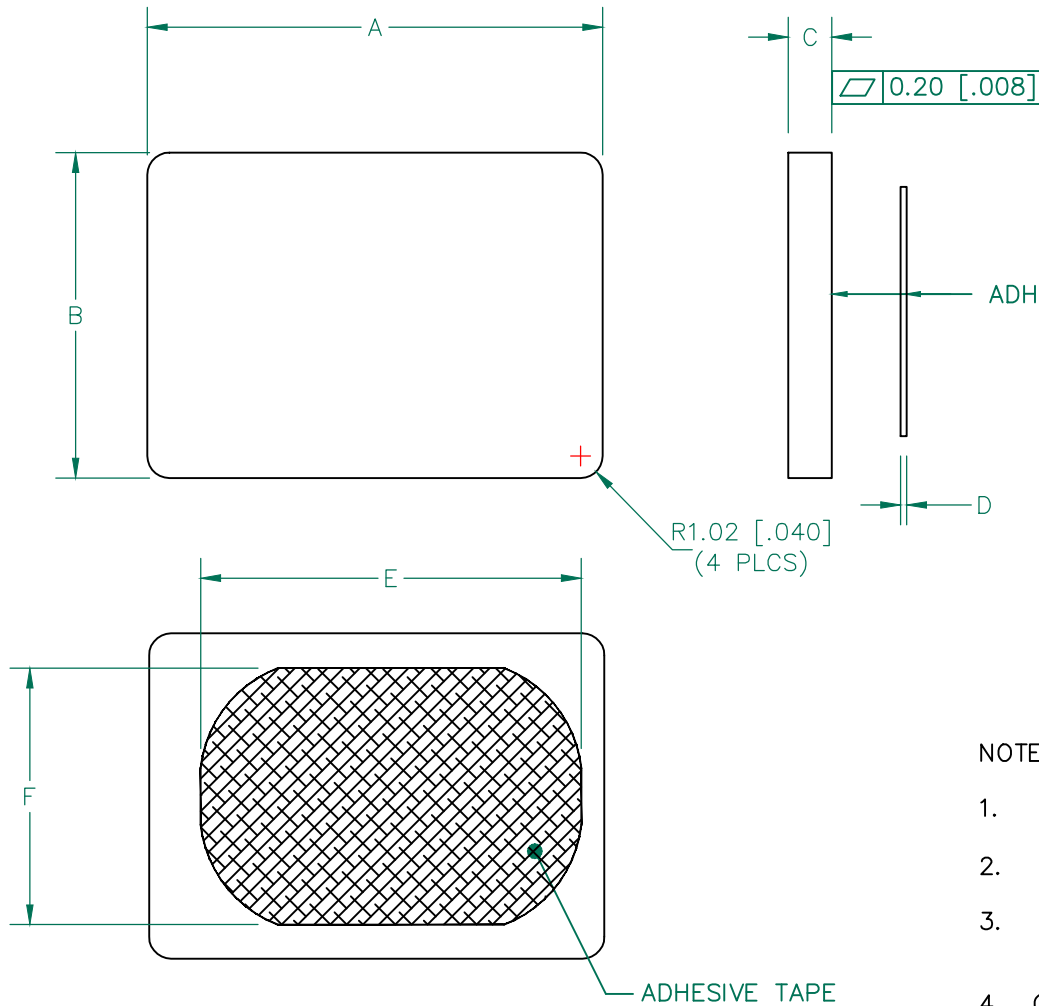


SCALE DRAWING 1:1

MP0590-200

**UNCONTROLLED DOCUMENT**



NOTES:

1. CORE: MP0590-2B0.
2. ADHESIVE: P/N 21216
3. REFERENCE 3M TAPE 468MP ADHESIVE TRANSFER TAPE OR ENGINEER APPROVED ALTERNATIVE.
4. COSMETIC SPECIFICATION REFER TO WI-QA-038.

DIMENSIONS:

A	21.00 [.827]	±	0.42 [.017]
B	15.00 [.591]	±	0.30 [.012]
C	2.00 [.079]	±	0.08 [.003]
D	0.13 [.005]	±	TYP.
E	17.78 [.700]	±	TYP.
F	11.94 [.470]	±	TYP.

WEIGHT/1000    3.12 kgs    [6.88 Lbs]

DIMENSIONS ARE IN mm [INCHES].				This print is the property of Laird Tech. and is loaned in confidence subject to return upon request and with the understanding that no copies shall be made without the written consent of Laird Tech. All rights to design or invention are reserved.		
J	UPDATE THE LOGO	06/19/15	QIU			
H	CHANGE DIMENSION D	07/09/09	JRK			
G	REMOVE PULLTAB REVISE NOTE #3	06/11/09	JRK			
F	UPDATE COMPANY LOGO & NOTE #3	12/11/08	JRK			
E	STANDARDIZE PRINT FORMAT(SeeCoverSheet)	01/26/06	JRK			
D	REV PULL TAB TO MATCH PUR.PRINT 21216	04/08/05	JRK			
C	ADD NOTE #2	09/27/04	JRK			
B	ADD PART WEIGHT	04/06/04	TMB			
A	ORIGINAL DRAFT	02/20/04	JRK			
REV	DESCRIPTION	DATE	INT			
PROJECT/PART NUMBER: <b>MP0590-200</b>				REV: <b>J</b>	PART TYPE: <b>FERRITE PLATE</b>	DRAWN BY: <b>JRK</b>
DATE: <b>02/20/04</b>				SCALE: <b>3 : 1</b>	MATERIAL: <b>Ferrite</b>	
CAD # <b>MP0590-200-J</b>				TOOL # <b>P0590</b>		