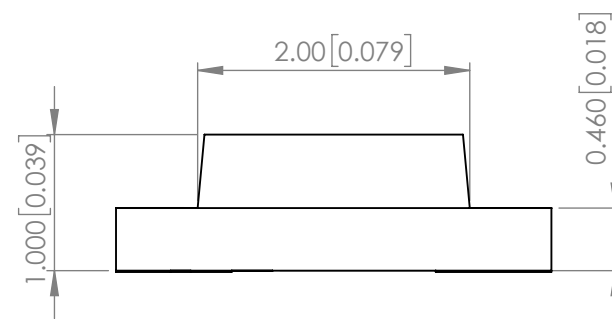
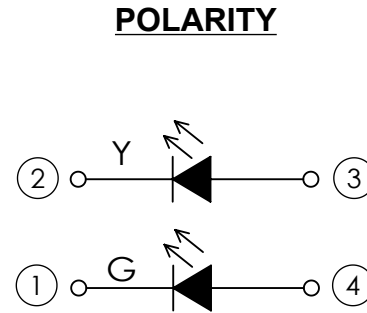
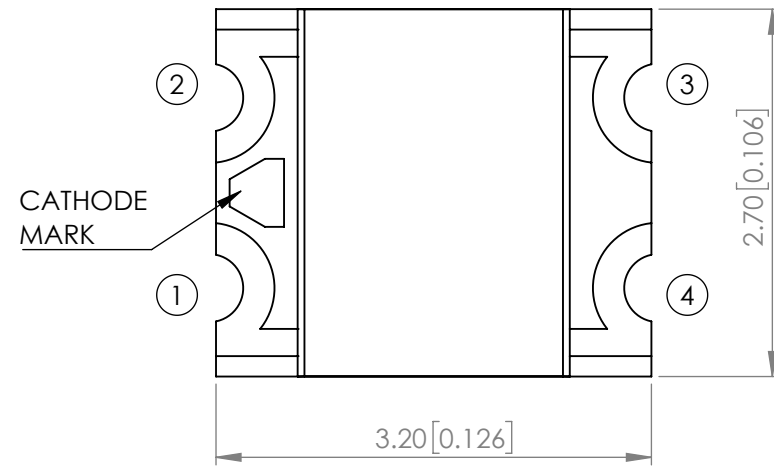
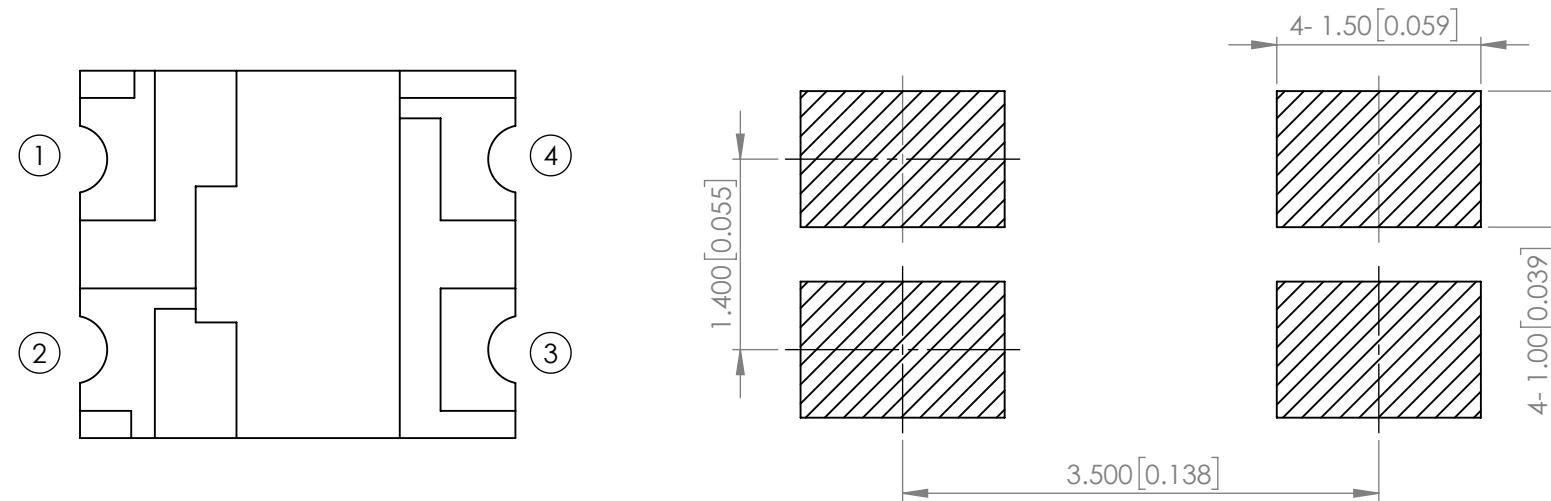


PART NUMBER		SML-LX1210YGC-TR	REV	J
REV	E.C.N. NUMBER AND REVISION COMMENTS		DATE	
A	ADDED TAPE W/POLARITY AND DIRECTION		11.06.95	
B	E.C.N. #10324.		03.17.97	
C	E.C.N. #10404. & #10BRDR & REDRAWN.		05.22.98	
D	E.C.N. #10695.		01.04.01	
E	E.C.N. #10834.		01.24.02	
F	E.C.N. #10972.		03.25.03	
G	E.C.N. #11014.		07.11.03	
H	E.C.N. #11148.		02.07.05	
I	E.C.N. #11479.		02.22.08	
J	ECN-Lumex202100077		12.23.21	



RECOMMENDED SOLDER PAD LAYOUT



ELECTRO-OPTICAL CHARACTERISTIC TA=25°C

PARAMETER		MIN	TYP	MAX	UNITS	TEST COND
PEAK WAVELENGTH	Y	-	590	-	nm	If=20mA
	G	-	575	-		
FORWARD VOLTAGE	Y	-	2.0	2.4	Vf	If=20mA
	G	-	2.0	2.4		
REVERSE CURRENT		-	-	10	uA	Vr=5V
LUMINOUS INTENSITY	Y	-	40	-	mcd	If=20mA
	G	-	15	-		
VIEWING ANGLE		-	140	-	2x theta1/2	-
EMITTED COLOR	YELLOW / GREEN					
EPOXY LENS FINISH	WATER CLEAR					

ABSOLUTE MAXIMUM RATINGS TA=25°C

PARAMETER	MAX	UNITS
PEAK FORWARD CURRENT (Y/G)	60 / 60	mA
FORWARD CURRENT (Y/G)	25 / 25	mA
REVERSE VOLTAGE	5	V
POWER DISSIPATION (Y/G)	60 / 60	mW
STORAGE TEMPERATURE	-40 TO +90	°C
OPERATING TEMPERATURE	-40 TO +85	°C

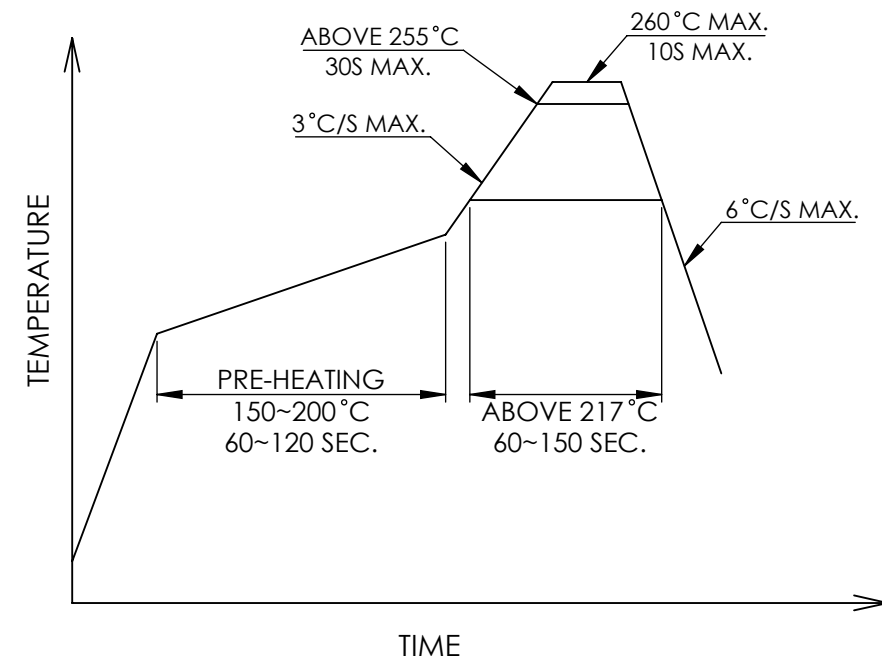
* 1/10 DUTY CYCLE 0.1ms PULSE.

**MOISTURE SENSITIVE DEVICE
PER JEDEC LEVEL 3 STANDARDS**

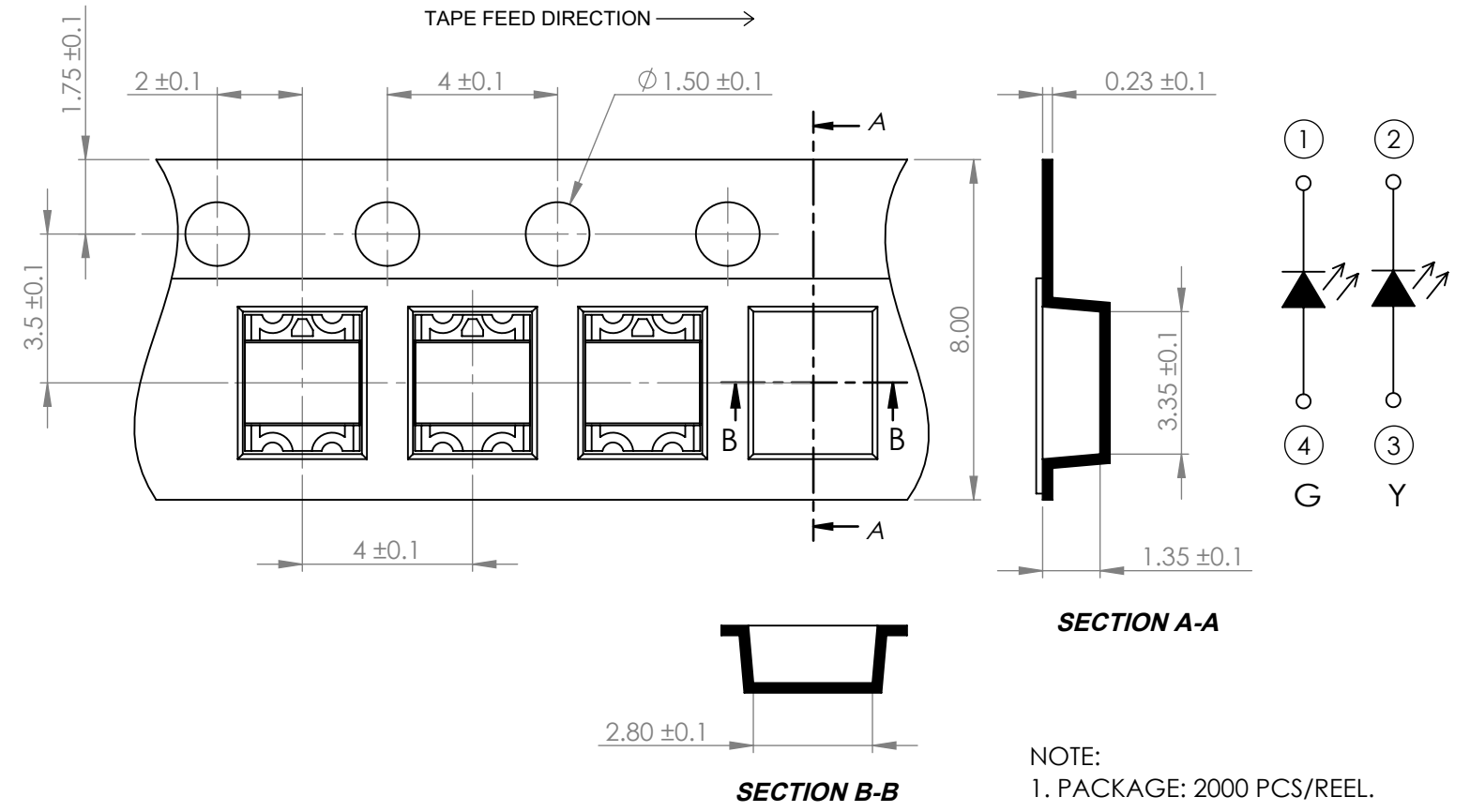
*UNLESS OTHERWISE SPECIFIED TOLERANCES PER DECIMAL PRECISION ARE: X=±1 (±0.039), X.X=±0.5 (±0.020), X.XX=±0.25 (±0.010), X.XXX=±0.127 (±0.005). LEAD SIZE=±0.05 (±0.002), LEAD LENGTH=±0.75 (±0.030). MIN= ^{+DECIMAL PRECISION}/_{-0.00} MAX.= ^{+0.00}/_{-DECIMAL PRECISION}

<p>425 N. GARY AVE. CAROL STREAM, IL 60188 PHONE : 800-278-5666 FAX : 630-315-2150 WEB : WWW.LUMEX.COM</p>	3.2(L)*2.7(W)*1.0(H)mm, PCB SURFACE MOUNT TOP VIEW LED, 590nm YELLOW, 575nm GREEN, WATER CLEAR LENS, TAPE & REEL.	DATE : 2021.12.23	DRAWN BY : C.C.	
	THE SPECIFICATIONS MAY CHANGE AT ANY TIME WITHOUT NOTICE.	PAGE : 1 OF 2	CHKD BY : E.C.	
	CONFIDENTIAL INFORMATION	SCALE : NTF	APRVD BY : G.Y.	
	THE INFORMATION CONTAINED IN THIS DOCUMENT IS THE PROPERTY OF LUMEX INC. EXCEPT AS SPECIFICALLY AUTHORIZED IN WRITING BY LUMEX INC., THE HOLDER OF THIS DOCUMENT SHALL KEEP ALL INFORMATION CONTAINED HEREIN CONFIDENTIAL AND SHALL PROTECT SAME IN WHOLE OR IN PART FROM DISCLOSURE AND DISSEMINATION TO ALL THIRD PARTIES.	UNIT : mm [INCH]		

PROFILE



CARRIER TAPE DIMENSION



NOTE:
1. PACKAGE: 2000 PCS/REEL.

*UNLESS OTHERWISE SPECIFIED TOLERANCES PER DECIMAL PRECISION ARE: X=±1 (±0.039), X.X=±0.5 (±0.020), X.XX=±0.25 (±0.010), X.XXX=±0.127 (±0.005). LEAD SIZE=±0.05 (±0.002), LEAD LENGTH=±0.75 (±0.030). MIN= ^{+DECIMAL PRECISION}/_{-0.00} MAX.= ^{+0.00}/_{-DECIMAL PRECISION}

<p>425 N. GARY AVE. CAROL STREAM, IL 60188 PHONE : 800-278-5666 FAX : 630-315-2150 WEB : WWW.LUMEX.COM</p>	3.2(L)*2.7(W)*1.0(H)mm, PCB SURFACE MOUNT TOP VIEW LED, 590nm YELLOW, 575nm GREEN, WATER CLEAR LENS, TAPE & REEL.	DATE : 2021.12.23	DRAWN BY : C.C.	
	THE SPECIFICATIONS MAY CHANGE AT ANY TIME WITHOUT NOTICE.	PAGE : 2 OF 2	CHKD BY : E.C.	
	CONFIDENTIAL INFORMATION	SCALE : NTF	APRVD BY : G.Y.	
	THE INFORMATION CONTAINED IN THIS DOCUMENT IS THE PROPERTY OF LUMEX INC. EXCEPT AS SPECIFICALLY AUTHORIZED IN WRITING BY LUMEX INC., THE HOLDER OF THIS DOCUMENT SHALL KEEP ALL INFORMATION CONTAINED HEREIN CONFIDENTIAL AND SHALL PROTECT SAME IN WHOLE OR IN PART FROM DISCLOSURE AND DISSEMINATION TO ALL THIRD PARTIES.	UNIT : mm [INCH]		