

STG-MTN 1,5-2,5 - Crimp contact



3190506

<https://www.phoenixcontact.com/us/products/3190506>

Please be informed that the data shown in this PDF document is generated from our Online Catalog. Please find the complete data in the user documentation. Our General Terms of Use for Downloads are valid.



Module socket contact, inserted in the PCC or HCC plug housing after crimping the conductor, for 1.5 mm² ... 2.5 mm² conductors

Commercial Data

Item number	3190506
Packing unit	1 pc
Minimum order quantity	100 pc
Sales Key	AA03
Product Key	AACCEG
Catalog Page	Page 294 (C-1-2019)
GTIN	4017918093372
Weight per Piece (including packing)	0.469 g
Weight per Piece (excluding packing)	0.462 g
Customs tariff number	85366990
Country of origin	PL

STG-MTN 1,5-2,5 - Crimp contact

3190506

<https://www.phoenixcontact.com/us/products/3190506>



Technical Data

Product properties

Product type	Connector
Product family	MSTBC-MT
Pitch	0 mm

Dimensions

Dimensional drawing	
Pitch	0 mm

Material specifications

Contact surface	Tin Sn
Contact surface material	Tin

Mounting

Connection method	Crimp connection
-------------------	------------------

STG-MTN 1,5-2,5 - Crimp contact

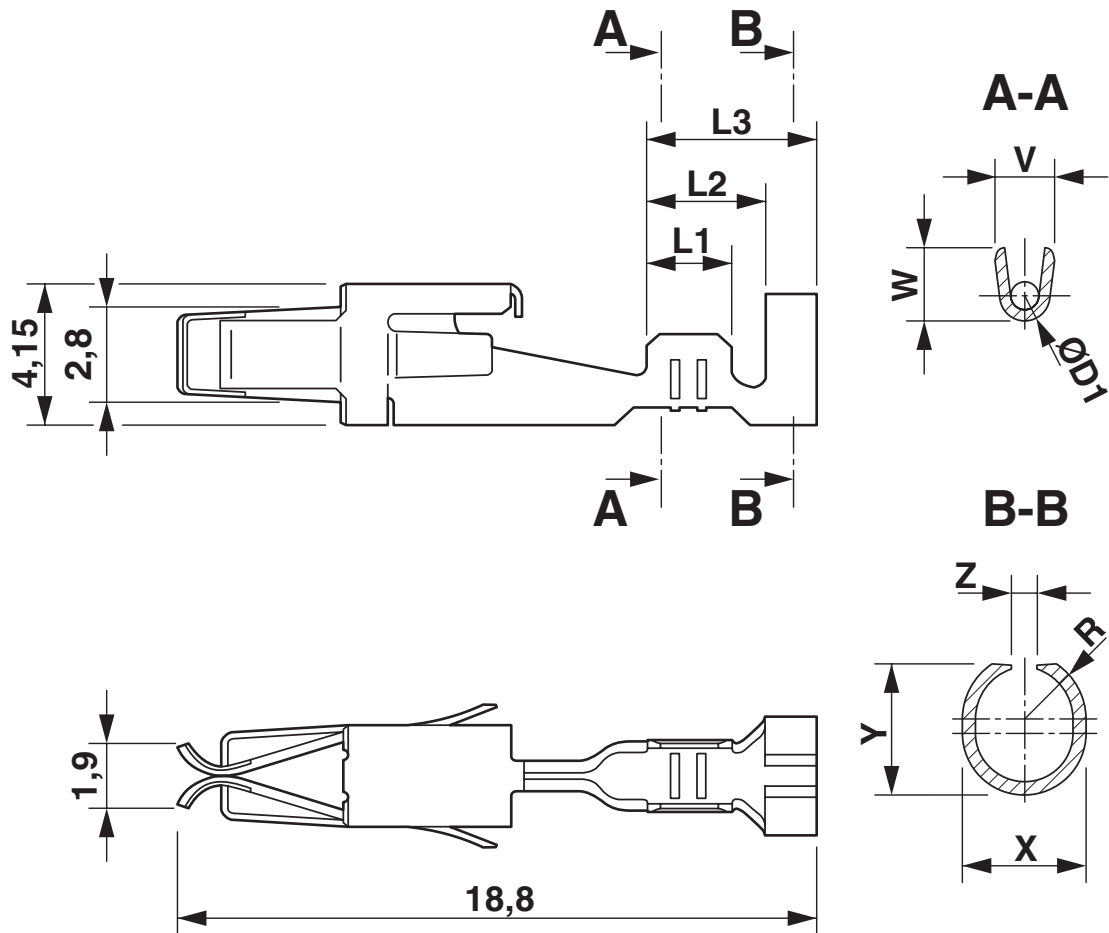
3190506

<https://www.phoenixcontact.com/us/products/3190506>



Drawings

Dimensional drawing



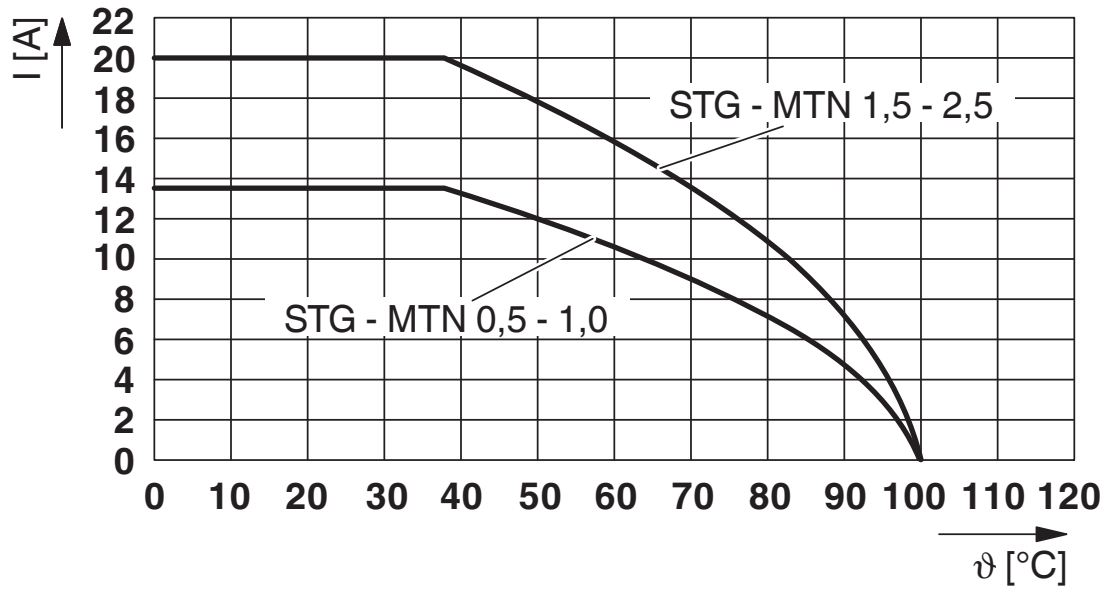
STG-MTN 1,5-2,5 - Crimp contact



3190506

<https://www.phoenixcontact.com/us/products/3190506>

Diagram



STG-MTN 1,5-2,5 - Crimp contact

3190506

<https://www.phoenixcontact.com/us/products/3190506>



Approvals

To download certificates, visit the product detail page: <https://www.phoenixcontact.com/us/products/3190506>



EAC

Approval ID: RU C-DE.BL08.B.00511

STG-MTN 1,5-2,5 - Crimp contact



3190506

<https://www.phoenixcontact.com/us/products/3190506>

Classifications

ECLASS

ECLASS-11.0	27469090
ECLASS-12.0	27469090
ECLASS-13.0	27469090

ETIM

ETIM 8.0	EC002943
----------	----------

UNSPSC

UNSPSC 21.0	39121400
-------------	----------

STG-MTN 1,5-2,5 - Crimp contact

3190506

<https://www.phoenixcontact.com/us/products/3190506>



Environmental Product Compliance

China RoHS	Environmentally friendly use period: unlimited = EFUP-e
	No hazardous substances above threshold values

STG-MTN 1,5-2,5 - Crimp contact

3190506

<https://www.phoenixcontact.com/us/products/3190506>



Accessories

CRIMPFOX MT 2,5 - Crimping pliers

1204038

<https://www.phoenixcontact.com/us/products/1204038>

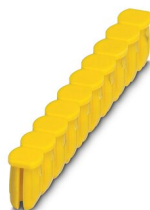


Crimping pliers, for crimping conductors to the module female contacts STG-MTN, crimp range: 0.5-2.5 mm², AWG: 20-14

CEC 2,5 - Filler plugs

3062757

<https://www.phoenixcontact.com/us/products/3062757>



Cover for conductor shaft, 10-pos., for spring cage terminal blocks (ST) and terminal blocks with push-in technology (PT) with a width of 5.2 mm

STG-MTN 1,5-2,5 - Crimp contact

3190506

<https://www.phoenixcontact.com/us/products/3190506>



WST 2,5 - Warning cover

3030941

<https://www.phoenixcontact.com/us/products/3030941>



Warning cover, 5-pos., for terminal width: 5.2 mm

Phoenix Contact 2023 © - all rights reserved

<https://www.phoenixcontact.com>

Phoenix Contact USA
586 Fulling Mill Road
Middletown, PA 17057, United States
(+717) 944-1300
info@phoenixcon.com