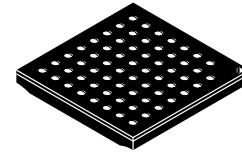


1/3-inch 1.2 Mp CMOS Digital Image Sensor with Global Shutter

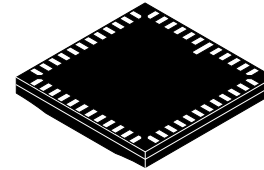
AR0134CS

Description

The AR0134CS from onsemi is a 1/3-inch 1.2 Mp CMOS digital image sensor with an active-pixel array of 1280 (H) x 960 (V). It is designed for low light performance and features a global shutter for accurate capture of moving scenes. It includes sophisticated camera functions such as auto exposure control, windowing, scaling, row skip mode, and both video and single frame modes. It is programmable through a simple two-wire serial interface. The AR0134CS produces extraordinarily clear, sharp digital pictures, and its ability to capture both continuous video and single frames makes it the perfect choice for a wide range of applications, including scanning and industrial inspection.



IBGA63 9 × 9
CASE 503AG



ILCC48 10 × 10
CASE 847AE

ORDERING INFORMATION

See detailed ordering and shipping information on page 2 of this data sheet.

Table 1. KEY PERFORMANCE PARAMETERS

| Parameter | Typical Value |
|-----------------------------------------------------|------------------------------------------------------------|
| Optical Format | 1/3-inch (6 mm) |
| Active Pixels | 1280 (H) × 960 (V) = 1.2 Mp |
| Pixel Size | 3.75 μm |
| Color Filter Array | RGB Bayer or Monochrome |
| Shutter Type | Global Shutter |
| Input Clock Range | 6–50 MHz |
| Output Pixel Clock (Maximum) | 74.25 MHz |
| Output Serial Parallel | HiSPi 12-bit |
| Frame Rate Full Resolution 720p | 54 fps 60 fps |
| Responsivity Monochrome Color | 6.1 V/lux-sec 5.3 V/lux-sec |
| SNR _{MAX} | 38.6 dB |
| Dynamic Range | 64 dB |
| Supply Voltage I/O Digital Analog HiSPi | 1.8 or 2.8 V 1.8 V 2.8 V 0.4 V |
| Power Consumption | < 400 mW |
| Operating Temperature | –30°C to + 70°C (Ambient) –30°C to + 80°C (Junction) |
| Package Options | 9 × 9 mm 63-pin iBGA 10 × 10 mm 48-pin iLCC Bare Die |

Features

- onsemi's 3rd Generation Global Shutter Technology
- Superior Low-light Performance
- HD Video (720p60)
- Video/Single Frame Mode
- Flexible Row-skip Modes
- On-chip AE and Statistics Engine
- Parallel and Serial Output
- Support for External LED or Flash
- Auto Black Level Calibration
- Context Switching

Applications

- Scene Processing
- Scanning and Machine Vision
- 720p60 Video Applications

AR0134CS

ORDERING INFORMATION

Table 2. ORDERABLE PART NUMBERS

| Part Number | Description | Orderable Product Attribute Description |
|-------------------------|--------------------------|------------------------------------------|
| AR0134CSSM25SUEA0-DRBR1 | Mono, 25° CRA, iBGA | Dry Pack With No Protective Film MOQ 260 |
| AR0134CSSC00SPD20 | Color, 0° CRA, Bare Die | |
| AR0134CSSM00SPD20 | Mono, 0° CRA, Bare Die | |
| AR0134CSSC00SUEAH3-GEVB | Color, 0° CRA, Headboard | |
| AR0134CSSC00SPCA0-DPBR | Color, 0° CRA, iLCC | Dry Pack With Protective Film |
| AR0134CSSC00SPCA0-DRBR | Color, 0° CRA, iLCC | Dry Pack No Protective Film |
| AR0134CSSC00SUEA0-DPBR | Color, 0° CRA, iBGA | Dry Pack With Protective Film |
| AR0134CSSC00SUEA0-DRBR | Color, 0° CRA, iBGA | Dry Pack No Protective Film |
| AR0134CSSM00SPCA0-DPBR | Mono, 0° CRA, iLCC | Dry Pack With Protective Film |
| AR0134CSSM00SPCA0-DRBR | Mono, 0° CRA, iLCC | Dry Pack No Protective Film |
| AR0134CSSM00SUEA0-DPBR | Mono, 0° CRA, iBGA | Dry Pack With Protective Film |
| AR0134CSSM00SUEA0-DRBR | Mono, 0° CRA, iBGA | Dry Pack No Protective Film |
| AR0134CSSM25SUEA0-DRBR | Mono, 25° CRA, iBGA | Dry Pack No Protective Film |
| AR0134CSSC00SUEA0-DPBR1 | Color, 0° CRA, iBGA | Dry Pack With Protective Film MOQ 260 |
| AR0134CSSM00SUEA0-DPBR1 | Mono, 0° CRA, iBGA | Dry Pack With Protective Film MOQ 260 |
| AR0134CSSM00SPCA0-DPBR1 | Mono, 0° CRA, iLCC | Dry Pack With Protective Film MOQ 240 |
| AR0134CSSC00SPCA0-TPBR | Color, 0° CRA, iLCC | Tape and Reel With Protective Film |
| AR0134CSSC00SPCA0-TRBR | Color, 0° CRA, iLCC | Tape and Reel No Protective Film |
| AR0134CSSC00SUEA0-TPBR | Color, 0° CRA, iBGA | Tape and Reel With Protective Film |
| AR0134CSSC00SUEA0-TRBR | Color, 0° CRA, iBGA | Tape and Reel No Protective Film |
| AR0134CSSM00SPCA0-TPBR | Mono, 0° CRA, iLCC | Tape and Reel With Protective Film |
| AR0134CSSM00SPCA0-TRBR | Mono, 0° CRA, iLCC | Tape and Reel No Protective Film |
| AR0134CSSM00SUEA0-TPBR | Mono, 0° CRA, iBGA | Tape and Reel With Protective Film |
| AR0134CSSM00SUEA0-TRBR | Mono, 0° CRA, iBGA | Tape and Reel No Protective Film |
| AR0134CSSM25SPCA0-TPBR | Mono, 25° CRA, iLCC | Tape and Reel With Protective Film |
| AR0134CSSM25SUEA0-TPBR | Mono, 25° CRA, iBGA | Tape and Reel With Protective Film |
| AR0134CSSM25SUEA0-TRBR | Mono, 25° CRA, iBGA | Tape and Reel No Protective Film |
| AR0134CSSM25SUEA0-DPBR | Mono, 25° CRA, iBGA | Dry Pack With Protective Film |
| AR0134CSSM25SPD20 | Mono, 25° CRA, Bare Die | |
| AR0134CSSM00SPCA0-DPBR2 | Mono, 0° CRA, iLCC | Dry Pack with Protective Film MOQ |
| AR0134CSSM00SUEAH3-GEVB | Mono, 0° CRA, Headboard | |
| AR0134CSSM25SUEAH3-GEVB | Mono, 25° CRA, Headboard | |

See the **onsemi** Device Nomenclature document ([TND310/D](#)) for a full description of the naming convention used for image sensors. For reference documentation, including information on evaluation kits, please visit our web site at www.onsemi.com.

GENERAL DESCRIPTION

The **onsemi** AR0134CS can be operated in its default mode or programmed for frame size, exposure, gain, and other parameters. The default mode output is a full-resolution image at 54 frames per second (fps). It outputs 12-bit raw data, using either the parallel or serial

(HiSpi) output ports. The device may be operated in video (master) mode or in frame trigger mode.

FRAME_VALID and LINE_VALID signals are output on dedicated pins, along with a synchronized pixel clock. A dedicated FLASH pin can be programmed to control external LED or flash exposure illumination.

The AR0134CS includes additional features to allow application-specific tuning: windowing, adjustable auto-exposure control, auto black level correction, on-board temperature sensor, and row skip and digital binning modes.

The sensor is designed to operate in a wide temperature range (-30°C to +70°C).

AR0134CS

FUNCTIONAL OVERVIEW

The AR0134CS is a progressive-scan sensor that generates a stream of pixel data at a constant frame rate. It uses an on-chip, phase-locked loop (PLL) that can be optionally enabled to generate all internal clocks from a

single master input clock running between 6 and 50 MHz. The maximum output pixel rate is 74.25 Mp/s, corresponding to a clock rate of 74.25 MHz. Figure 1 shows a block diagram of the sensor.

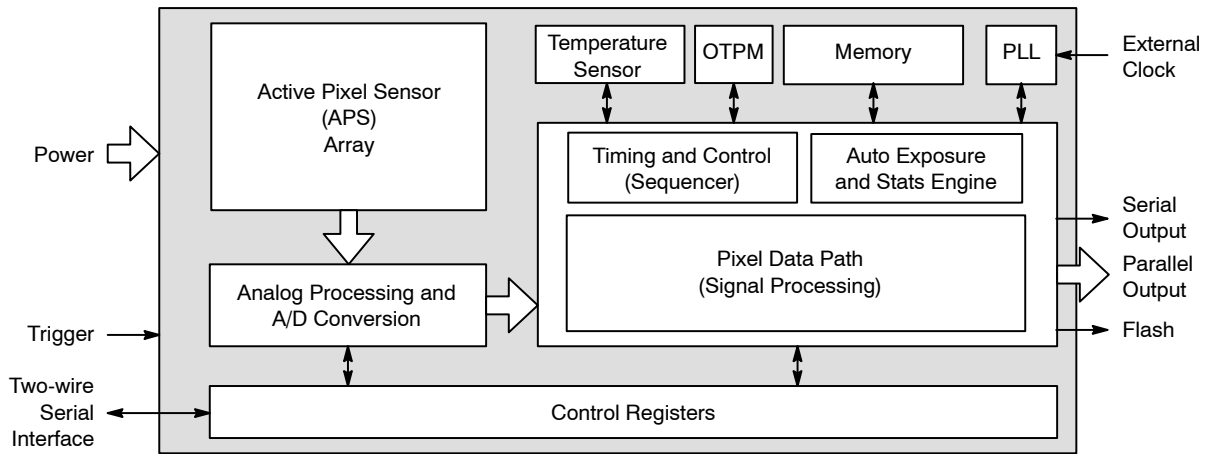


Figure 1. Block Diagram

User interaction with the sensor is through the two-wire serial bus, which communicates with the array control, analog signal chain, and digital signal chain. The core of the sensor is a 1.2 Mp Active-Pixel Sensor array. The AR0134CS features global shutter technology for accurate capture of moving images. The exposure of the entire array is controlled by programming the integration time by register setting. All rows simultaneously integrate light prior to readout. Once a row has been read, the data from the columns is sequenced through an analog signal chain (providing offset correction and gain), and then through an analog-to-digital converter (ADC). The output from the ADC is a 12-bit value for each pixel in the array. The ADC output passes through a digital processing signal chain (which provides further data path corrections and applies digital gain). The pixel data are output at a rate of up to 74.25 Mp/s, in parallel to frame and line synchronization signals.

FEATURES OVERVIEW

The AR0134CS Global Sensor shutter has a wide array of features to enhance functionality and to increase versatility. A summary of features follows. Please refer to the AR0134CS Developer Guide for detailed feature descriptions, register settings, and tuning guidelines and recommendations.

- Operating Modes

The AR0134CS works in master (video), trigger (single frame), or Auto Trigger modes. In master mode, the sensor generates the integration and readout timing. In trigger mode, it accepts an external trigger to start exposure, then generates the exposure and readout timing. The exposure time is programmed through the

two-wire serial interface for both modes. Trigger mode is not compatible with the HiSPi interface.

- Window Control

Configurable window size and blanking times allow a wide range of resolutions and frame rates. Digital binning and skipping modes are supported, as are vertical and horizontal mirror operations.

- Context Switching

Context switching may be used to rapidly switch between two sets of register values. Refer to the AR0134CS Developer Guide for a complete set of context switchable registers.

- Gain

The AR0134CS Global Shutter sensor can be configured for analog gain of up to 8x, and digital gain of up to 8x.

- Automatic Exposure Control

The integrated automatic exposure control may be used to ensure optimal settings of exposure and gain are computed and updated every other frame. Refer to the AR0134CS Developer Guide for more details.

- HiSPi

The AR0134CS Global Shutter image sensor supports two or three lanes of Streaming-SP or Packetized-SP protocols of **onsemi**'s High-Speed Serial Pixel Interface.

- PLL

An on chip PLL provides reference clock flexibility and supports spread spectrum sources for improved EMI performance.

AR0134CS

- **Reset**
The AR0134CS may be reset by a register write, or by a dedicated input pin.
- **Output Enable**
The AR0134CS output pins may be tri-stated using a dedicated output enable pin.
- **Temperature Sensor**
The temperature sensor is only guaranteed to be functional when the AR0134CS is initially powered-up or is reset at temperatures at or above 0°C.
- **Black Level Correction**
- **Row Noise Correction**
- **Column Correction**
- **Test Patterns**
Several test patterns may be enabled for debug purposes. These include a solid color, color bar, fade to grey, and a walking 1s test pattern.

PIXEL DATA FORMAT

Pixel Array Structure

The AR0134CS pixel array is configured as 1412 columns by 1028 rows, (see Figure 2). The dark pixels are optically black and are used internally to monitor black level. Of the right 108 columns, 64 are dark pixels used for row noise correction. Of the top 24 rows of pixels, 12 of the dark rows are used for black level correction. There are 1296 columns by 976 rows of optically active pixels. While the sensor's format is 1280 × 960, the additional active columns and active rows are included for use when horizontal or vertical mirrored readout is enabled, to allow readout to start on the same pixel. The pixel adjustment is always performed for monochrome or color versions. The active area is surrounded with optically transparent dummy pixels to improve image uniformity within the active area. Not all dummy pixels or barrier pixels can be read out.

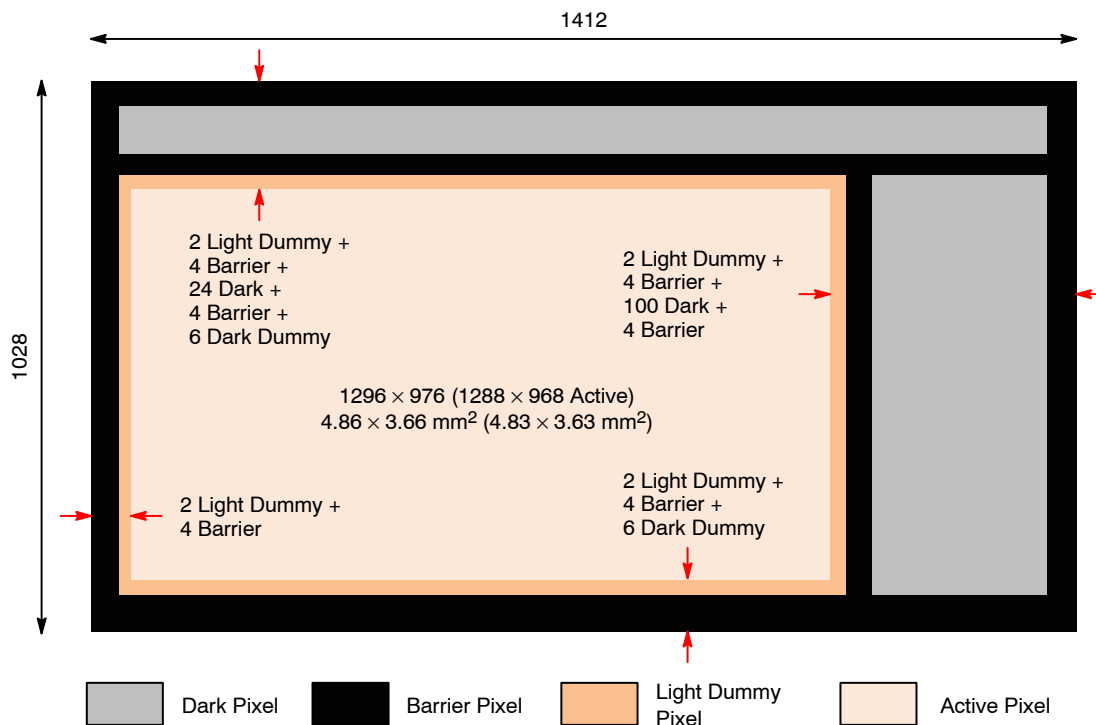


Figure 2. Pixel Array Description

AR0134CS

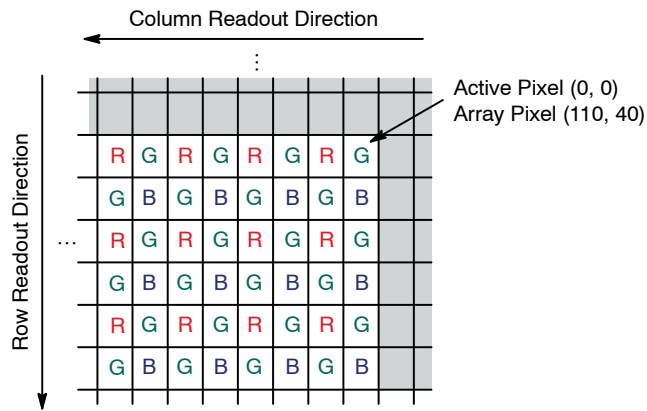


Figure 3. Pixel Color Pattern Detail (Top Right Corner)

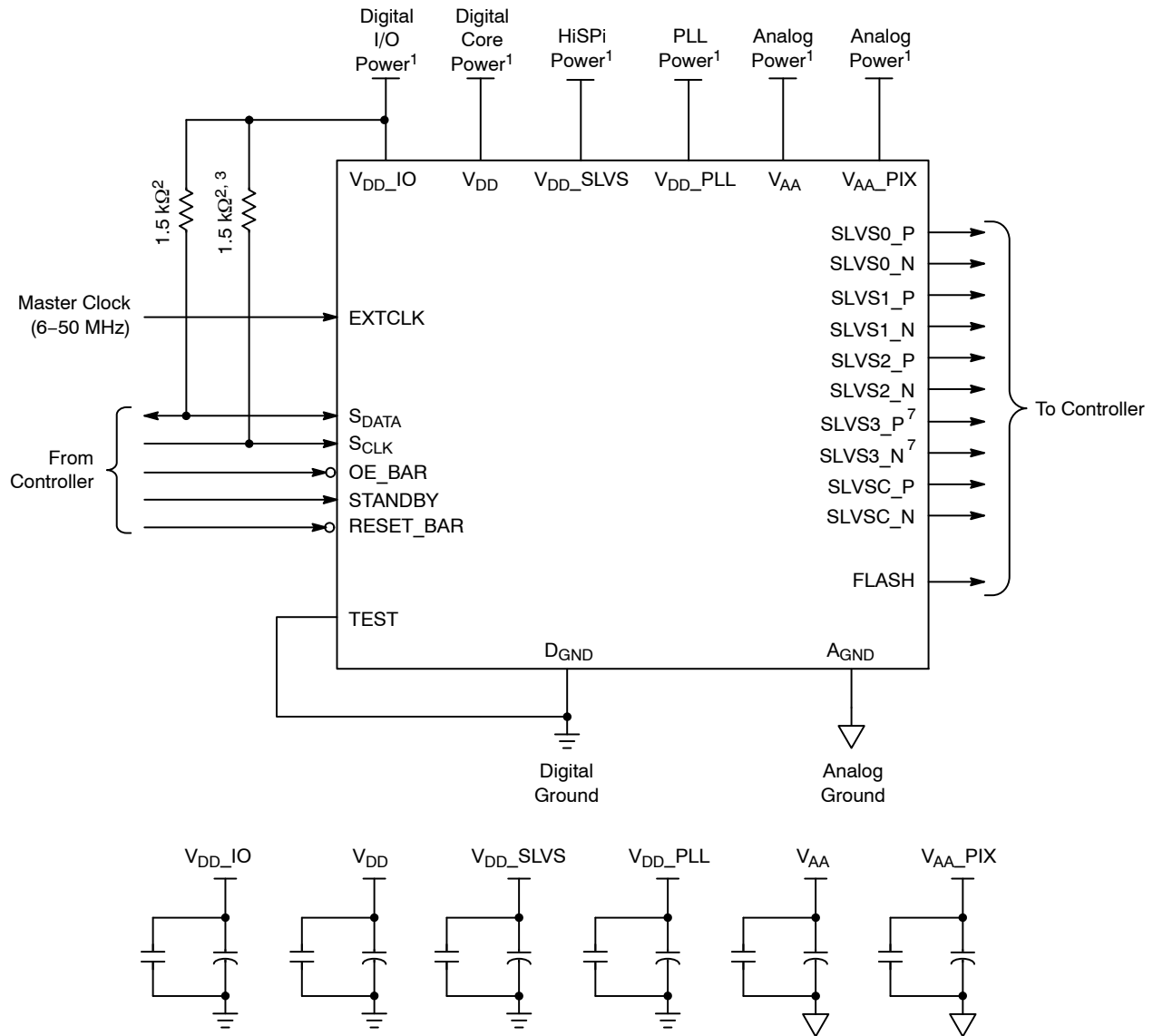
Default Readout Order

By convention, the sensor core pixel array is shown with the first addressable (logical) pixel (0,0) in the top right corner (see Figure 3). This reflects the actual layout of the array on the die. Also, the physical location of the first pixel data read out of the sensor in default condition is that of pixel (110, 40).

CONFIGURATION AND PINOUT

The figures and tables below show a typical configuration for the AR0134CS image sensor and show the package pinouts.

AR0134CS

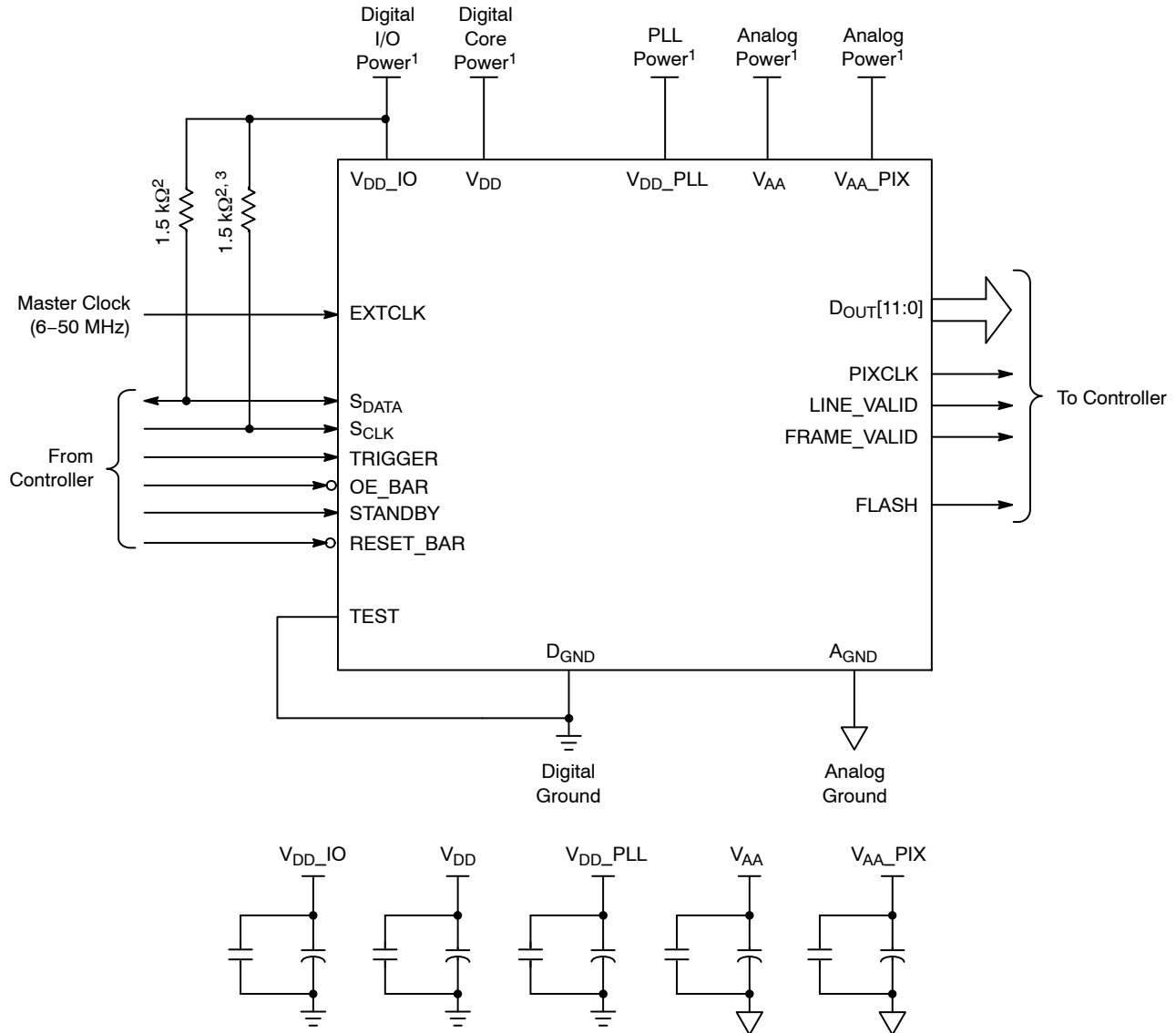


Notes:

1. All power supplies must be adequately decoupled.
2. **onsemi** recommends a resistor value of 1.5 kΩ, but a greater value may be used for slower two-wire speed.
3. This pull-up resistor is not required if the controller drives a valid logic level on S_{CLK} at all times.
4. The parallel interface output pads can be left unconnected if the serial output interface is used.
5. **onsemi** recommends that 0.1 μF and 10 μF decoupling capacitors for each power supply are mounted as close as possible to the pad. Actual values and results may vary depending on the layout and design considerations. Refer to the AR0134CS demo headboard schematics for circuit recommendations.
6. **onsemi** recommends that analog power planes be placed in a manner such that coupling with the digital power planes is minimized.
7. Although 4 serial lanes are shown, the AR0134CS supports only 2- or 3-lane HiSPi.

Figure 4. Serial 4-lane HiSPi Interface

AR0134CS

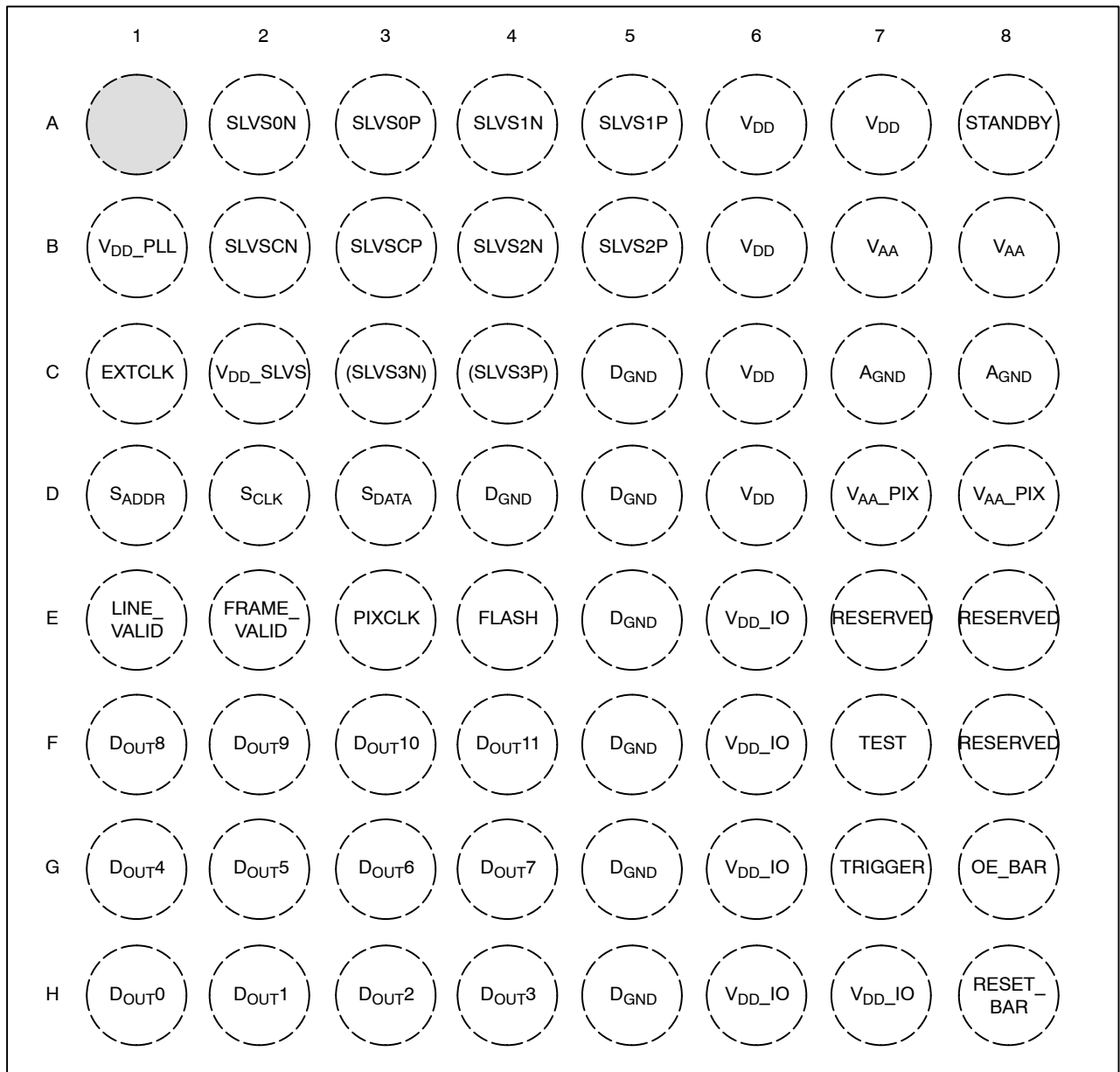


Notes:

1. All power supplies must be adequately decoupled.
2. **onsemi** recommends a resistor value of 1.5 k Ω , but a greater value may be used for slower two-wire speed.
3. This pull-up resistor is not required if the controller drives a valid logic level on S_{CLK} at all times.
4. The serial interface output pads can be left unconnected if the parallel output interface is used.
5. **onsemi** recommends that 0.1 μ F and 10 μ F decoupling capacitors for each power supply are mounted as close as possible to the pad. Actual values and results may vary depending on the layout and design considerations. Refer to the AR0134CS demo headboard schematics for circuit recommendations.
6. **onsemi** recommends that analog power planes be placed in a manner such that coupling with the digital power planes is minimized.

Figure 5. Parallel Pixel Data Interface

AR0134CS



Top View
(Ball Down)

Figure 6. 9 × 9 mm 63-ball iBGA Package

Table 3. PIN DESCRIPTIONS – 63-BALL IBGA PACKAGE

| Name | iBGA Pin | Type | Description |
|----------------------|----------|--------|-------------------------------------------|
| SLVS0_N | A2 | Output | HiSPi serial data, lane 0, differential N |
| SLVS0_P | A3 | Output | HiSPi serial data, lane 0, differential P |
| SLVS1_N | A4 | Output | HiSPi serial data, lane 1, differential N |
| SLVS1_P | A5 | Output | HiSPi serial data, lane 1, differential P |
| STANDBY | A8 | Input | Standby-mode enable pin (active HIGH) |
| V _{DD} _PLL | B1 | Power | PLL power |
| SLVSC_N | B2 | Output | HiSPi serial DDR clock differential N |

AR0134CS

Table 3. PIN DESCRIPTIONS – 63-BALL IBGA PACKAGE (continued)

| Name | iBGA Pin | Type | Description |
|----------------------|----------------------------|--------|-----------------------------------------------------------------------------------------|
| SLVSC_P | B3 | Output | HiSPi serial DDR clock differential P |
| SLVS2_N | B4 | Output | HiSPi serial data, lane 2, differential N |
| SLVS2_P | B5 | Output | HiSPi serial data, lane 2, differential P |
| V _{AA} | B7, B8 | Power | Analog power |
| EXTCLK | C1 | Input | External input clock |
| V _{DD_SLVS} | C2 | Power | HiSPi power (May leave unconnected if parallel interface is used) |
| SLVS3_N | C3 | Output | (Unsupported) HiSPi serial data, lane 3, differential N |
| SLVS3_P | C4 | Output | (Unsupported) HiSPi serial data, lane 3, differential P |
| D _{GND} | C5, D4, D5, E5, F5, G5, H5 | Power | Digital GND |
| V _{DD} | A6, A7, B6, C6, D6 | Power | Digital power |
| A _{GND} | C7, C8 | Power | Analog GND |
| S _{ADDR} | D1 | Input | Two-Wire Serial address select |
| S _{CLK} | D2 | Input | Two-Wire Serial clock input |
| S _{DATA} | D3 | I/O | Two-Wire Serial data I/O |
| V _{AA_PIX} | D7, D8 | Power | Pixel power |
| LINE_VALID | E1 | Output | Asserted when D _{OUT} line data is valid |
| FRAME_VALID | E2 | Output | Asserted when D _{OUT} frame data is valid |
| PIXCLK | E3 | Output | Pixel clock out. D _{OUT} is valid on rising edge of this clock |
| FLASH | E4 | Output | Control signal to drive external light sources |
| V _{DD_IO} | E6, F6, G6, H6, H7 | Power | I/O supply power |
| D _{OUT8} | F1 | Output | Parallel pixel data output |
| D _{OUT9} | F2 | Output | Parallel pixel data output |
| D _{OUT10} | F3 | Output | Parallel pixel data output |
| D _{OUT11} | F4 | Output | Parallel pixel data output (MSB) |
| TEST | F7 | Input | Manufacturing test enable pin (connect to D _{GND}) |
| D _{OUT4} | G1 | Output | Parallel pixel data output |
| D _{OUT5} | G2 | Output | Parallel pixel data output |
| D _{OUT6} | G3 | Output | Parallel pixel data output |
| D _{OUT7} | G4 | Output | Parallel pixel data output |
| TRIGGER | G7 | Input | Exposure synchronization input (Connect to D _{GND} if HiSPi interface is used) |
| OE_BAR | G8 | Input | Output enable (active LOW) |
| D _{OUT0} | H1 | Output | Parallel pixel data output (LSB) |
| D _{OUT1} | H2 | Output | Parallel pixel data output |
| D _{OUT2} | H3 | Output | Parallel pixel data output |
| D _{OUT3} | H4 | Output | Parallel pixel data output |
| RESET_BAR | H8 | Input | Asynchronous reset (active LOW). All settings are restored to factory default |
| Reserved | E7, E8, F8 | N/A | Reserved (do not connect) |

AR0134CS

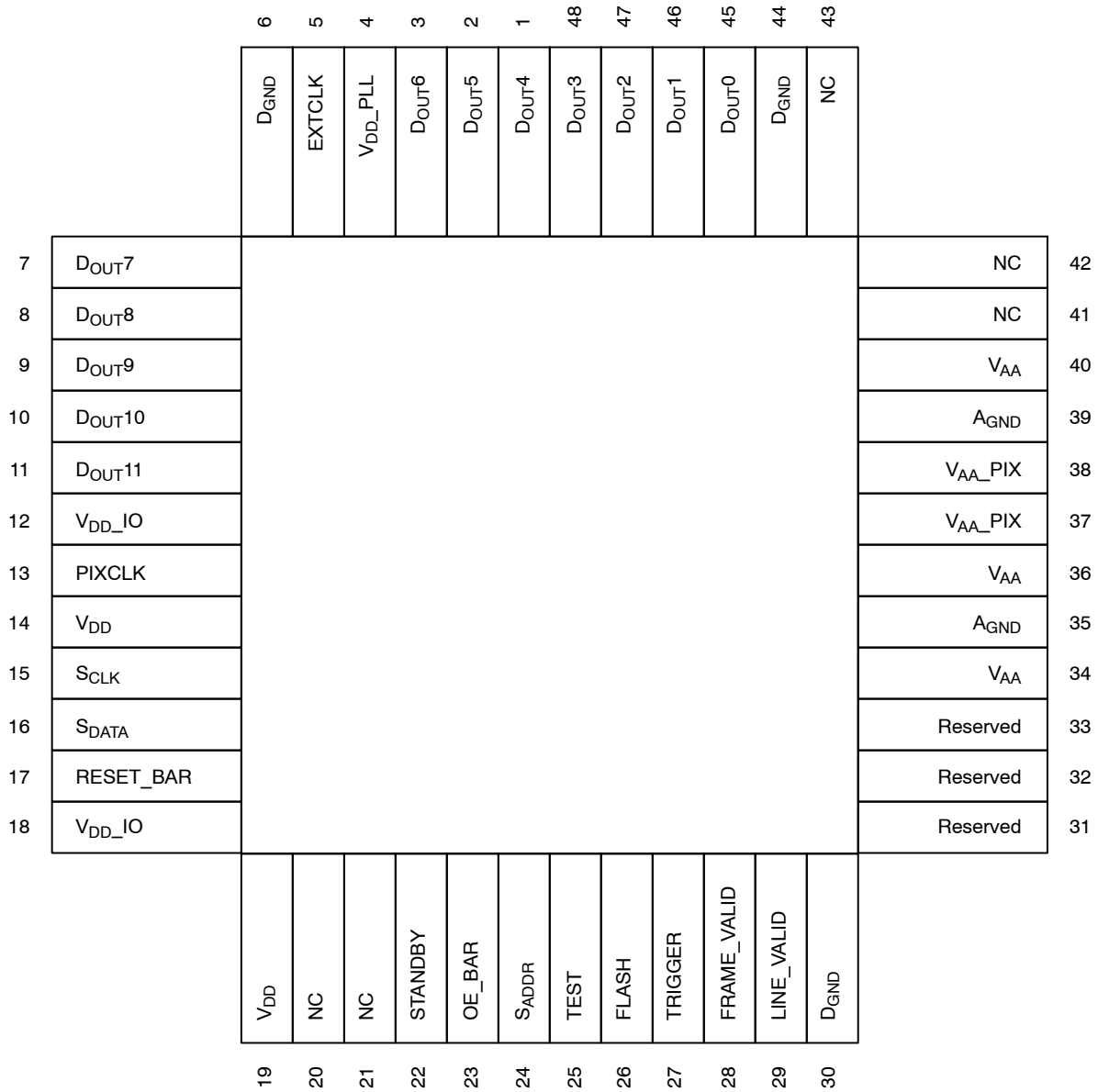


Figure 7. 10 × 10 mm 48-pin iLCC Package, Parallel Output

Table 4. PIN DESCRIPTIONS – 48-PIN ILCC PACKAGE, PARALLEL

| Pin Number | Name | Type | Description |
|------------|---------------------|--------|----------------------------|
| 1 | D _{OUT4} | Output | Parallel pixel data output |
| 2 | D _{OUT5} | Output | Parallel pixel data output |
| 3 | D _{OUT6} | Output | Parallel pixel data output |
| 4 | V _{DD_PLL} | Power | PLL power |
| 5 | EXTCLK | Input | External input clock |
| 6 | D _{GND} | Power | Digital ground |
| 7 | D _{OUT7} | Output | Parallel pixel data output |
| 8 | D _{OUT8} | Output | Parallel pixel data output |
| 9 | D _{OUT9} | Output | Parallel pixel data output |

AR0134CS

Table 4. PIN DESCRIPTIONS – 48-PIN ILCC PACKAGE, PARALLEL (continued)

| Pin Number | Name | Type | Description |
|------------|---------------------|--------|-------------------------------------------------------------------------------|
| 10 | D _{OUT} 10 | Output | Parallel pixel data output |
| 11 | D _{OUT} 11 | Output | Parallel pixel data output (MSB) |
| 12 | V _{DD_IO} | Power | I/O supply power |
| 13 | PIXCLK | Output | Pixel clock out. D _{OUT} is valid on rising edge of this clock |
| 14 | V _{DD} | Power | Digital power |
| 15 | S _{CLK} | Input | Two-Wire Serial clock input |
| 16 | S _{DATA} | I/O | Two-Wire Serial data I/O |
| 17 | RESET_BAR | Input | Asynchronous reset (active LOW). All settings are restored to factory default |
| 18 | V _{DD_IO} | Power | I/O supply power |
| 19 | V _{DD} | Power | Digital power |
| 20 | NC | | No connection |
| 21 | NC | | No connection |
| 22 | STANDBY | Input | Standby-mode enable pin (active HIGH) |
| 23 | OE_BAR | Input | Output enable (active LOW) |
| 24 | S _{ADDR} | Input | Two-Wire Serial address select |
| 25 | TEST | Input | Manufacturing test enable pin (connect to D _{GND}) |
| 26 | FLASH | Output | Flash output control |
| 27 | TRIGGER | Input | Exposure synchronization input |
| 28 | FRAME_VALID | Output | Asserted when D _{OUT} frame data is valid |
| 29 | LINE_VALID | Output | Asserted when D _{OUT} line data is valid |
| 30 | D _{GND} | Power | Digital ground |
| 31 | Reserved | N/A | Reserved (do not connect) |
| 32 | Reserved | N/A | Reserved (do not connect) |
| 33 | Reserved | N/A | Reserved (do not connect) |
| 34 | V _{AA} | Power | Analog power |
| 35 | A _{GND} | Power | Analog ground |
| 36 | V _{AA} | Power | Analog power |
| 37 | V _{AA_PIX} | Power | Pixel power |
| 38 | V _{AA_PIX} | Power | Pixel power |
| 39 | A _{GND} | Power | Analog ground |
| 40 | V _{AA} | Power | Analog power |
| 41 | NC | | No connection |
| 42 | NC | | No connection |
| 43 | NC | | No connection |
| 44 | D _{GND} | Power | Digital ground |
| 45 | D _{OUT} 0 | Output | Parallel pixel data output (LSB) |
| 46 | D _{OUT} 1 | Output | Parallel pixel data output |
| 47 | D _{OUT} 2 | Output | Parallel pixel data output |
| 48 | D _{OUT} 3 | Output | Parallel pixel data output |

TWO-WIRE SERIAL REGISTER INTERFACE

The two-wire serial interface bus enables read/write access to control and status registers within the AR0134CS.

The interface protocol uses a master/slave model in which a master controls one or more slave devices. The sensor acts as a slave device. The master generates a clock (S_{CLK}) that is an input to the sensor and is used to synchronize transfers. Data is transferred between the master and the slave on a bidirectional signal (S_{DATA}). S_{DATA} is pulled up to V_{DD_IO} off-chip by a 1.5 k Ω resistor. Either the slave or master device can drive S_{DATA} LOW – the interface protocol determines which device is allowed to drive S_{DATA} at any given time.

The protocols described in the two-wire serial interface specification allow the slave device to drive S_{CLK} LOW; the AR0134CS uses S_{CLK} as an input only and therefore never drives it LOW.

Protocol

Data transfers on the two-wire serial interface bus are performed by a sequence of low-level protocol elements:

1. a (repeated) start condition
2. a slave address/data direction byte
3. an (a no) acknowledge bit
4. a message byte
5. a stop condition

The bus is idle when both S_{CLK} and S_{DATA} are HIGH. Control of the bus is initiated with a start condition, and the bus is released with a stop condition. Only the master can generate the start and stop conditions.

Start Condition

A start condition is defined as a HIGH-to-LOW transition on S_{DATA} while S_{CLK} is HIGH. At the end of a transfer, the master can generate a start condition without previously generating a stop condition; this is known as a “repeated start” or “restart” condition.

Stop Condition

A stop condition is defined as a LOW-to-HIGH transition on S_{DATA} while S_{CLK} is HIGH.

Data Transfer

Data is transferred serially, 8 bits at a time, with the MSB transmitted first. Each byte of data is followed by an acknowledge bit or a no-acknowledge bit. This data transfer mechanism is used for the slave address/data direction byte and for message bytes.

One data bit is transferred during each S_{CLK} clock period. S_{DATA} can change when S_{CLK} is LOW and must be stable while S_{CLK} is HIGH.

Slave Address/Data Direction Byte

Bits [7:1] of this byte represent the device slave address and bit [0] indicates the data transfer direction. A “0” in bit [0] indicates a WRITE, and a “1” indicates a READ.

The default slave addresses used by the AR0134CS are 0x20 (write address) and 0x21 (read address) in accordance with the specification. Alternate slave addresses of 0x30 (write address) and 0x31 (read address) can be selected by enabling and asserting the S_{ADDR} input.

An alternate slave address can also be programmed through R0x31FC.

Message Byte

Message bytes are used for sending register addresses and register write data to the slave device and for retrieving register read data.

Acknowledge Bit

Each 8-bit data transfer is followed by an acknowledge bit or a no-acknowledge bit in the S_{CLK} clock period following the data transfer. The transmitter (which is the master when writing, or the slave when reading) releases S_{DATA}. The receiver indicates an acknowledge bit by driving S_{DATA} LOW. As for data transfers, S_{DATA} can change when S_{CLK} is LOW and must be stable while S_{CLK} is HIGH.

No-Acknowledge Bit

The no-acknowledge bit is generated when the receiver does not drive S_{DATA} LOW during the S_{CLK} clock period following a data transfer. A no-acknowledge bit is used to terminate a read sequence.

Typical Sequence

A typical READ or WRITE sequence begins by the master generating a start condition on the bus. After the start condition, the master sends the 8-bit slave address/data direction byte. The last bit indicates whether the request is for a read or a write, where a “0” indicates a write and a “1” indicates a read. If the address matches the address of the slave device, the slave device acknowledges receipt of the address by generating an acknowledge bit on the bus.

If the request was a WRITE, the master then transfers the 16-bit register address to which the WRITE should take place. This transfer takes place as two 8-bit sequences and the slave sends an acknowledge bit after each sequence to indicate that the byte has been received. The master then transfers the data as an 8-bit sequence; the slave sends an acknowledge bit at the end of the sequence. The master stops writing by generating a (re)start or stop condition.

If the request was a READ, the master sends the 8-bit write slave address/data direction byte and 16-bit register address, the same way as with a WRITE request. The master then generates a (re)start condition and the 8-bit read slave address/data direction byte, and clocks out the register data, eight bits at a time. The master generates an acknowledge bit after each 8-bit transfer. The slave’s internal register address is automatically incremented after every 8 bits are transferred. The data transfer is stopped when the master sends a no-acknowledge bit.

AR0134CS

Single READ from Random Location

This sequence (Figure 8) starts with a dummy WRITE to the 16-bit address that is to be used for the READ. The master terminates the WRITE by generating a restart condition. The master then sends the 8-bit read slave address/data direction byte and clocks out one byte of

register data. The master terminates the READ by generating a no-acknowledge bit followed by a stop condition. Figure 8 shows how the internal register address maintained by the AR0134CS is loaded and incremented as the sequence proceeds.

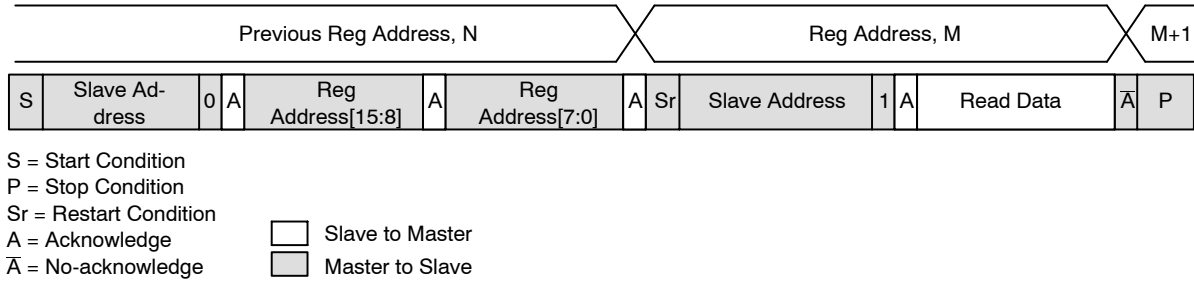


Figure 8. Single READ from Random Location

Single READ from Current Location

This sequence (Figure 9) performs a read using the current value of the AR0134CS internal register address.

The master terminates the READ by generating a no-acknowledge bit followed by a stop condition. The figure shows two independent READ sequences.

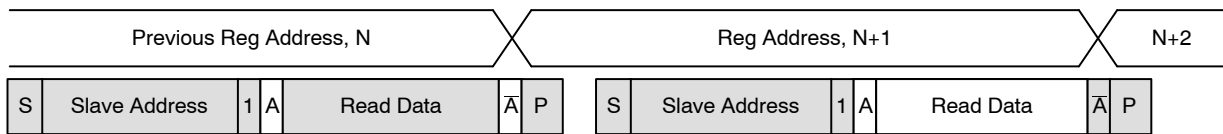


Figure 9. Single READ from Current Location

Sequential READ, Start from Random Location

This sequence (Figure 10) starts in the same way as the single READ from random location (Figure 8). Instead of generating a no-acknowledge bit after the first byte of data

has been transferred, the master generates an acknowledge bit and continues to perform byte READs until “L” bytes have been read.

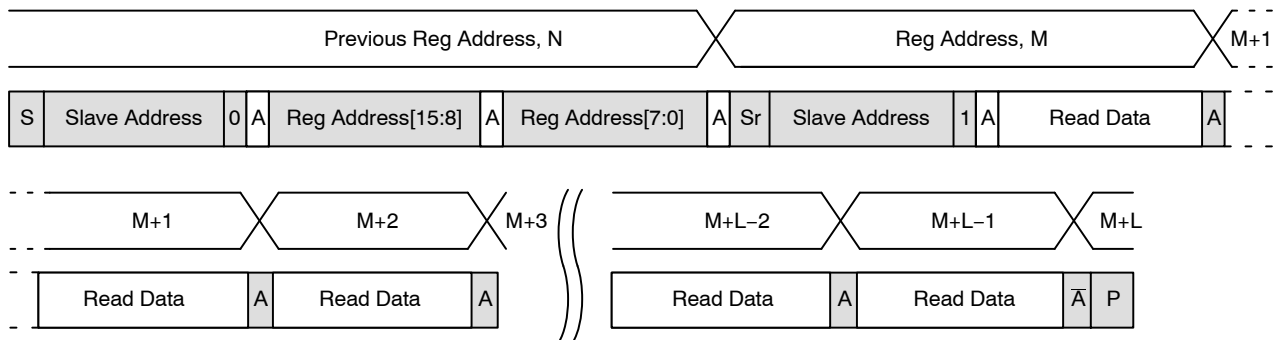


Figure 10. Sequential READ, Start from Random Location

AR0134CS

Sequential READ, Start from Current Location

This sequence (Figure 11) starts in the same way as the single READ from current location (Figure 9). Instead of generating a no-acknowledge bit after the first byte of data

has been transferred, the master generates an acknowledge bit and continues to perform byte READs until “L” bytes have been read.

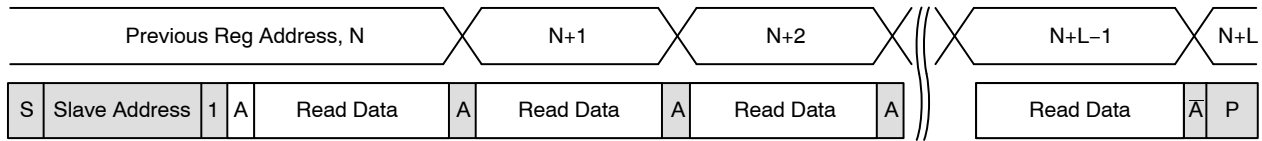


Figure 11. Sequential READ, Start from Current Location

Single WRITE to Random Location

This sequence (Figure 12) begins with the master generating a start condition. The slave address/data direction byte signals a WRITE and is followed by the HIGH

then LOW bytes of the register address that is to be written. The master follows this with the byte of write data. The WRITE is terminated by the master generating a stop condition.

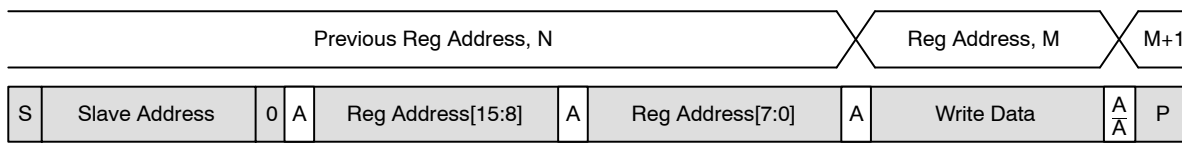


Figure 12. Single WRITE to Random Location

Sequential WRITE, Start at Random Location

This sequence (Figure 13) starts in the same way as the single WRITE to random location (Figure 12). Instead of generating a no-acknowledge bit after the first byte of data

has been transferred, the master generates an acknowledge bit and continues to perform byte WRITES until “L” bytes have been written. The WRITE is terminated by the master generating a stop condition.

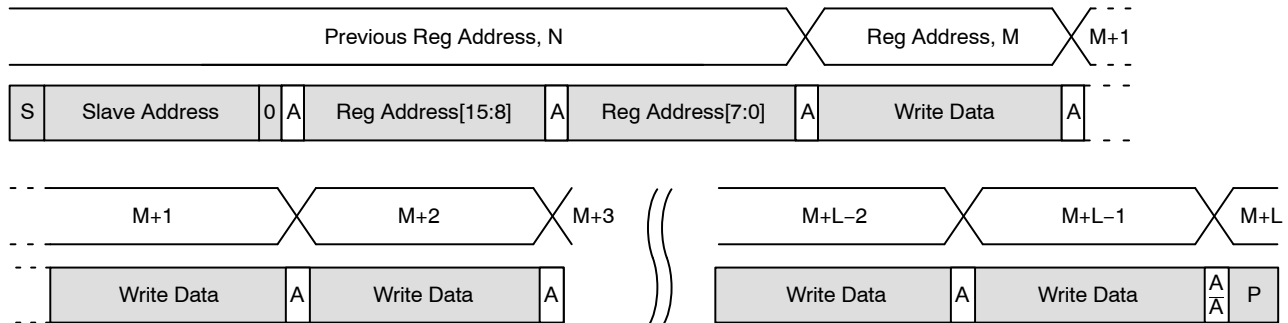


Figure 13. Sequential WRITE, Start at Random Location

ELECTRICAL SPECIFICATIONS

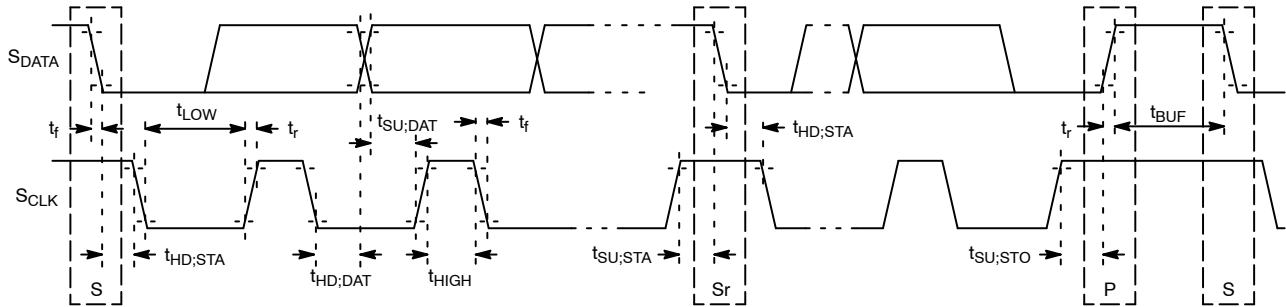
Unless otherwise stated, the following specifications apply to the following conditions:

- $V_{DD} = 1.8 \text{ V} -0.10/+0.15;$
- $V_{DD_IO} = V_{DD_PLL} = V_{AA} = V_{AA_PIX} = 2.8 \text{ V} \pm 0.3 \text{ V};$
- $V_{DD_SLVS} = 0.4 \text{ V} -0.1/+0.2;$
- $T_A = -30^\circ\text{C} \text{ to } +70^\circ\text{C};$
- Output Load = 10 pF;
- PIXCLK Frequency = 74.25 MHz;
- HiSPi off.

Two-Wire Serial Register Interface

The electrical characteristics of the two-wire serial register interface (S_{CLK} , S_{DATA}) are shown in Figure 14 and Table 5.

AR0134CS



NOTE: Read sequence: For an 8-bit READ, read waveforms start after WRITE command and register address are issued.

Figure 14. Two-Wire Serial Bus Timing Parameters

Table 5. TWO-WIRE SERIAL BUS CHARACTERISTICS

($f_{EXTCLK} = 27 \text{ MHz}$; $V_{DD} = 1.8 \text{ V}$; $V_{DD_IO} = 2.8 \text{ V}$; $V_{AA} = 2.8 \text{ V}$; $V_{AA_PIX} = 2.8 \text{ V}$; $V_{DD_PLL} = 2.8 \text{ V}$; $V_{DD_DAC} = 2.8 \text{ V}$; $T_A = 25^\circ\text{C}$)

| Parameter | Symbol | Standard Mode | | Fast-Mode | | Unit |
|-------------------------------------------------------|----------------|---------------|---------------|------------------------|--------------|---------------|
| | | Min | Max | Min | Max | |
| S_{CLK} Clock Frequency | f_{SCL} | 0 | 100 | 0 | 400 | kHz |
| Hold Time (Repeated) START Condition | | | | | | |
| After This Period, the First Clock Pulse is Generated | $t_{HD;STA}$ | 4.0 | – | 0.6 | – | μs |
| LOW Period of the S_{CLK} Clock | t_{LOW} | 4.7 | – | 1.3 | – | μs |
| HIGH Period of the S_{CLK} Clock | t_{HIGH} | 4.0 | – | 0.6 | – | μs |
| Set-up Time for a Repeated START Condition | $t_{SU;STA}$ | 4.7 | – | 0.6 | – | μs |
| Data Hold Time | $t_{HD;DAT}$ | 0 (Note 4) | 3.45 (Note 5) | 0 (Note 6) | 0.9 (Note 5) | μs |
| Data Set-up Time | $t_{SU;DAT}$ | 250 | – | 100 (Note 6) | – | ns |
| Rise Time of both S_{DATA} and S_{CLK} Signals | t_r | – | 1000 | $20 + 0.1C_b$ (Note 7) | 300 | ns |
| Fall Time of both S_{DATA} and S_{CLK} Signals | t_f | – | 300 | $20 + 0.1C_b$ (Note 7) | 300 | ns |
| Set-up Time for STOP Condition | $t_{SU;STO}$ | 4.0 | – | 0.6 | – | μs |
| Bus Free Time between a STOP and START Condition | t_{BUF} | 4.7 | – | 1.3 | – | μs |
| Capacitive Load for each Bus Line | C_b | – | 400 | – | 400 | pF |
| Serial Interface Input Pin Capacitance | C_{IN_SI} | – | 3.3 | – | 3.3 | pF |
| S_{DATA} Max Load Capacitance | C_{LOAD_SD} | – | 30 | – | 30 | pF |
| S_{DATA} Pull-up Resistor | RSD | 1.5 | 4.7 | 1.5 | 4.7 | $k\Omega$ |

1. This table is based on I²C standard (v2.1 January 2000). Philips Semiconductor.
2. Two-wire control is I²C-compatible.
3. All values referred to $V_{IHmin} = 0.9 V_{DD_IO}$ and $V_{ILmax} = 0.1 V_{DD_IO}$ levels. Sensor EXCLK = 27 MHz.
4. A device must internally provide a hold time of at least 300 ns for the S_{DATA} signal to bridge the undefined region of the falling edge of S_{CLK} .
5. The maximum $t_{HD;DAT}$ has only to be met if the device does not stretch the LOW period (t_{LOW}) of the S_{CLK} signal.
6. A Fast-mode I²C-bus device can be used in a Standard-mode I²C-bus system, but the requirement $t_{SU;DAT}$ 250 ns must then be met. This will automatically be the case if the device does not stretch the LOW period of the S_{CLK} signal. If such a device does stretch the LOW period of the S_{CLK} signal, it must output the next data bit to the S_{DATA} line $t_r \text{ max} + t_{SU;DAT} = 1000 + 250 = 1250 \text{ ns}$ (according to the Standard-mode I²C-bus specification) before the S_{CLK} line is released.
7. C_b = total capacitance of one bus line in pF.

AR0134CS

I/O Timing

By default, the AR0134CS launches pixel data, FV and LV with the falling edge of PIXCLK. The expectation is that the user captures $D_{OUT}[11:0]$, FV and LV using the rising

edge of PIXCLK. The launch edge of PIXCLK can be configured in register R0x3028. See Figure 15 and Table 6 for I/O timing (AC) characteristics.

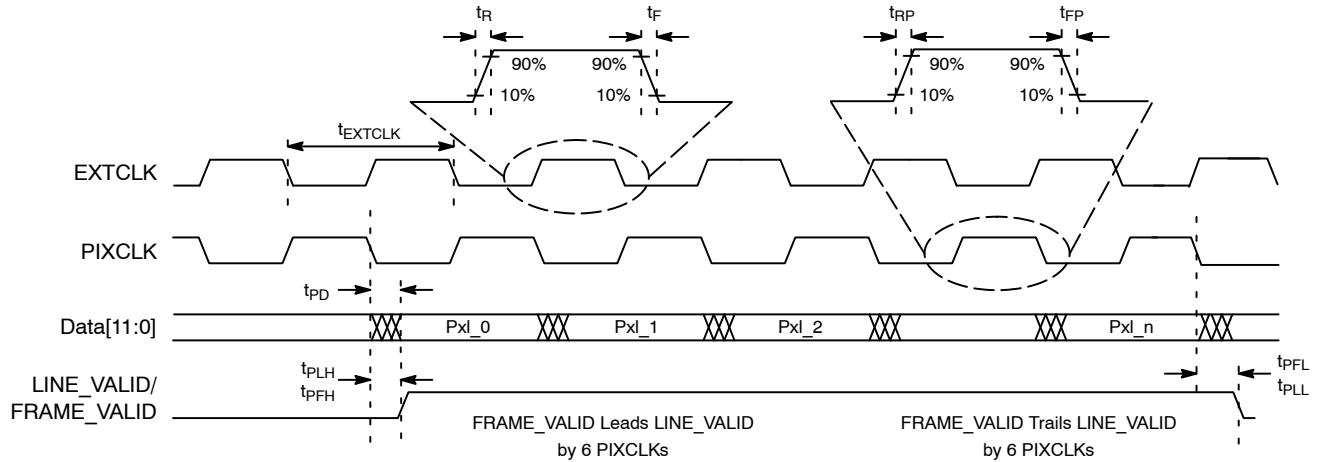


Figure 15. I/O Timing Diagram

Table 6. I/O TIMING CHARACTERISTICS, PARALLEL OUTPUT (1.8 V V_{DD_IO}) (Note 8)

| Symbol | Definition | Condition | Min | Typ | Max | Unit |
|--------------|------------------------------------|------------------------------------------------------|------|-----|-------|------|
| f_{EXTCLK} | Input Clock Frequency | | 6 | – | 50 | MHz |
| t_{EXTCLK} | Input Clock Period | | 20 | – | 166 | ns |
| t_R | Input Clock Rise Time | PLL Enabled | – | 3 | – | ns |
| t_F | Input Clock Fall Time | PLL Enabled | – | 3 | – | ns |
| t_{JITTER} | Input Clock Jitter | | – | – | 600 | ns |
| t_{cp} | EXTCLK to PIXCLK Propagation Delay | Nominal Voltages, PLL Disabled, PIXCLK Slew Rate = 4 | 5.7 | – | 14.3 | ns |
| t_{RP} | PIXCLK Rise Time | PCLK Slew Rate = 6 | 1.3 | – | 4.0 | ns |
| t_{FP} | PIXCLK Fall Time | PCLK Slew Rate = 6 | 1.3 | – | 3.9 | ns |
| | PIXCLK Duty Cycle | | 40 | 50 | 60 | % |
| f_{PIXCLK} | PIXCLK Frequency | PIXCLK Slew Rate = 6, Data Slew Rate = 7 | 6 | – | 74.25 | MHz |
| t_{PD} | PIXCLK to Data Valid | PIXCLK Slew Rate = 6, Data Slew Rate = 7 | –2.5 | – | 2 | ns |
| t_{PFH} | PIXCLK to FV HIGH | PIXCLK Slew Rate = 6, Data Slew Rate = 7 | –2.5 | – | 2 | ns |
| t_{PLH} | PIXCLK to LV HIGH | PIXCLK Slew Rate = 6, Data Slew Rate = 7 | –3 | – | 1.5 | ns |
| t_{PFL} | PIXCLK to FV LOW | PIXCLK Slew Rate = 6, Data Slew Rate = 7 | –2.5 | – | 2 | ns |
| t_{PLL} | PIXCLK to LV LOW | PIXCLK Slew Rate = 6, Data Slew Rate = 7 | –3 | – | 1.5 | ns |
| C_{IN} | Input Pin Capacitance | | – | 2.5 | – | pF |

8. Minimum and maximum values are taken at 70°C, 1.7 V and –30°C, 1.95 V. All values are taken at the 50% transition point. The loading used is 10 pF.

9. Jitter from PIXCLK is already taken into account in the data for all of the output parameters.

Table 7. I/O TIMING CHARACTERISTICS, PARALLEL OUTPUT (2.8 V V_{DD_IO}) (Note 10)

| Symbol | Definition | Condition | Min | Typ | Max | Unit |
|--------------|-----------------------|-------------|-----|-----|-----|------|
| f_{EXTCLK} | Input Clock Frequency | | 6 | – | 50 | MHz |
| t_{EXTCLK} | Input Clock Period | | 20 | – | 166 | ns |
| t_R | Input Clock Rise Time | PLL Enabled | – | 3 | – | ns |
| t_F | Input Clock Fall Time | PLL Enabled | – | 3 | – | ns |

AR0134CS

Table 7. I/O TIMING CHARACTERISTICS, PARALLEL OUTPUT (2.8 V V_{DD_IO}) (Note 10) (continued)

| Symbol | Definition | Condition | Min | Typ | Max | Unit |
|---------------------|------------------------------------|------------------------------------------------------|------|-----|-------|------|
| t _{JITTER} | Input Clock Jitter | | – | – | 600 | ns |
| t _{cp} | EXTCLK to PIXCLK Propagation Delay | Nominal Voltages, PLL Disabled, PIXCLK Slew Rate = 4 | 5.3 | – | 13.4 | ns |
| t _{RP} | PIXCLK Rise Time | PCLK Slew Rate = 6 | 1.3 | – | 4.0 | ns |
| t _{FP} | PIXCLK Fall Time | PCLK slew rate = 6 | 1.3 | – | 3.9 | ns |
| | PIXCLK Duty Cycle | | 40 | 50 | 60 | % |
| f _{PIXCLK} | PIXCLK Frequency | PIXCLK Slew Rate = 6, Data Slew Rate = 7 | 6 | – | 74.25 | MHz |
| t _{PD} | PIXCLK to Data Valid | PIXCLK Slew Rate = 6, Data Slew Rate = 7 | –2.5 | – | 2 | ns |
| t _{PFH} | PIXCLK to FV HIGH | PIXCLK Slew Rate = 6, Data Slew Rate = 7 | –2.5 | – | 2 | ns |
| t _{PLH} | PIXCLK to LV HIGH | PIXCLK Slew Rate = 6, Data Slew Rate = 7 | –2.5 | – | 2 | ns |
| t _{PFL} | PIXCLK to FV LOW | PIXCLK Slew Rate = 6, Data Slew Rate = 7 | –2.5 | – | 2 | ns |
| t _{PLL} | PIXCLK to LV LOW | PIXCLK Slew Rate = 6, Data Slew Rate = 7 | –2.5 | – | 2 | ns |
| C _{IN} | Input Pin Capacitance | | – | 2.5 | – | pF |

10. Minimum and maximum values are taken at 70°C, 2.5 V and –30°C, 3.1 V. All values are taken at the 50% transition point. The loading used is 10 pF.

11. Jitter from PIXCLK is already taken into account in the data for all of the output parameters.

Table 8. I/O RISE SLEW RATE (2.8 V V_{DD_IO}) (Note 12)

| Parallel Slew (R0x306E[15:13]) | Condition | Min | Typ | Max | Unit |
|--------------------------------|-----------|------|------|------|------|
| 7 | Default | 1.50 | 2.50 | 3.90 | V/ns |
| 6 | Default | 0.98 | 1.62 | 2.52 | V/ns |
| 5 | Default | 0.71 | 1.12 | 1.79 | V/ns |
| 4 | Default | 0.52 | 0.82 | 1.26 | V/ns |
| 3 | Default | 0.37 | 0.58 | 0.88 | V/ns |
| 2 | Default | 0.26 | 0.40 | 0.61 | V/ns |
| 1 | Default | 0.17 | 0.27 | 0.40 | V/ns |
| 0 | Default | 0.10 | 0.16 | 0.23 | V/ns |

12. Minimum and maximum values are taken at 70°C, 2.5 V and –30°C, 3.1 V. The loading used is 10 pF.

Table 9. I/O FALL SLEW RATE (2.8 V V_{DD_IO}) (Note 13)

| Parallel Slew (R0x306E[15:13]) | Condition | Min | Typ | Max | Unit |
|--------------------------------|-----------|------|------|------|------|
| 7 | Default | 1.40 | 2.30 | 3.50 | V/ns |
| 6 | Default | 0.97 | 1.61 | 2.48 | V/ns |
| 5 | Default | 0.73 | 1.21 | 1.86 | V/ns |
| 4 | Default | 0.54 | 0.88 | 1.36 | V/ns |
| 3 | Default | 0.39 | 0.63 | 0.88 | V/ns |
| 2 | Default | 0.27 | 0.43 | 0.66 | V/ns |
| 1 | Default | 0.18 | 0.29 | 0.44 | V/ns |
| 0 | Default | 0.11 | 0.17 | 0.25 | V/ns |

13. Minimum and maximum values are taken at 70°C, 2.5 V and –30°C, 3.1 V. The loading used is 10 pF.

Table 10. I/O RISE SLEW RATE (1.8 V V_{DD_IO}) (Note 14)

| Parallel Slew (R0x306E[15:13]) | Condition | Min | Typ | Max | Unit |
|--------------------------------|-----------|------|------|------|------|
| 7 | Default | 0.57 | 0.91 | 1.55 | V/ns |
| 6 | Default | 0.39 | 0.61 | 1.02 | V/ns |
| 5 | Default | 0.29 | 0.46 | 0.75 | V/ns |

AR0134CS

Table 10. I/O RISE SLEW RATE (1.8 V V_{DD_IO}) (Note 14) (continued)

| Parallel Slew (R0x306E[15:13]) | Condition | Min | Typ | Max | Unit |
|--------------------------------|-----------|------|------|------|------|
| 4 | Default | 0.22 | 0.34 | 0.54 | V/ns |
| 3 | Default | 0.16 | 0.24 | 0.39 | V/ns |
| 2 | Default | 0.12 | 0.17 | 0.27 | V/ns |
| 1 | Default | 0.08 | 0.11 | 0.18 | V/ns |
| 0 | Default | 0.05 | 0.07 | 0.10 | V/ns |

14. Minimum and maximum values are taken at 70°C, 1.7 V and –30°C, 1.95 V. The loading used is 10 pF.

Table 11. I/O FALL SLEW RATE (1.8 V V_{DD_IO}) (Note 15)

| Parallel Slew (R0x306E[15:13]) | Condition | Min | Typ | Max | Unit |
|--------------------------------|-----------|------|------|------|------|
| 7 | Default | 0.57 | 0.92 | 1.55 | V/ns |
| 6 | Default | 0.40 | 0.64 | 1.08 | V/ns |
| 5 | Default | 0.31 | 0.50 | 0.82 | V/ns |
| 4 | Default | 0.24 | 0.38 | 0.61 | V/ns |
| 3 | Default | 0.18 | 0.27 | 0.44 | V/ns |
| 2 | Default | 0.13 | 0.19 | 0.31 | V/ns |
| 1 | Default | 0.09 | 0.13 | 0.20 | V/ns |
| 0 | Default | 0.05 | 0.08 | 0.12 | V/ns |

15. Minimum and maximum values are taken at 70°C, 1.7 V and –30°C, 1.95 V. The loading used is 10 pF.

DC Electrical Characteristics

The DC electrical characteristics are shown in Table 12, Table 13, Table 14, and Table 15.

Table 12. DC ELECTRICAL CHARACTERISTICS

| Symbol | Definition | Condition | Min | Typ | Max | Unit |
|----------------------|-----------------------|----------------------------------------------------------------------------------|--------------------------|---------|--------------------------|------|
| V _{DD} | Core Digital Voltage | | 1.7 | 1.8 | 1.95 | V |
| V _{DD_IO} | I/O Digital Voltage | | 1.7/2.5 | 1.8/2.8 | 1.9/3.1 | V |
| V _{AA} | Analog Voltage | | 2.5 | 2.8 | 3.1 | V |
| V _{AA_PIX} | Pixel Supply Voltage | | 2.5 | 2.8 | 3.1 | V |
| V _{DD_PLL} | PLL Supply Voltage | | 2.5 | 2.8 | 3.1 | V |
| V _{DD_SLVS} | HiSPi Supply Voltage | | 0.3 | 0.4 | 0.6 | V |
| V _{IH} | Input HIGH Voltage | | V _{DD_IO} × 0.7 | – | – | V |
| V _{IL} | Input LOW Voltage | | – | – | V _{DD_IO} × 0.3 | V |
| I _{IN} | Input Leakage Current | No Pull-up Resistor; V _{IN} = V _{DD_IO} or D _{GND} | 20 | – | – | μA |
| V _{OH} | Output HIGH Voltage | | V _{DD_IO} – 0.3 | – | – | V |
| V _{OL} | Output LOW Voltage | V _{DD_IO} = 2.8 V | – | – | 0.4 | V |
| I _{OH} | Output HIGH Current | At Specified V _{OH} | –22 | – | – | mA |
| I _{OL} | Output LOW Current | At Specified V _{OL} | – | – | 22 | mA |

CAUTION: Stresses greater than those listed in Table 13 may cause permanent damage to the device. This is a stress rating only, and functional operation of the device at these or any other conditions above those indicated in the operational sections of this specification is not implied.

AR0134CS

Table 13. ABSOLUTE MAXIMUM RATINGS

| Symbol | Parameter | Minimum | Maximum | Unit |
|---------------------|-------------------------------------|---------|--------------------------|------|
| V _{SUPPLY} | Power Supply Voltage (All Supplies) | -0.3 | 4.5 | V |
| I _{SUPPLY} | Total Power Supply Current | - | 200 | mA |
| I _{GND} | Total Ground Current | - | 200 | mA |
| V _{IN} | DC Input Voltage | -0.3 | V _{DD_IO} + 0.3 | V |
| V _{OUT} | DC Output Voltage | -0.3 | V _{DD_IO} + 0.3 | V |
| T _{STG} | Storage Temperature (Note 16) | -40 | +85 | °C |

Stresses exceeding those listed in the Maximum Ratings table may damage the device. If any of these limits are exceeded, device functionality should not be assumed, damage may occur and reliability may be affected.

16. Exposure to absolute maximum rating conditions for extended periods may affect reliability.

Table 14. OPERATING CURRENT CONSUMPTION FOR PARALLEL OUTPUT

(V_{AA} = V_{AA_PIX} = V_{DD_IO} = V_{DD_PLL} = 2.8 V; V_{DD} = 1.8 V; PLL Enabled and PIXCLK = 74.25 MHz; T_A = 25°C; C_{LOAD} = 10 pF)

| Symbol | Parameter | Condition | Min | Typ | Max | Unit |
|---------------------|-------------------------------|---------------------------------------------|-----|-----|-----|------|
| I _{DD1} | Digital Operating Current | Parallel, Streaming, Full Resolution 54 fps | - | 46 | 60 | mA |
| I _{DD_IO} | I/O Digital Operating Current | Parallel, Streaming, Full Resolution 54 fps | - | 52 | - | mA |
| I _{AA} | Analog Operating Current | Parallel, Streaming, Full Resolution 54 fps | - | 46 | 55 | mA |
| I _{AA_PIX} | Pixel Supply Current | Parallel, Streaming, Full Resolution 54 fps | - | 7 | 9 | mA |
| I _{DD_PLL} | PLL Supply Current | Parallel, Streaming, Full Resolution 54 fps | - | 8 | 10 | mA |

Table 15. STANDBY CURRENT CONSUMPTION

(Analog – V_{AA} + V_{AA_PIX} + V_{DD_PLL}; Digital – V_{DD} + V_{DD_IO}; T_A = 25°C)

| Definition | Condition | Min | Typ | Max | Unit |
|------------------------------------------|----------------|-----|-----|-----|------|
| Hard Standby (Clock Off, Driven Low) | Analog, 2.8 V | - | 3 | 15 | μA |
| | Digital, 1.8 V | - | 25 | 80 | μA |
| Hard Standby (Clock On, EXTCLK = 20 MHz) | Analog, 2.8 V | - | 12 | 25 | μA |
| | Digital, 1.8 V | - | 1.1 | 1.7 | mA |
| Soft Standby (Clock Off, Driven Low) | Analog, 2.8 V | - | 3 | 15 | μA |
| | Digital, 1.8 V | - | 25 | 80 | μA |
| Soft Standby (Clock On, EXTCLK = 20 MHz) | Analog, 2.8 V | - | 12 | 25 | μA |
| | Digital, 1.8 V | - | 1.1 | 1.7 | mA |

AR0134CS

HiSPi Electrical Specifications

The onsemi AR0134CS sensor supports SLVS mode only, and does not have a DLL for timing adjustments. Refer to the High-Speed Serial Pixel (HiSPi) Interface Physical Layer Specification v2.00.00 for electrical definitions, specifications, and timing information. The V_{DD_SLVS}

supply in this data sheet corresponds to V_{DD_TX} in the HiSPi Physical Layer Specification. Similarly, V_{DD} is equivalent to V_{DD_HiSPi} as referenced in the specification. The HiSPi transmitter electrical specifications are listed at 700 MHz.

Table 16. INPUT VOLTAGE AND CURRENT (HiSPi POWER SUPPLY 0.4 V)

(Measurement Conditions: Max Freq. 700 MHz)

| Symbol | Parameter | Min | Typ | Max | Unit |
|---------------------|---------------------------------------------------------------|----------------------------|------------------|----------------------------|----------|
| I_{DD_SLVS} | Supply Current (PWR_{HiSPi}) (Driving 100 Ω Load) | – | 10 | 15 | mA |
| V_{CMD} | HiSPi Common Mode Voltage (Driving 100 Ω Load) | $V_{DD_SLVS} \times 0.45$ | $V_{DD_SLVS}/2$ | $V_{DD_SLVS} \times 0.55$ | V |
| $ V_{OD} $ | HiSPi Differential Output Voltage (Driving 100 Ω Load) | $V_{DD_SLVS} \times 0.36$ | $V_{DD_SLVS}/2$ | $V_{DD_SLVS} \times 0.64$ | V |
| ΔV_{CM} | Change in V_{CM} between Logic 1 and 0 | – | – | 25 | mV |
| $ V_{OD} $ | Change in $ V_{OD} $ between Logic 1 and 0 | – | – | 25 | mV |
| NM | V_{OD} Noise Margin | – | – | 30 | % |
| $ \Delta V_{CM} $ | Difference in V_{CM} between any Two Channels | – | – | 50 | mV |
| $ \Delta V_{OD} $ | Difference in V_{OD} between any Two Channels | – | – | 100 | mV |
| ΔV_{CM_ac} | Common-mode AC Voltage (pk) without V_{CM} Cap Termination | – | – | 50 | mV |
| ΔV_{CM_ac} | Common-mode AC Voltage (pk) with V_{CM} Cap Termination | – | – | 30 | mV |
| V_{OD_ac} | Max Overshoot Peak $ V_{OD} $ | – | – | $1.3 \times V_{OD} $ | V |
| V_{diff_pkpk} | Max Overshoot V_{diff} pk-pk | – | – | $2.6 \times V_{OD} $ | V |
| V_{eye} | Eye Height | $1.4 \times V_{OD}$ | – | – | |
| R_o | Single-ended Output Impedance | 35 | 50 | 70 | Ω |
| ΔR_o | Output Impedance Mismatch | – | – | 20 | % |

AR0134CS

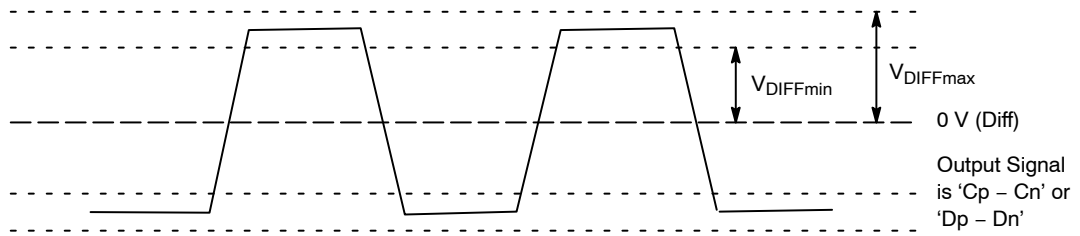


Figure 16. Differential Output Voltage for Clock and Data Pairs

Table 17. RISE AND FALL TIMES

(Measurement Conditions: HiSPi Power Supply 0.4 V, Max Freq. 700 MHz)

| Symbol | Parameter | Min | Typ | Max | Unit |
|-----------------|-----------------------------------------------|--------|---------|------|------|
| 1/UI | Data Rate | 280 | – | 700 | Mb/s |
| TxPRE | Max Setup Time from Transmitter (Note 17) | 0.3 | – | – | UI |
| TxPost | Max Hold Time from Transmitter | 0.3 | – | – | UI |
| RISE | Rise Time (20% – 80%) | – | 0.25 UI | – | |
| FALL | Fall Time (20% – 80%) | 150 ps | 0.25 UI | – | |
| PLL_DUTY | Clock Duty | 45 | 50 | 55 | % |
| t_{pw} | Bitrate Period (Note 17) | 1.43 | – | 3.57 | ns |
| t_{eye} | Eye Width (Notes 17, 18) | 0.3 | – | – | UI |
| $t_{totaljit}$ | Data Total Jitter (pk pk)@1e-9 (Notes 17, 18) | – | – | 0.2 | UI |
| t_{ckjit} | Clock Period Jitter (RMS) (Note 18) | – | – | 50 | ps |
| t_{cyj} | Clock Cycle to Cycle Jitter (RMS) (Note 18) | – | – | 100 | ps |
| t_{chskew} | Clock to Data Skew (Notes 17, 18) | –0.1 | – | 0.1 | UI |
| $t_{ PHYskew }$ | PHY-to-PHY Skew (Notes 17, 21) | – | – | 2.1 | UI |
| $t_{DIFFSKEW}$ | Mean Differential Skew (Note 22) | –100 | – | 100 | ps |

17. One UI is defined as the normalized mean time between one edge and the following edge of the clock.

18. Taken from 0 V crossing point.

19. Also defined with a maximum loading capacitance of 10 pF on any pin. The loading capacitance may also need to be less for higher bitrates so the rise and fall times do not exceed the maximum 0.3 UI.

20. The absolute mean skew between the Clock lane and any Data Lane in the same PHY between any edges.

21. The absolute mean skew between any Clock in one PHY and any Data lane in any other PHY between any edges.

22. Differential skew is defined as the skew between complementary outputs. It is measured as the absolute time between the two complementary edges at mean V_{CM} point.

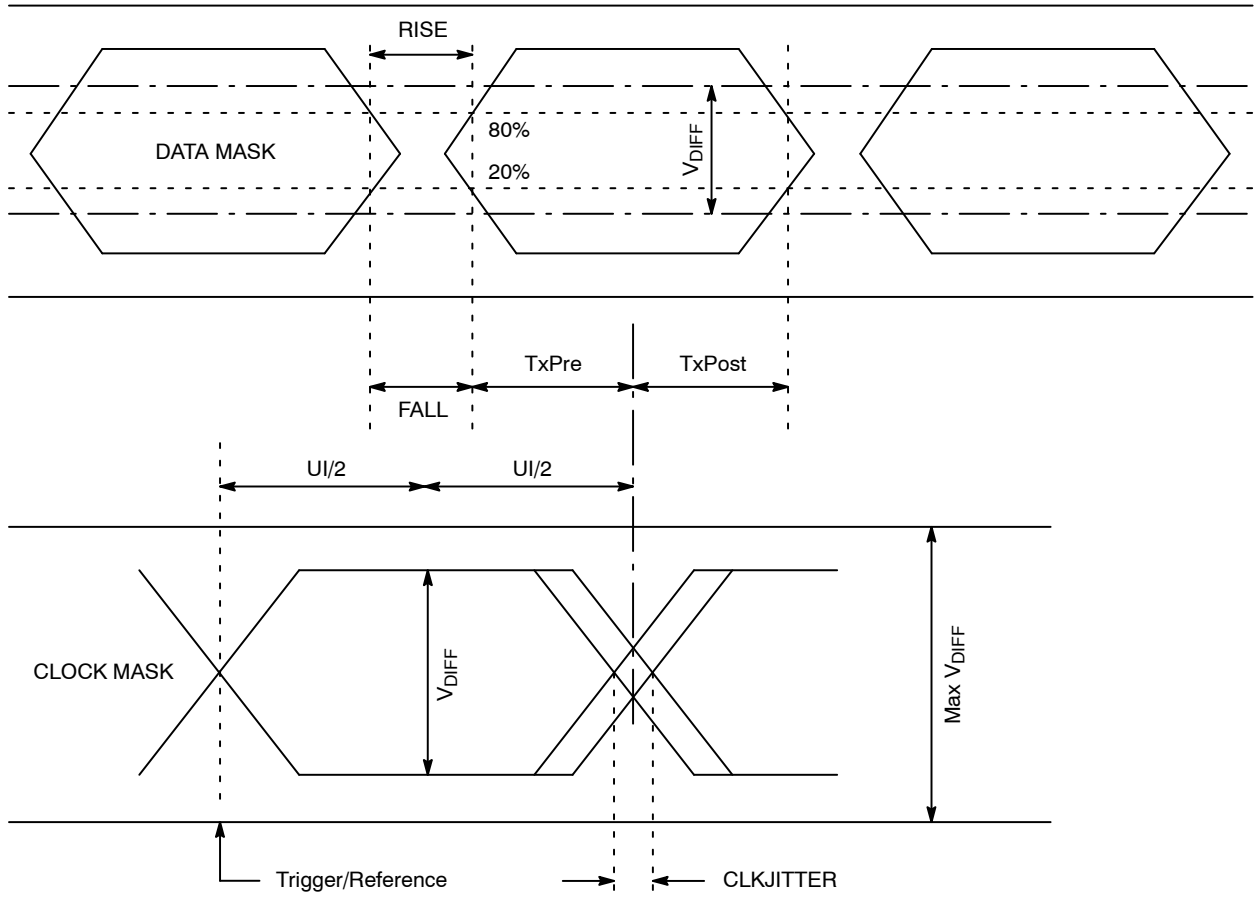


Figure 17. Eye Diagram for Clock and Data Signals

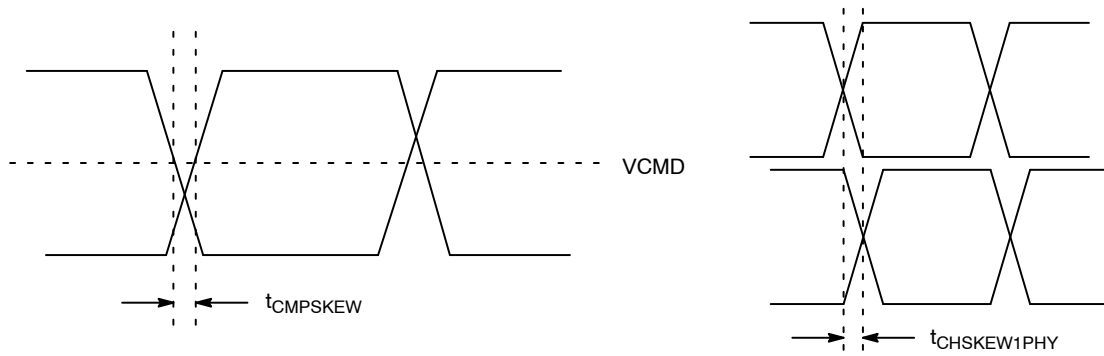


Figure 18. Skew within the PHY and Output Channels

POWER-ON RESET AND STANDBY TIMING

Power-Up Sequence

The recommended power-up sequence for the AR0134CS is shown in Figure 19. The available power supplies (V_{DD_IO} , V_{DD} , V_{DD_SLVS} , V_{DD_PLL} , V_{AA} , V_{AA_PIX}) must have the separation specified below.

1. Turn on V_{DD_PLL} power supply.
2. After 0–10 μ s, turn on V_{AA} and V_{AA_PIX} power supply.
3. After 0–10 μ s, turn on V_{DD_IO} power supply.
4. After the last power supply is stable, enable EXTCLK.

5. If RESET_BAR is in a LOW state, hold RESET_BAR LOW for at least 1 ms. If RESET_BAR is in a HIGH state, assert RESET_BAR for at least 1 ms.
6. Wait 160000 EXTCLKs (for internal initialization into software standby).
7. Configure PLL, output, and image settings to desired values.
8. Wait 1 ms for the PLL to lock.
9. Set streaming mode ($R0x301a[2] = 1$).

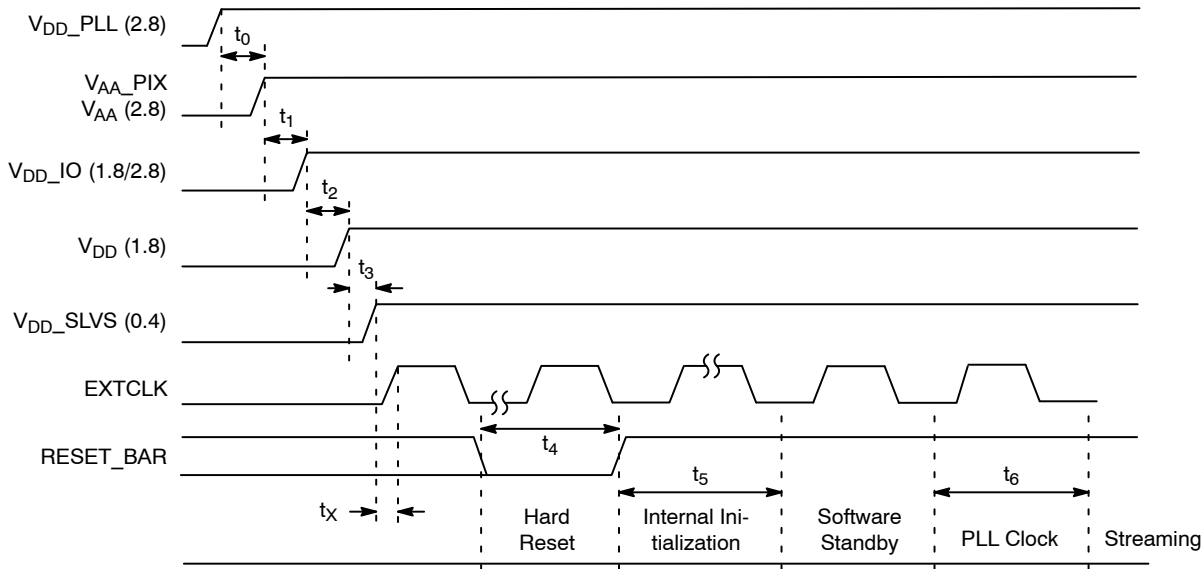


Figure 19. Power Up

Table 18. POWER-UP SEQUENCE

| Symbol | Definition | Min | Typ | Max | Unit |
|--------|---------------------------------------|-------------|--------------|-----|---------|
| t_0 | V_{DD_PLL} to V_{AA}/V_{AA_PIX} | 0 | 10 | – | μ s |
| t_1 | V_{AA}/V_{AA_PIX} to V_{DD_IO} | 0 | 10 | – | μ s |
| t_2 | V_{DD_IO} to V_{DD} | 0 | 10 | – | μ s |
| t_3 | V_{DD} to V_{DD_SLVS} | 0 | 10 | – | μ s |
| t_x | Xtal Settle Time | – | 30 (Note 23) | – | ms |
| t_4 | Hard Reset | 1 (Note 24) | – | – | ms |
| t_5 | Internal Initialization | 160000 | – | – | EXTCLKs |
| t_6 | PLL Lock Time | 1 | – | – | ms |

23. Xtal settling time is component-dependent, usually taking about 10–100 ms.

24. Hard reset time is the minimum time required after power rails are settled. In a circuit where hard reset is held down by RC circuit, then the RC time must include the all power rail settle time and Xtal settle time.

25. It is critical that V_{DD_PLL} is not powered up after the other power supplies. It must be powered before or at least at the same time as the others. If the case happens that V_{DD_PLL} is powered after other supplies then the sensor may have functionality issues and will experience high current draw on this supply.

Power-Down Sequence

The recommended power-down sequence for the AR0134CS is shown in Figure 20. The available power supplies (V_{DD_IO} , V_{DD} , V_{DD_SLVS} , V_{DD_PLL} , V_{AA} , V_{AA_PIX}) must have the separation specified below.

1. Disable streaming if output is active by setting standby $R0x301a[2] = 0$.
2. The soft standby state is reached after the current row or frame, depending on configuration, has ended.
3. Turn off V_{DD_SLVS} .
4. Turn off V_{DD} .
5. Turn off V_{DD_IO} .
6. Turn off V_{AA}/V_{AA_PIX} .
7. Turn off V_{DD_PLL} .

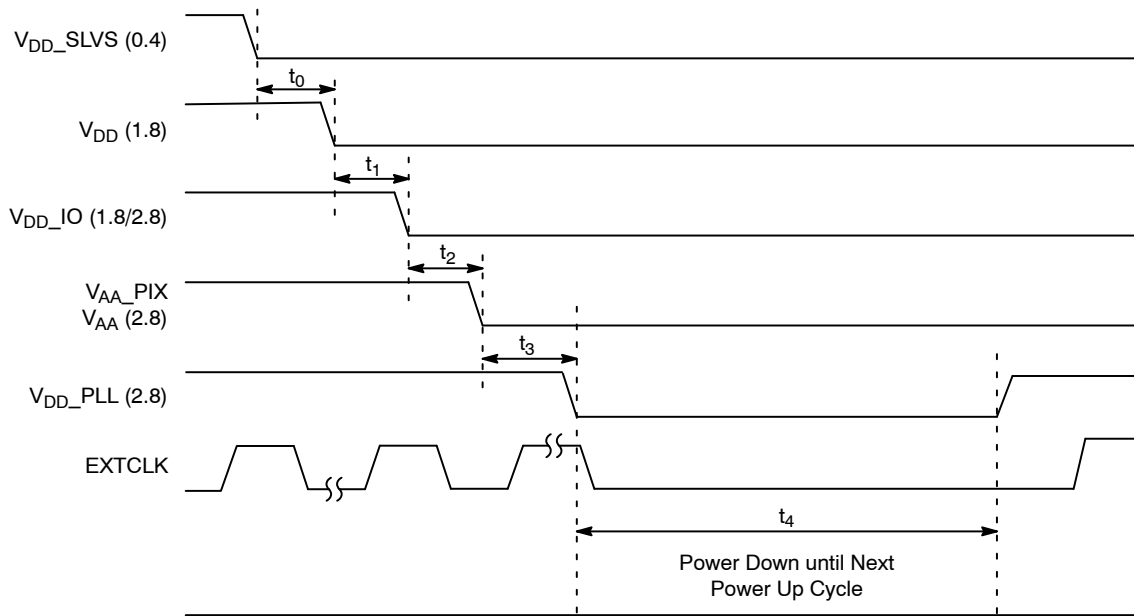


Figure 20. Power Down

Table 19. POWER-DOWN SEQUENCE

| Symbol | Parameter | Min | Typ | Max | Unit |
|--------|---------------------------------------|-----|-----|-----|---------------|
| t_0 | V_{DD_SLVS} to V_{DD} | 0 | – | – | μs |
| t_1 | V_{DD} to V_{DD_IO} | 0 | – | – | μs |
| t_2 | V_{DD_IO} to V_{AA}/V_{AA_PIX} | 0 | – | – | μs |
| t_3 | V_{AA}/V_{AA_PIX} to V_{DD_PLL} | 0 | – | – | μs |
| t_4 | PwrDn until Next PwrUp Time | 100 | – | – | ms |

26. t_4 is required between power down and next power up time; all decoupling caps from regulators must be completely discharged.

AR0134CS

Standby Sequence

Figure 21 and Figure 22 show timing diagrams for entering and exiting standby. Delays are shown indicating

the last valid register write prior to entering standby as well as the first valid write upon exiting standby. Also shown is timing if the EXTCLK is to be disabled during standby.

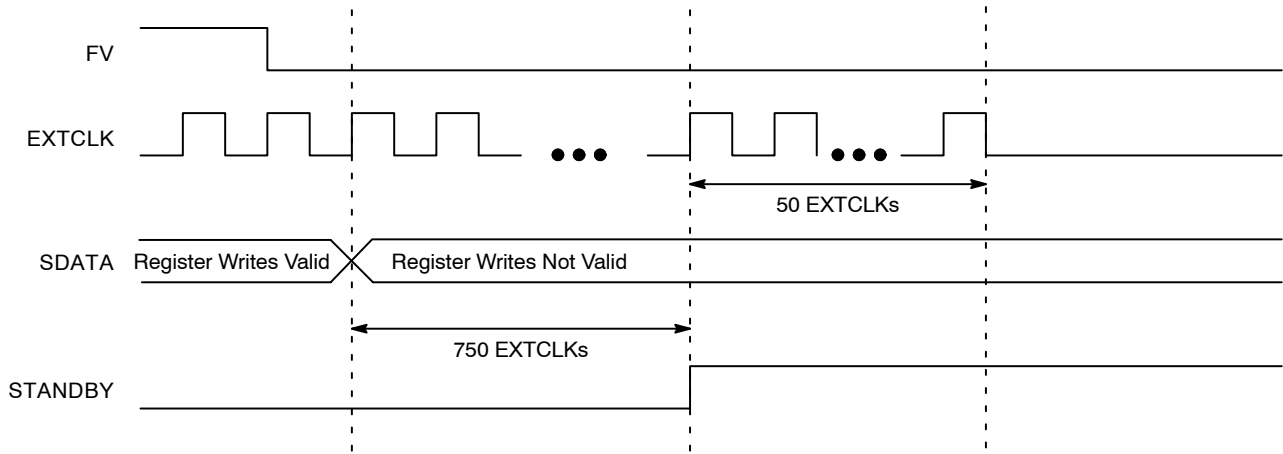


Figure 21. Enter Standby Timing

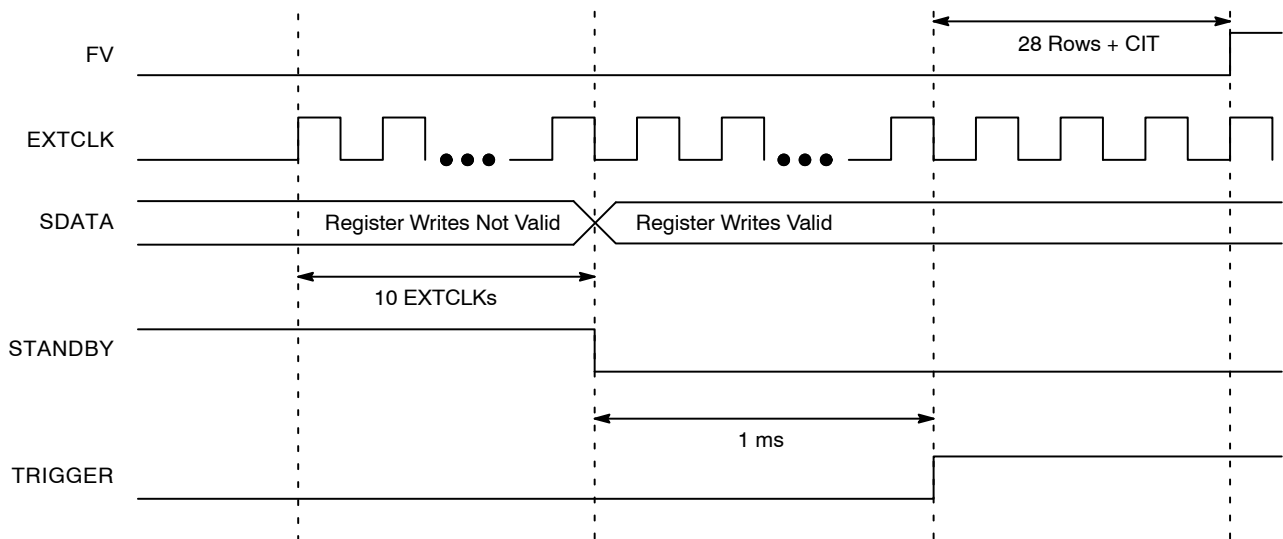


Figure 22. Exit Standby Timing

AR0134CS

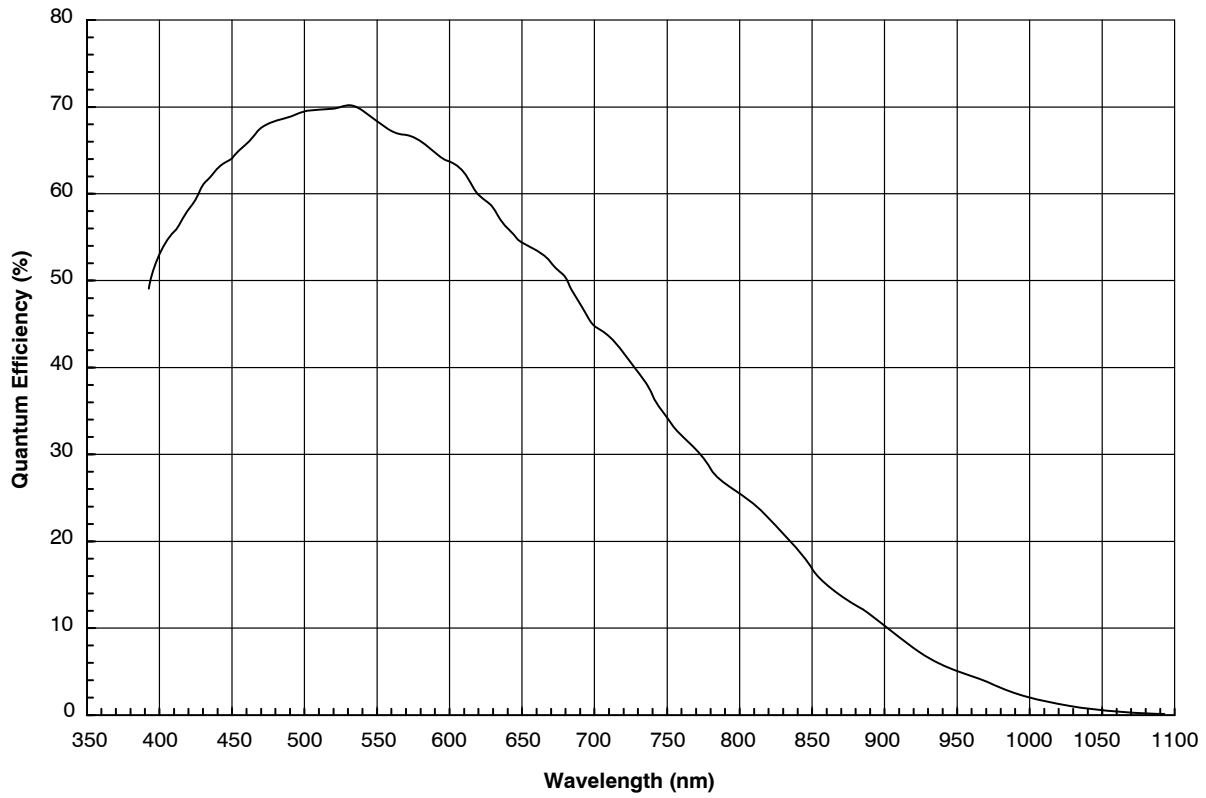


Figure 23. Quantum Efficiency - Monochrome Sensor (Typical)

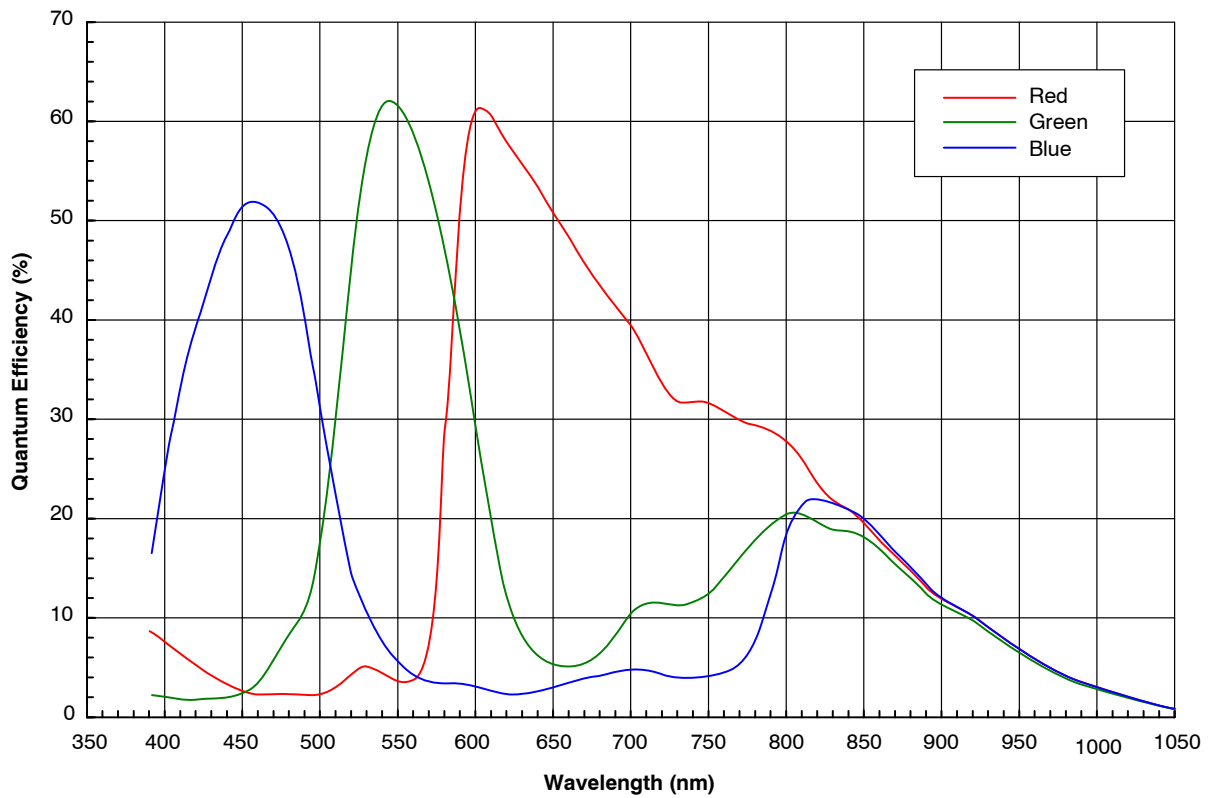


Figure 24. Quantum Efficiency - Color Sensor (Typical)

AR0134CS

CRA vs. Image Height Plot

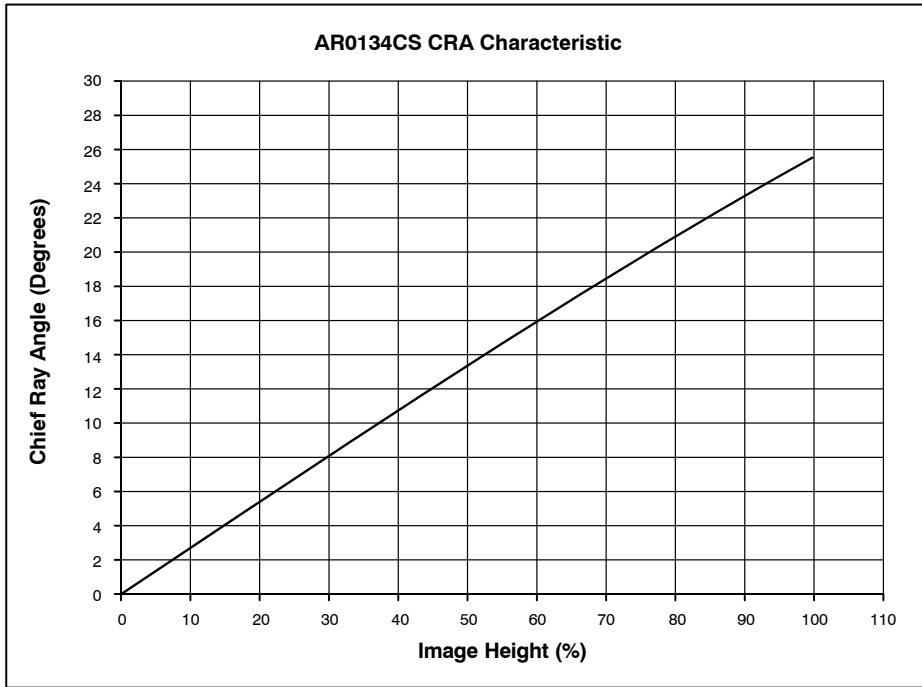


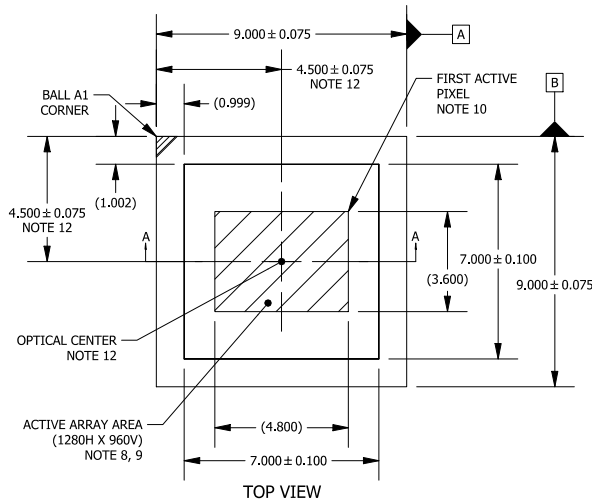
Figure 25. Chief Ray Angle – 25° Mono

| Image Height | | CRA |
|--------------|-------|-------|
| (%) | (mm) | (deg) |
| 0 | 0 | 0 |
| 5 | 0.150 | 1.35 |
| 10 | 0.300 | 2.70 |
| 15 | 0.450 | 4.04 |
| 20 | 0.600 | 5.39 |
| 25 | 0.750 | 6.73 |
| 30 | 0.900 | 8.06 |
| 35 | 1.050 | 9.39 |
| 40 | 1.200 | 10.71 |
| 45 | 1.350 | 12.02 |
| 50 | 1.500 | 13.33 |
| 55 | 1.650 | 14.62 |
| 60 | 1.800 | 15.90 |
| 65 | 1.950 | 17.16 |
| 70 | 2.100 | 18.41 |
| 75 | 2.250 | 19.64 |
| 80 | 2.400 | 20.85 |
| 85 | 2.550 | 22.05 |
| 90 | 2.700 | 23.22 |
| 95 | 2.850 | 24.38 |
| 100 | 3.000 | 25.51 |



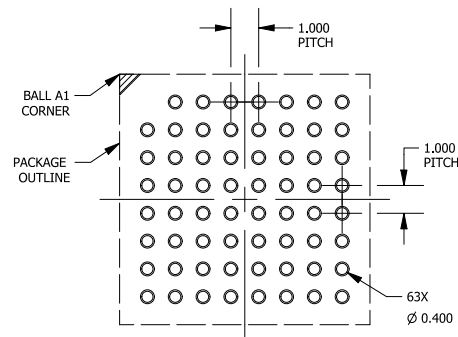
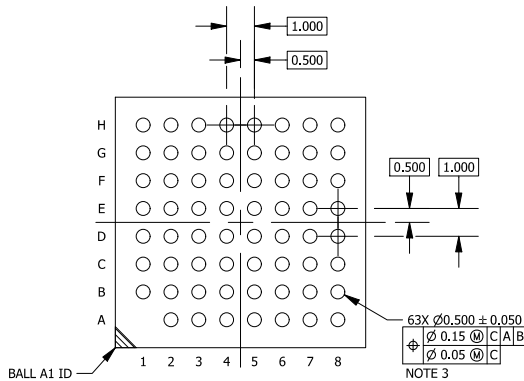
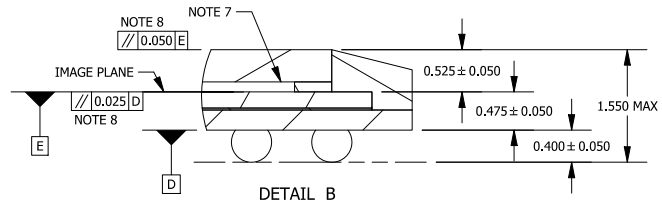
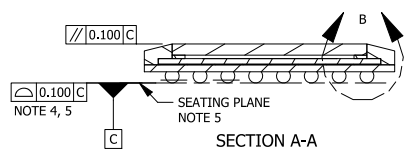
IBGA63 9x9 CASE 503AG ISSUE C

DATE 21 FEB 2020



NOTES:

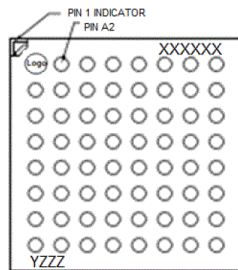
1. DIMENSIONING AND TOLERANCING PER ASME Y14.5M, 1994.
2. CONTROLLING DIMENSION: MILLIMETERS [mm].
3. SOLDER BALL DIAMETER IS MEASURED AT THE MAXIMUM SOLDER BALL DIAMETER PARALLEL TO DATUM C.
4. COPLANARITY APPLIES TO THE SPHERICAL CROWNS OF THE SOLDER BALLS.
5. DATUM C, THE SEATING PLANE IS DEFINED BY THE SPHERICAL CROWNS OF THE SOLDER BALLS.
6. GLASS: 0.400 THICKNESS; REFRACTIVE INDEX = 1.52; AR COATING R < 1% 420-850nm (EACH SIDE).
7. AIR GAP BETWEEN GLASS AND PIXEL ARRAY: 0.125 THICKNESS.
8. PARALLELISM APPLIES ONLY TO THE ACTIVE ARRAY.
9. MAXIMUM ROTATION OF ACTIVE ARRAY RELATIVE TO DATUMS A AND B IS $\pm 0.5^\circ$.
10. REFER TO THE DEVICE DATA SHEET FOR TOTAL PIXEL ARRAY DEFINITIONS.
11. PACKAGE CENTER (X, Y) = (0.000, 0.000).
12. OPTICAL CENTER RELATIVE TO PACKAGE CENTER (X, Y) = (0.000, 0.000).



RECOMMENDED MOUNTING FOOTPRINT*

*FOR ADDITIONAL INFORMATION ON OUR Pb-FREE STRATEGY AND SOLDERING DETAILS, PLEASE DOWNLOAD THE ON SEMICONDUCTOR SOLDERING AND MOUNTING TECHNIQUES REFERENCE MANUAL, SOLDERRM/D.

GENERIC MARKING DIAGRAM*



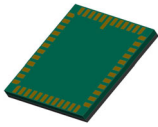
XXXX = Specific Device Code
Y = Year
ZZZ = Assembly Lot Code

*This information is generic. Please refer to device data sheet for actual part marking. Pb-Free indicator, "G" or microdot "µ", may or may not be present. Some products may not follow the Generic Marking.

| | | |
|------------------|-------------|----------------------------------------------------------------------------------------------------------------------------------------------------------------------------------|
| DOCUMENT NUMBER: | 98AON93394F | Electronic versions are uncontrolled except when accessed directly from the Document Repository. Printed versions are uncontrolled except when stamped "CONTROLLED COPY" in red. |
| DESCRIPTION: | IBGA63 9x9 | PAGE 1 OF 1 |

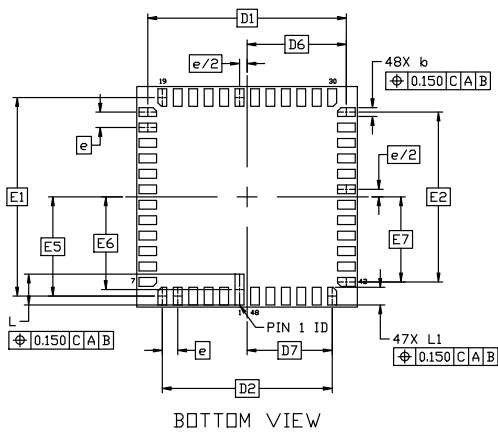
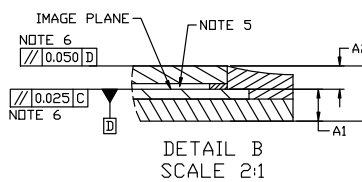
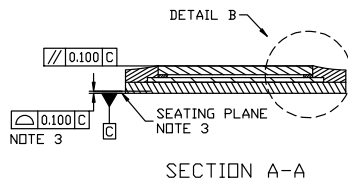
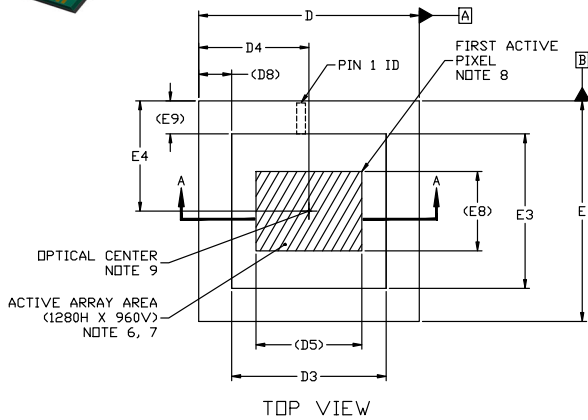
ON Semiconductor and ON are trademarks of Semiconductor Components Industries, LLC dba ON Semiconductor or its subsidiaries in the United States and/or other countries. ON Semiconductor reserves the right to make changes without further notice to any products herein. ON Semiconductor makes no warranty, representation or guarantee regarding the suitability of its products for any particular purpose, nor does ON Semiconductor assume any liability arising out of the application or use of any product or circuit, and specifically disclaims any and all liability, including without limitation special, consequential or incidental damages. ON Semiconductor does not convey any license under its patent rights nor the rights of others.

MECHANICAL CASE OUTLINE PACKAGE DIMENSIONS

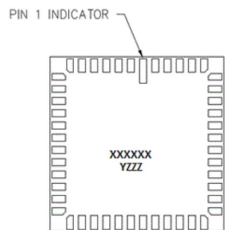


ILCC48 10.00x10.00x1.25, 0.70P CASE 847AE ISSUE A

DATE 30 JUN 2023



GENERIC MARKING DIAGRAM*



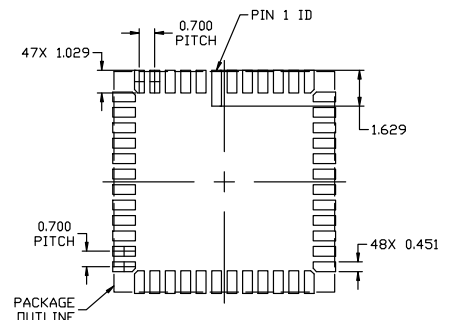
XXXX = Specific Device Code
Y = Year
ZZZ = Lot Traceability

*This information is generic. Please refer to device data sheet for actual part marking. Pb-Free indicator, "G" or microdot "μ", may or may not be present. Some products may not follow the Generic Marking.

NOTES:

1. DIMENSIONING AND TOLERANCING PER ASME Y14.5M, 1994.
2. CONTROLLING DIMENSION: MILLIMETER [mm].
3. COPLANARITY APPLIES TO THE PLATED LAND PADS.
4. GLASS: 0.400 THICKNESS; REFRACTIVE INDEX = 1.52.
5. AIR GAP BETWEEN GLASS AND PIXEL ARRAY: 0.125 THICKNESS.
6. PARALLELISM APPLIES ONLY TO THE ACTIVE ARRAY.
7. MAXIMUM ROTATION OF ACTIVE ARRAY RELATIVE TO DATUMS A AND B IS ±1°.
8. REFER TO THE DEVICE DATA SHEET FOR TOTAL PIXEL ARRAY DEFINITIONS.
9. OPTICAL CENTER RELATIVE TO PACKAGE CENTER (X, Y) = (-0.00096, -0.002).
10. PACKAGE CENTER (X, Y) = (0.000, 0.000).

| DIM | MILLIMETERS | | |
|-----|-------------|--------|--------|
| | MIN. | NOM. | MAX. |
| A | ---- | ---- | 1.375 |
| A1 | 0.650 | 0.725 | 0.800 |
| A2 | 0.475 | 0.525 | 0.575 |
| b | 0.350 | 0.400 | 0.450 |
| D | 9.925 | 10.000 | 10.075 |
| D1 | 9.000 BSC | | |
| D2 | 7.700 BSC | | |
| D3 | 6.900 | 7.000 | 7.100 |
| D4 | 4.925 | 5.000 | 5.075 |
| D5 | 4.800 REF. | | |
| D6 | 4.500 BSC | | |
| D7 | 3.850 BSC | | |
| D8 | 1.500 REF. | | |
| E | 9.925 | 10.000 | 10.075 |
| E1 | 9.000 BSC | | |
| E2 | 7.700 BSC | | |
| E3 | 6.900 | 7.000 | 7.100 |
| E4 | 4.925 | 5.000 | 5.075 |
| E5 | 4.500 BSC | | |
| E6 | 4.200 BSC | | |
| E7 | 3.85 BSC | | |
| E8 | 3.600 REF. | | |
| E9 | 1.500 REF. | | |
| e | 0.700 BSC | | |
| L | 1.350 | 1.400 | 1.450 |
| L1 | 0.750 | 0.800 | 0.850 |



RECOMMENDED MOUNTING FOOTPRINT*

*FOR ADDITIONAL INFORMATION ON OUR Pb-FREE STRATEGY AND SOLDERING DETAILS, PLEASE DOWNLOAD THE ON SEMICONDUCTOR SOLDERING AND MOUNTING TECHNIQUES REFERENCE MANUAL, SLDERRM/D.

| | | |
|-------------------------|---------------------------------------|----------------------------------------------------------------------------------------------------------------------------------------------------------------------------------|
| DOCUMENT NUMBER: | 98AON93696F | Electronic versions are uncontrolled except when accessed directly from the Document Repository. Printed versions are uncontrolled except when stamped "CONTROLLED COPY" in red. |
| DESCRIPTION: | ILCC48 10.00x10.00x1.25, 0.70P | PAGE 1 OF 1 |

onsemi and ONSEMI are trademarks of Semiconductor Components Industries, LLC dba onsemi or its subsidiaries in the United States and/or other countries. onsemi reserves the right to make changes without further notice to any products herein. onsemi makes no warranty, representation or guarantee regarding the suitability of its products for any particular purpose, nor does onsemi assume any liability arising out of the application or use of any product or circuit, and specifically disclaims any and all liability, including without limitation special, consequential or incidental damages. onsemi does not convey any license under its patent rights nor the rights of others.

onsemi, **Onsemi**, and other names, marks, and brands are registered and/or common law trademarks of Semiconductor Components Industries, LLC dba "**onsemi**" or its affiliates and/or subsidiaries in the United States and/or other countries. **onsemi** owns the rights to a number of patents, trademarks, copyrights, trade secrets, and other intellectual property. A listing of **onsemi**'s product/patent coverage may be accessed at www.onsemi.com/site/pdf/Patent-Marking.pdf. **onsemi** reserves the right to make changes at any time to any products or information herein, without notice. The information herein is provided "as-is" and **onsemi** makes no warranty, representation or guarantee regarding the accuracy of the information, product features, availability, functionality, or suitability of its products for any particular purpose, nor does **onsemi** assume any liability arising out of the application or use of any product or circuit, and specifically disclaims any and all liability, including without limitation special, consequential or incidental damages. Buyer is responsible for its products and applications using **onsemi** products, including compliance with all laws, regulations and safety requirements or standards, regardless of any support or applications information provided by **onsemi**. "Typical" parameters which may be provided in **onsemi** data sheets and/or specifications can and do vary in different applications and actual performance may vary over time. All operating parameters, including "Typicals" must be validated for each customer application by customer's technical experts. **onsemi** does not convey any license under any of its intellectual property rights nor the rights of others. **onsemi** products are not designed, intended, or authorized for use as a critical component in life support systems or any FDA Class 3 medical devices or medical devices with a same or similar classification in a foreign jurisdiction or any devices intended for implantation in the human body. Should Buyer purchase or use **onsemi** products for any such unintended or unauthorized application, Buyer shall indemnify and hold **onsemi** and its officers, employees, subsidiaries, affiliates, and distributors harmless against all claims, costs, damages, and expenses, and reasonable attorney fees arising out of, directly or indirectly, any claim of personal injury or death associated with such unintended or unauthorized use, even if such claim alleges that **onsemi** was negligent regarding the design or manufacture of the part. **onsemi** is an Equal Opportunity/Affirmative Action Employer. This literature is subject to all applicable copyright laws and is not for resale in any manner.

ADDITIONAL INFORMATION

TECHNICAL PUBLICATIONS:

Technical Library: www.onsemi.com/design/resources/technical-documentation
onsemi Website: www.onsemi.com

ONLINE SUPPORT: www.onsemi.com/support

For additional information, please contact your local Sales Representative at www.onsemi.com/support/sales

