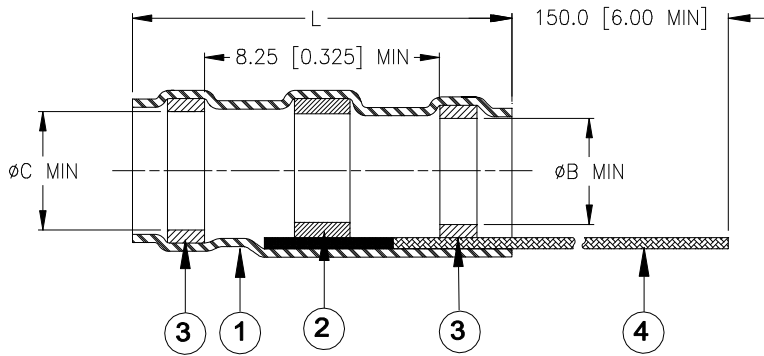


CUSTOMER DRAWING



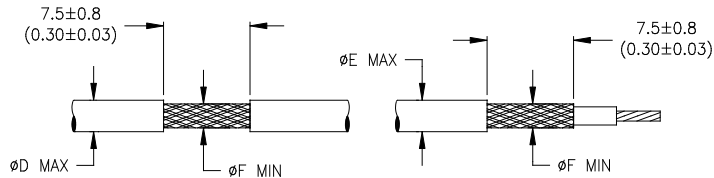
| Product Name | Ident. Code | Product Dimensions | | | Cable Dimensions | | |
|--------------|-------------|-----------------------------------|-----------------|-----------------|------------------|-----------------|-----------------|
| | | $L \pm 1.75$ ($L \pm 0.070$) | ϕB min | ϕC min | ϕD max | ϕE max | ϕF min |
| S200-1-01 | S2001R | 16.50 (0.650) | 1.90 (0.075) | 2.67 (0.105) | 1.90 (0.075) | 2.67 (0.105) | 0.90 (0.035) |
| S200-2-01 | S2002R | 16.50 (0.650) | 2.67 (0.105) | 3.68 (0.145) | 2.67 (0.105) | 3.68 (0.145) | 1.40 (0.055) |
| S200-3-01 | S2003R | 16.50 (0.650) | 4.32 (0.170) | 5.08 (0.200) | 4.32 (0.170) | 5.08 (0.200) | 2.15 (0.085) |
| S200-4-01 | S2004R | 19.10 (0.750) | 5.97 (0.235) | 6.48 (0.255) | 5.97 (0.235) | 6.48 (0.255) | 3.30 (0.130) |
| S200-5-01 | S2005R | 19.10 (0.750) | 6.98 (0.275) | 7.62 (0.300) | 6.98 (0.275) | 7.62 (0.300) | 4.30 (0.170) |

MATERIALS

- INSULATION SLEEVE: Heat-shrinkable, transparent blue, radiation cross-linked modified fluoropolymer.
- SOLDER PREFORM WITH FLUX AND THERMAL INDICATOR:
 SOLDER: TYPE Sn96 per ANSI / J-STD-006.
 FLUX: TYPE ROM1 per ANSI / J-STD-004.
 THERMAL INDICATOR: Fusible ring.
- MELTABLE SEALING RINGS: Environment resistant modified thermoplastic fluoropolymer. Color: light blue.
- PRE-INSTALLED BRAID: Nickel-plated copper strands in accordance to AA59569F36N0031.

APPLICATION

- These parts are designed to provide an environment protected shield termination on cables, rated for 150°C minimum, meeting the dimensional criteria listed, having silver or nickel-plated shields.
- Install using Tyco Electronics approved convection or infrared heating tools in accordance with Tyco Electronics process standard RCPS-100-71. When installed with approved convection or infrared heating tools, assemblies will meet the performance requirements of SAE AS83519. Infrared tools are not recommended for use with black cable jackets.
- Parts shall be marked with identification code per table.
- Temperature range: -65°C to +200°C.
- For best results, prepare the cable as shown:



| | | | | | |
|--|---------------------------------------|--|---------------------------------|---|-------------------------------------|
| | | Tyco Electronics 300 Constitution Dr Menlo Park, CA 94025, U.S.A. | | TITLE: SOLDERSLEEVE SHIELD TERMINATOR WITH PRE-INSTALLED BRAID, 200 DEG C, ROHS COMPLIANT | |
| Unless otherwise specified dimensions are in millimeters. [Inches dimensions are shown in brackets] | | | Raychem | | DOCUMENT NO.: S200-X-01 |
| TOLERANCES: 0.00 N/A 0.0 N/A 0 N/A | ANGLES: N/A ROUGHNESS IN MICRON | Tyco Electronics reserves the right to amend this drawing at any time. Users should evaluate the suitability of the product for their application. | | REV: C1 | DATE: 12-Aug-2016 |
| DRAWN BY: P.TALLY | CAGE CODE: 06090 | REPLACES: ECO-16-007432 | ECO NUMBER: 16-011998 | SCALE: NTS | SIZE: A SHEET: 1 of 1 |

© 2005-2016 Tyco Electronics Corporation. All rights reserved.

If this document is printed it becomes uncontrolled. Check for the latest revision.