

Current transformer - PACT RCP-4000A-UIRO-PT-D190 - 2906236


Please be informed that the data shown in this PDF Document is generated from our Online Catalog. Please find the complete data in the user's documentation. Our General Terms of Use for Downloads are valid (<http://phoenixcontact.com/download>)



Set consisting of a 4-way signal conditioner with push-in connection technology and a Rogowski coil 600 mm in length/190 mm in diameter for AC current measurement on busbars and power lines. The signal conditioner outputs 8 different standard signals on the output side and has one switching output.



Key Commercial Data

Packing unit	1 STK
GTIN	 4 055626 048345
GTIN	4055626048345
Weight per Piece (excluding packing)	460.000 g
Custom tariff number	85437090
Country of origin	Germany

Technical data

Measuring transducer supply

Nominal supply voltage	24 V DC
Nominal supply voltage range	9.6 V DC
Power consumption	≤ 1 W (at I _{OUT} = 20 mA, 9.6 V DC, 600 Ω load)

Measuring coil input data

Frequency measuring range	40 Hz ... 20000 Hz
Position error	< 1 %
	< 1.5 % (the measuring coil is at an angle to the live connector.)
Linearity error	0.1 %

Measuring transducer input data

Measuring ranges (current)	100 A 250 A 400 A 630 A 1000 A 1500 A 2000 A 4000 A
----------------------------	---

Current transformer - PACT RCP-4000A-UIRO-PT-D190 - 2906236

Technical data

Measuring transducer input data

Configurable/programmable	Via DIP switches
---------------------------	------------------

Measuring transducer signal input

Input signal (at 50 Hz)	100 mV (1000 A)
Input impedance	> 100 kΩ

Measuring coil signal output

Output signal (at 50 Hz)	100 mV (no load, at 1,000 A)
Output voltage (in no-load operation)	$V_{OUT} = M \cdot di/dt$
Output voltage (sinusoidal, in no-load operation)	100 mV ($V_{OUT} = 2 \cdot \pi \cdot M \cdot f \cdot I$ (M = 0.318 μH; example: At 50 Hz; I = 1,000 A))

Measuring transducer signal output

Current output signal	0 mA ... 20 mA (via DIP switch)
	4 mA ... 20 mA (via DIP switch)
	0 mA ... 10 mA (via DIP switch)
	2 mA ... 10 mA (via DIP switch)
	0 mA ... 21 mA (Can be set via software)
Voltage output signal	0 V ... 10 V (via DIP switch)
	2 V ... 10 V (via DIP switch)
	0 V ... 5 V (via DIP switch)
	1 V ... 5 V (via DIP switch)
	0 V ... 10.5 V (Can be set via software)
Load/output load current output	≤ 600 Ω (at 20 mA)

General data, measuring coil

Length of measuring coil	600 mm
Diameter of measuring coil	8.3 mm ±0.2 mm
Length of signal cable	3000 mm
Conductor structure signal line	2x 0.22 mm (Signal (tinned))
	1x 0.22 mm (Shielding (tinned))
Coil material	Elastollan
Housing material	PC
Insulation	double insulation
Rated insulation voltage	1000 V AC (rms CAT III)
	600 V AC (rms CAT IV)
Test voltage	10.45 kV (DC / 1 min.)
Basic accuracy	<± 0.21 %
UL, USA/Canada	UL 61010 Recognized

Current transformer - PACT RCP-4000A-UIRO-PT-D190 - 2906236

Technical data

General data for measuring transducer

Maximum transmission error	≤ 0.5 % (From the range end value)
Frequency range	45 Hz ... 65 Hz
Housing material	PBT
Degree of protection	IP20
Test voltage	3 kV (50 Hz, 1 min.)
UL, USA/Canada	UL 508 Listed

General data

Standards/regulations	IEC 61010-1
	IEC 61010-2-032
Degree of pollution	2
Overvoltage category	II
Typical measuring error	< 1 %

Connection data

Connection name	Measuring transducer side
Conductor cross section flexible min.	0.2 mm ²
Conductor cross section flexible max.	2.5 mm ²
Conductor cross section solid min.	0.2 mm ²
Conductor cross section solid max.	2.5 mm ²
Conductor cross section AWG min.	26
Conductor cross section AWG max.	12
Screw thread	M3
Connection method	Push-in connection
Stripping length	10 mm

Dimensions

Width	6.20 mm
Height	110.50 mm
Depth	120.50 mm

Ambient conditions

Ambient temperature (operation)	-30 °C ... 80 °C (Measuring coil)
	-40 °C ... 70 °C (Measuring transducer)
Ambient temperature (storage/transport)	-40 °C ... 80 °C (Measuring coil)
	-40 °C ... 85 °C (Measuring transducer)
Maximum altitude	> 4000 m
Measuring coil degree of protection	IP67 (not assessed by UL)

Standards and Regulations

Current transformer - PACT RCP-4000A-UIRO-PT-D190 - 2906236

Technical data

Standards and Regulations

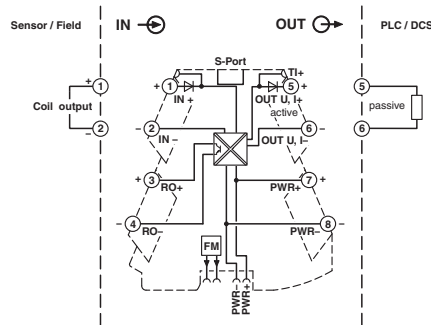
Electromagnetic compatibility	Conformance with EMC Directive 2004/108/EC
Noise emission	EN 61000-6-4
Standards/regulations	IEC 61010-1
	IEC 61010-2-032
Rated insulation voltage	300 V
Degree of pollution	2
Overvoltage category	II
Electrical isolation	Reinforced insulation in accordance with IEC 61010-1
Conformance	CE-compliant

Environmental Product Compliance

China RoHS	Environmentally Friendly Use Period = 50
	For details about hazardous substances go to tab "Downloads", Category "Manufacturer's declaration"

Drawings

Block diagram



Classifications

eCl@ss

eCl@ss 4.0	27210902
eCl@ss 4.1	27210902
eCl@ss 5.0	27210902
eCl@ss 5.1	27210902
eCl@ss 6.0	27210902
eCl@ss 7.0	27210902
eCl@ss 8.0	27210902
eCl@ss 9.0	27210902

Current transformer - PACT RCP-4000A-UIRO-PT-D190 - 2906236

Classifications

ETIM

ETIM 3.0	EC002048
ETIM 4.0	EC002048
ETIM 5.0	EC002048
ETIM 6.0	EC002048

UNSPSC

UNSPSC 13.2	39121032
-------------	----------

Accessories

Accessories

Mounting material

Holder - PACT RCP-CLAMP - 2904895



The optional holding device ensures the Rogowski coil is securely seated on busbars with a thickness of 10 ... 15 mm. During installation, the coil housing is pushed onto the flange of the holding device and snaps in automatically.

Holder - PACT RCP-CLAMP-5-10 - 2907888



The optional holding device ensures the Rogowski coil is securely seated on busbars that are 5 ... 10 mm thick. During installation, the coil housing is pushed onto the flange of the holding device and snaps in automatically.