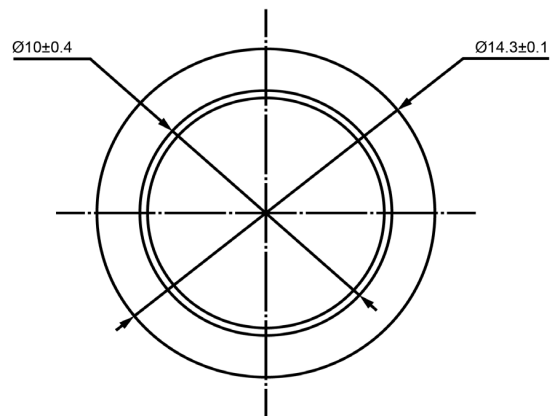
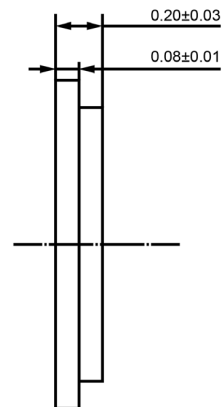



TOP VIEW



SIDE VIEW



Specifications			Notes	Revision History						
Description	Value	Unit		Version	Description		Date	Approved		
Resonant Frequency	5,100	(Hz)	1) All dimensions are in mm unless otherwise noted 2) All parts meet RoHS	1	Released from Engineering		10/21/2013	J.S		
Resonant Impedance (Max)	1,000	(Ohm)								
Max Input Voltage	30	(V)								
Capacitance	10,000	(pF)								
Plate Material	Brass									
Operating Temperature	-20 ~ +60	°C								
Storage Temperature	-20 ~ +70	°C								
			 <b>DB UNLIMITED</b>	Drawn by	Date	Checked by	Date	Approved by	Date	
				A.B.	10/21/2013	C.E.	10/21/2013	J.S	10/21/2013	
				<b>Piezo Bender</b>			<b>P14051-1</b>			
				Additional considerations can be found at <a href="http://www.dbunlimitedco.com/technical-articles">www.dbunlimitedco.com/technical-articles</a> .						