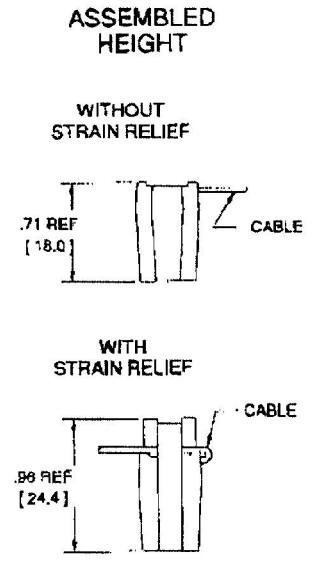
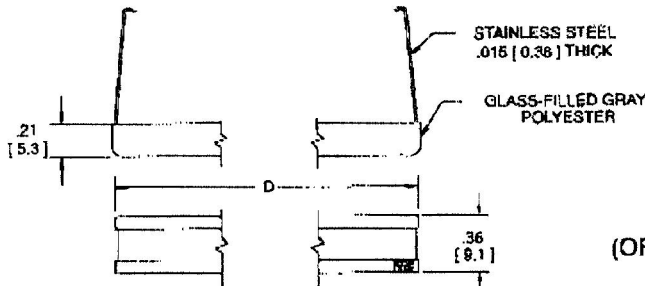
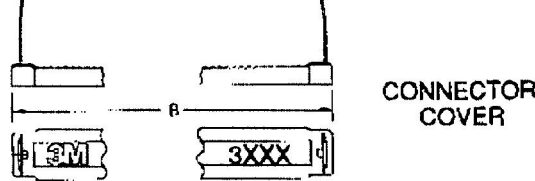
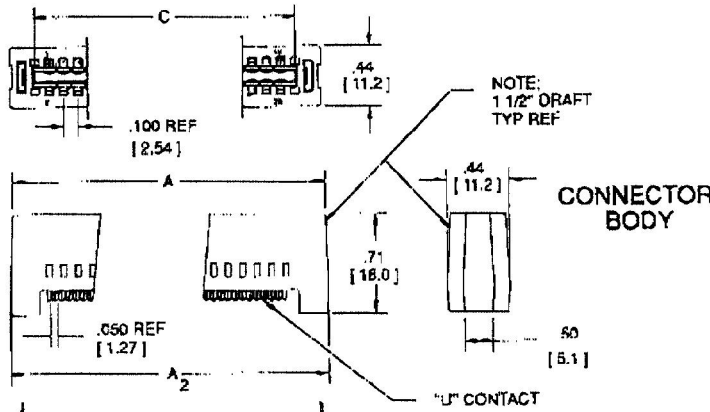
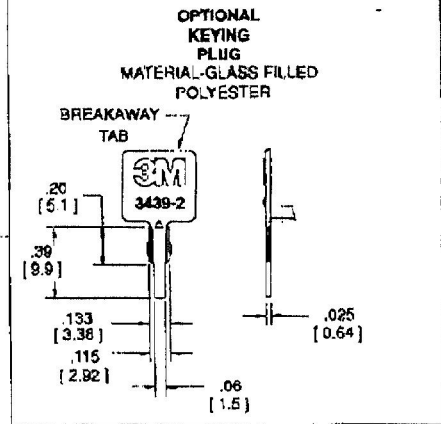
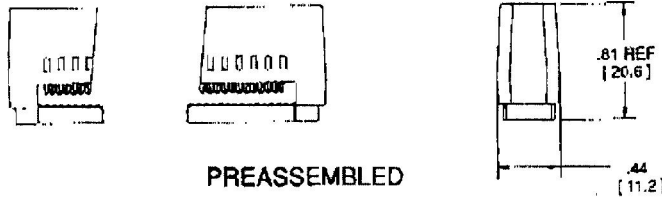


.100" Card-Edge

Without Mounting Flange

Sheet 2 of 2



CONTACT QUANTITY	3M PART NUMBER	STRAIN RELIEF PART NO.	DIM. A	DIM. A ₂	DIMENSIONS DIM. B	DIM. C	DIM. D
10	3358	3448-52	0.86 [21.4]	.097 [24.8]	0.85 [21.8]	0.612 [15.54]	0.95 [24.1]
18	3358	3448-53	1.26 [32.0]	1.27 [32.3]	1.15 [29.2]	0.912 [23.18]	1.25 [31.8]
20	3481	3448-54	1.48 [37.1]	1.47 [37.3]	1.35 [34.3]	1.112 [28.24]	1.45 [36.8]
28	3482	3448-55	1.76 [44.7]	1.77 [45.0]	1.65 [41.9]	1.412 [35.86]	1.75 [44.4]
34	3483	3448-56	2.16 [54.9]	2.17 [55.1]	2.05 [52.1]	1.812 [46.02]	2.15 [54.6]
40	3484	3448-57	2.48 [62.5]	2.47 [62.7]	2.35 [59.7]	2.112 [53.64]	2.45 [62.2]
50	3415	3448-58	2.96 [75.2]	2.97 [75.4]	2.85 [72.4]	2.612 [66.34]	2.95 [74.9]
60	3606	3448-59	3.46 [87.9]	3.47 [88.1]	3.35 [85.1]	3.112 [79.04]	3.45 [87.6]
64	3403	3448-59	3.66 [93.0]	3.67 [93.2]	3.55 [90.2]	3.312 [84.12]	3.65 [92.7]

Inch
[mm]

Tolerance Unless Noted		
	.0	.00 .000
Inch	±.1	±.01 ±.005

[] Dimensions for Reference Only

Ordering Information

0224-43370
 WE WERE APPROVED
 TO USE EITHER
 3461-0001 OR
 3461-0201

3461-0201
 XXXX-0X01

3M Part Number:
 See Table

0 = Two Piece Connector
 with Adhesive
 2 = Preassembled Connector
 without Adhesive

layout see drawing number ts-0014.

T5... 02326

2/2 0720-03888 *

For technical, sales or ordering information call
 800.925.5373