

INCH-POUND

MIL-M-38510/757C  
14 November 2003  
SUPERSEDING  
MIL-M-38510/757B  
14 March 2003

MILITARY SPECIFICATION

MICROCIRCUITS, DIGITAL, ADVANCED CMOS,  
BUFFER GATES, MONOLITHIC SILICON, POSITIVE LOGIC

Reactivated after 14 Nov. 2003 and may be used for new and existing designs and acquisitions.

This specification is approved for use by all Departments  
and Agencies of the Department of Defense.

1. SCOPE

1.1 Scope. This specification covers the detail requirements for monolithic silicon, advanced CMOS, logic microcircuits. Two product assurance classes and a choice of case outlines, lead finishes, and radiation hardness assurance (RHA) are provided and are reflected in the complete Part or Identifying Number (PIN). For this product, the requirements of MIL-M-38510 have been superseded by MIL-PRF-38535 (see 6.3).

1.2 Part or identifying number (PIN). The PIN should be in accordance with MIL-PRF-38535 and as specified herein.

1.2.1 Device types. The device types should be as follows:

<u>Device type</u>	<u>Circuit</u>
01	Hex inverter
02	Hex inverter Schmitt trigger
03	Octal buffer/line driver with three-state outputs
04	Octal buffer/line driver with three-state outputs
05	Octal buffer/line driver with three-state outputs
06	<u>1/</u>
07	<u>1/</u>
08	<u>1/</u>
09	<u>1/</u>
10	Octal inverting bus driver with three-state outputs
11	Octal noninverting bus driver with three-state outputs

1.2.2 Device class. The device class should be the product assurance level as defined in MIL-PRF-38535.

1/ Devices 06 – 09 were intended to be added in the future, see 6.7.

Comments, suggestions, or questions on this document should be addressed to: Commander, Defense Supply Center Columbus, ATTN: DSCC-VAC, 3990 East Broad St., Columbus, OH 43216-5000, or email to [cmos@dsccl.dla.mil](mailto:cmos@dsccl.dla.mil). Since contact information can change, you may want to verify the currency of this address information using the ASSIST Online database at [www.dodssp.daps.mil](http://www.dodssp.daps.mil).

1.2.3 Case outlines. The case outlines should be as designated in MIL-STD-1835 and as follows:

<u>Outline letter</u>	<u>Descriptive designator</u>	<u>Terminals</u>	<u>Package style</u>
C	GDIP1-T14 or CDIP2-T14	14	Dual-in-line
D	GDFP1-F14 or CDFP2-F14	14	Flat pack
R	GDIP1-T20 or CDIP2-T20	20	Dual-in-line package
S	GDFP2-F20 or CDFP3-F20	20	Flat pack
Y	GDFP1-G14	14	Flat pack with gull wing
Z	GDFP1-G20	20	Flat pack with gull wing
2	CQCC1-N20	20	Square chip carrier

1.3 Absolute maximum ratings. 1/ 2/

Supply voltage range ( $V_{CC}$ ).....	-0.5 V dc to +6.0 V dc
DC input voltage range ( $V_{IN}$ ).....	-0.5 V dc to $V_{CC} + 0.5$ V dc
DC output voltage range ( $V_{OUT}$ ).....	-0.5 V dc to $V_{CC} + 0.5$ V dc
Clamp diode current ( $I_{IK}, I_{OK}$ ).....	$\pm 20$ mA
DC output current ( $I_{OUT}$ ).....	$\pm 50$ mA
DC $V_{CC}$ or GND current ( $I_{CC}, I_{GND}$ ).....	$\pm 100$ mA
Storage temperature range ( $T_{STG}$ ).....	-65°C to +150°C
Maximum power dissipation ( $P_D$ ).....	500 mW
Lead temperature (soldering, 10 seconds).....	+300°C
Thermal resistance, junction-to-case ( $\theta_{JC}$ ).....	See MIL-STD-1835
Junction temperature ( $T_J$ ).....	+175°C
Case operating temperature ( $T_C$ ).....	-55°C to +125°C

1.4 Recommended operating conditions. 2/ 3/ 4/

Supply voltage range ( $V_{CC}$ ).....	+3.0 V dc to +5.5 V dc
Input voltage range ( $V_{IN}$ ).....	+0.0 V dc to $V_{CC}$
Output voltage range ( $V_{OUT}$ ).....	+0.0 V dc to $V_{CC}$
Case operating temperature range ( $T_C$ ).....	-55°C to +125°C
Input low ( $V_{IL}$ ) maximum voltage.....	0.90 V dc at $V_{CC} = 3.0$ V dc 1.35 V dc at $V_{CC} = 4.5$ V dc 1.65 V dc at $V_{CC} = 5.5$ V dc
Input high ( $V_{IH}$ ) minimum voltage.....	2.10 V dc at $V_{CC} = 3.0$ V dc 3.15 V dc at $V_{CC} = 4.5$ V dc 3.85 V dc at $V_{CC} = 5.5$ V dc
Input rise and fall rate ( $t_r, t_f$ ) maximum: (device types 01, 03, 04, 05 and 11), $V_{CC} = 3.6$ V, $V_{CC} = 5.5$ V.....	8 ns/V

1.5 Radiation features.

Maximum total dose available (dose rate = 50 – 300 rads (Si)/s):

Device types 04, and 11.....	100 krad (Si)
Device types 01, 02, 03, and 05.....	300 krad (Si)

- 1/ Stresses above the absolute maximum rating may cause permanent damage to the device. Extended operation at the maximum levels may degrade performance and affect reliability. The maximum junction temperature may be exceeded for allowable short duration burn-in screening conditions in accordance with MIL-PRF-38535.
- 2/ Unless otherwise noted, all voltages are referenced to GND.
- 3/ Operation from 2.0 V dc to 3.0 V dc is provided for compatibility with data retention and battery back-up systems. Data retention implies no input transitions and no stored data loss with the following conditions:  $V_{IH} \geq 70$  percent of  $V_{CC}$ ,  $V_{IL} \leq 30$  percent of  $V_{CC}$ ,  $V_{OH} \geq 70$  percent of  $V_{CC}$  at  $-20 \mu A$ ,  $V_{OL} \leq 30$  percent of  $V_{CC}$  at  $20 \mu A$ .
- 4/ Unless otherwise specified, the values listed above shall apply over the full  $V_{CC}$  and  $T_C$  recommended operating range.

## 2. APPLICABLE DOCUMENTS

2.1 General. The documents listed in this section are specified in sections 3, 4, or 5 of this specification. This section does not include documents cited in other sections of this specification or recommended for additional information or as examples. While every effort has been made to ensure the completeness of this list, document users are cautioned that they must meet all specified requirements of documents cited in sections 3, 4, or 5 of this specification, whether or not they are listed.

### 2.2 Government documents.

2.2.1 Specifications and Standards. The following specifications and standards form a part of this specification to the extent specified herein. Unless otherwise specified, the issues of these documents are those cited in the solicitation or contract.

#### DEPARTMENT OF DEFENSE SPECIFICATION

MIL-PRF-38535 - Integrated Circuits (Microcircuits) Manufacturing, General Specification for.

#### DEPARTMENT OF DEFENSE STANDARDS

MIL-STD-883 - Test Method Standard Microcircuits.  
MIL-STD-1835 - Interface Standard Electronic Component Case Outlines.

(Copies of these documents are available online at <http://assist.daps.dla.mil/quicksearch/> or [www.dodssp.daps.mil](http://www.dodssp.daps.mil) or from the Standardization Document Order Desk, 700 Robbins Avenue, Building 4D, Philadelphia, PA 19111-5094.)

2.3 Non-Government publications. The following document(s) form a part of this document to the extent specified herein. Unless otherwise specified, the issues of these documents are those cited in the solicitation.

#### ELECTRONIC INDUSTRIES ALLIANCE (EIA)

EIA/JEDEC Standard No. 78 - IC Latch-Up Test

JEDEC Standard No. 20 - Standard for Description of 54/74ACXXXXX and 54/74ACTXXXXX Advanced High-Speed CMOS Devices

(Copies of these documents are available on line at <http://www.jedec.org> or from-Electronics Industries Alliance, 2500 Wilson Boulevard, Arlington, VA 22201-3834).

2.4 Order of precedence. In the event of a conflict between the text of this document and the references cited herein, the text of this document takes precedence. Nothing in this document, however, supersedes applicable laws and regulations unless a specific exemption has been obtained.

### 3. REQUIREMENTS

3.1 Qualification. Microcircuits furnished under this specification shall be products that are manufactured by a manufacturer authorized by the qualifying activity for listing on the applicable qualified manufacturers list before contract award (see 4.3 and 6.4).

3.2 Item requirements. The individual item requirements shall be in accordance with MIL-PRF-38535 and as specified herein or as modified in the device manufacturer's Quality Management (QM) plan. The modification in the QM plan shall not affect the form, fit, or function as described herein.

3.3 Design, construction, and physical dimensions. The design, construction, and physical dimensions shall be as specified in MIL-PRF-38535 and herein.

3.3.1 Terminal connections. The terminal connections shall be as specified on figure 1.

3.3.2 Truth tables. The truth tables shall be as specified on figure 2.

3.3.3 Schematic circuits. The schematic circuits shall be maintained by the manufacturer and made available to the qualifying activity or preparing activity upon request.

3.3.4 Case outlines. The case outlines shall be as specified in 1.2.3 herein.

3.4 Electrical performance characteristics and post irradiation end-point electrical parameter limits. Unless otherwise specified, the electrical performance characteristics and postirradiation end-point electrical parameter limits are as specified in table I and apply over the case operating temperature range specified. Test conditions for these specified characteristics and limits are as specified in table I.

3.5 Lead material and finish. The lead material and finish shall be in accordance with MIL-PRF-38535 (see 6.6).

3.6 Electrical test requirements. The electrical test requirements for each device class shall be the subgroups specified in table II. The electrical tests for each subgroup are described in table I. Radiation hardness assurance level M, D, P, L, R, and F (see MIL-PRF-38535) in table I are postirradiation end-point electrical parameters.

3.7 Radiation hardness assurance identifier. The radiation hardness assurance identifier shall be in accordance with MIL-PRF-38535 and herein (see 3.6).

3.8 Marking. Marking shall be in accordance with MIL-PRF-38535.

3.9 Microcircuit group assignment. The devices covered by this specification shall be in microcircuit group number 37 (see MIL-PRF-38535, appendix A).

TABLE I. Electrical performance characteristics.

Test and MIL-STD-883 test method	Symbol	Test Conditions <u>1/</u> -55°C ≤ T <sub>C</sub> ≤ +125°C +3.0 V ≤ V <sub>CC</sub> ≤ +5.5 V unless otherwise specified	Device type <u>2/</u>	V <sub>CC</sub>	Group A subgroups	Limits <u>1/</u>		Unit	
						Min	Max		
High level output voltage 3006	V <sub>OH1</sub> <u>3/</u>	For all inputs affecting output under test, V <sub>IN</sub> = V <sub>IH</sub> or V <sub>IL</sub> V <sub>IH</sub> = 2.10 V V <sub>IL</sub> = 0.90 V For all other inputs, V <sub>IN</sub> = V <sub>CC</sub> or GND I <sub>OH</sub> = -50 μA	All	3.0 V	1, 2, 3	2.9		V	
	V <sub>OH2</sub> <u>3/</u>	For all inputs affecting output under test, V <sub>IN</sub> = V <sub>IH</sub> or V <sub>IL</sub> V <sub>IH</sub> = 3.15 V V <sub>IL</sub> = 1.35 V For all other inputs, V <sub>IN</sub> = V <sub>CC</sub> or GND I <sub>OH</sub> = -50 μA	All	4.5 V	1, 2, 3	4.4			
	V <sub>OH3</sub> <u>4/ 5/</u>	For all inputs affecting output under test, V <sub>IN</sub> = V <sub>IH</sub> or V <sub>IL</sub> V <sub>IH</sub> = 3.85 V V <sub>IL</sub> = 1.65 V For all other inputs, V <sub>IN</sub> = V <sub>CC</sub> or GND I <sub>OH</sub> = -50 μA	All	5.5 V	1, 2, 3	5.4			
			M		01-05, 11	1	5.4		
			D				5.4		
			P, L, R				5.4		
	F	01, 02, 03, 05		5.4					
	V <sub>OH4</sub> <u>3/</u>	For all inputs affecting output under test, V <sub>IN</sub> = V <sub>IH</sub> or V <sub>IL</sub> V <sub>IH</sub> = 2.10 V V <sub>IL</sub> = 0.90 V For all other inputs, V <sub>IN</sub> = V <sub>CC</sub> or GND I <sub>OH</sub> = -4.0 mA	All	3.0 V	1, 2, 3	2.4			
	V <sub>OH5</sub> <u>4/ 5/</u>	For all inputs affecting output under test, V <sub>IN</sub> = V <sub>IH</sub> or V <sub>IL</sub> V <sub>IH</sub> = 3.15 V V <sub>IL</sub> = 1.35 V For all other inputs, V <sub>IN</sub> = V <sub>CC</sub> or GND I <sub>OH</sub> = -24 mA	All	4.5 V	1, 2, 3	3.85			
			M		01-05, 11	1	3.7		
D						3.7			
P, L, R						3.7			
F	01, 02, 03, 05		3.7						

See footnotes at end of table.

TABLE I. Electrical performance characteristics - Continued.

Test and MIL-STD-883 test method	Symbol	Test Conditions <u>1/</u> -55°C ≤ T <sub>C</sub> ≤ +125°C +3.0 V ≤ V <sub>CC</sub> ≤ +5.5 V unless otherwise specified	Device type <u>2/</u>	V <sub>CC</sub>	Group A subgroups	Limits <u>1/</u>		Unit				
						Min	Max					
High level output voltage 3006	V <sub>OH6</sub> <u>3/</u>	For all inputs affecting output under test, V <sub>IN</sub> = V <sub>IH</sub> or V <sub>IL</sub> V <sub>IH</sub> = 3.85 V V <sub>IL</sub> = 1.65 V For all other inputs, V <sub>IN</sub> = V <sub>CC</sub> or GND I <sub>OH</sub> = -24 mA	All	5.5 V	1, 2, 3	4.7		V				
	V <sub>OH7</sub> <u>4/ 5/</u> <u>6/</u>	For all inputs affecting output under test, V <sub>IN</sub> = V <sub>IH</sub> or V <sub>IL</sub> V <sub>IH</sub> = 3.85 V V <sub>IL</sub> = 1.65 V For all other inputs, V <sub>IN</sub> = V <sub>CC</sub> or GND I <sub>OH</sub> = -50 mA	M	01-05, 11	1, 2, 3	3.85						
									D	1	3.85	
									P, L, R			
			F	01, 02, 03, 05	3.85							
Low level output voltage 3007	V <sub>OL1</sub> <u>3/</u>	For all inputs affecting output under test, V <sub>IN</sub> = V <sub>IH</sub> or V <sub>IL</sub> V <sub>IH</sub> = 2.10 V V <sub>IL</sub> = 0.90 V For all other inputs, V <sub>IN</sub> = V <sub>CC</sub> or GND I <sub>OL</sub> = 50 μA	All	3.0 V	1, 2, 3		0.1	V				
	V <sub>OL2</sub> <u>3/</u>	For all inputs affecting output under test, V <sub>IN</sub> = V <sub>IH</sub> or V <sub>IL</sub> V <sub>IH</sub> = 3.15 V V <sub>IL</sub> = 1.35 V For all other inputs, V <sub>IN</sub> = V <sub>CC</sub> or GND I <sub>OL</sub> = 50 μA	All	4.5 V	1, 2, 3		0.1					
	V <sub>OL3</sub> <u>4/ 5/</u>	For all inputs affecting output under test, V <sub>IN</sub> = V <sub>IH</sub> or V <sub>IL</sub> V <sub>IH</sub> = 3.85 V V <sub>IL</sub> = 1.65 V For all other inputs, V <sub>IN</sub> = V <sub>CC</sub> or GND I <sub>OL</sub> = 50 μA	M	01-05, 11	1, 2, 3			0.1				
									D	1	0.1	
									P, L, R			
F			01, 02, 03, 05	0.1								
V <sub>OL4</sub> <u>3/</u>	For all inputs affecting output under test, V <sub>IN</sub> = V <sub>IH</sub> or V <sub>IL</sub> V <sub>IH</sub> = 2.10 V V <sub>IL</sub> = 0.90 V For all other inputs, V <sub>IN</sub> = V <sub>CC</sub> or GND I <sub>OL</sub> = 12 mA	All		3.0 V	1, 3		0.4					
					2		0.5					

See footnotes at end of table.

TABLE I. Electrical performance characteristics - Continued.

Test and MIL-STD-883 test method	Symbol	Test Conditions <u>1/</u> -55°C ≤ T <sub>C</sub> ≤ +125°C +3.0 V ≤ V <sub>CC</sub> ≤ +5.5 V unless otherwise specified	Device type <u>2/</u>	V <sub>CC</sub>	Group A subgroups	Limits <u>1/</u>		Unit
						Min	Max	
Low level output voltage 3007	V <sub>OL5</sub> <u>4/ 5/</u>	For all inputs affecting output under test, V <sub>IN</sub> = V <sub>IH</sub> or V <sub>IL</sub> V <sub>IH</sub> = 3.15 V V <sub>IL</sub> = 1.35 V For all other inputs, V <sub>IN</sub> = V <sub>CC</sub> or GND I <sub>OL</sub> = 24 mA	All	4.5 V	1, 3		0.4	V
							2	
			M D P, L, R		01-05, 11	1	0.4	
							0.4	
							0.4	
	F	01, 02, 03, 05		0.4				
	V <sub>OL6</sub> <u>3/</u>	For all inputs affecting output under test, V <sub>IN</sub> = V <sub>IH</sub> or V <sub>IL</sub> V <sub>IH</sub> = 3.85V V <sub>IL</sub> = 1.65 V For all other inputs, V <sub>IN</sub> = V <sub>CC</sub> or GND I <sub>OL</sub> = 24 mA	All	5.5 V	1, 3		0.4	
							2	0.5
	V <sub>OL7</sub> <u>4/ 5/</u> <u>6/</u>	For all inputs affecting output under test, V <sub>IN</sub> = V <sub>IH</sub> or V <sub>IL</sub> V <sub>IH</sub> = 3.85 V V <sub>IL</sub> = 1.65 V For all other inputs, V <sub>IN</sub> = V <sub>CC</sub> or GND I <sub>OL</sub> = 50 mA	All	5.5 V	1, 2, 3		1.65	
							M D P, L, R F	01-05, 11
			1.65					
			1.65					
F			01, 02, 03, 05			1.65		
Positive input clamp voltage 3022	V <sub>IC+</sub> <u>4/ 5/</u>	For input under test, I <sub>IN</sub> = 1 mA	All	GND	1	0.4	1.5	
							M D P, L, R F	01-05, 11
			1.5					
			1.5					
			F		01, 02, 03, 05		1.5	
Negative input clamp voltage 3022	V <sub>IC-</sub> <u>4/ 5/</u>	For input under test, I <sub>IN</sub> = -1 mA	All	Open	1	-0.4	-1.5	
							M D P, L, R F	01-05, 11
			-1.5					
			-1.5					
			F		01, 02, 03, 05		-1.5	
Input current low 3009	I <sub>IL</sub> <u>4/ 5/</u>	For input under test, V <sub>IN</sub> = GND For all other inputs, V <sub>IN</sub> = V <sub>CC</sub> or GND	All	5.5 V	1		-0.1	
							M D P, L, R F	01-05, 11
			1		-0.1			
					-0.1			
			F		01, 02, 03, 05		-0.1	

See footnotes at end of table.

TABLE I. Electrical performance characteristics - Continued.

Test and MIL-STD-883 test method	Symbol	Test Conditions <u>1/</u> -55°C ≤ T <sub>c</sub> ≤ +125°C +3.0 V ≤ V <sub>CC</sub> ≤ +5.5 V unless otherwise specified	Device type <u>2/</u>	V <sub>CC</sub>	Group A subgroups	Limits <u>1/</u>		Unit	
						Min	Max		
Input current high 3010	I <sub>IH</sub> <u>4/ 5/</u>	For input under test, V <sub>IN</sub> = V <sub>CC</sub> For all other inputs, V <sub>IN</sub> = V <sub>CC</sub> or GND	All	5.5 V	1		0.1	μA	
					2		1.0		
			M		01-05, 11	1			0.1
			D				0.1		
			P, L, R				0.1		
F	01, 02, 03, 05		0.1						
Quiescent supply current output high 3005	I <sub>CCH</sub> <u>4/ 5/</u>	For all inputs, V <sub>IN</sub> = V <sub>CC</sub> or GND	01, 02	5.5 V	1		1.0	μA	
					2		20.0		
					1		2.0		
					2		40.0		
			M		01, 03, 05, 11	1		15.0	μA
							60.0		
							50.0		
			D		01, 03, 05, 11	1		75.0	μA
							320.0		
							240.0		
			P, L, R		01, 03, 05, 11	1		0.7	mA
							1.5		
							1.2		
			F		01, 03, 05			0.7	
						02		1.5	
Quiescent supply current output low 3005	I <sub>CCL</sub> <u>4/ 5/</u>	For all inputs, V <sub>IN</sub> = V <sub>CC</sub> or GND	01, 02	5.5 V	1		1.0	μA	
					2		20.0		
					1		2.0		
					2		40.0		
			M		01, 03, 05, 11	1		15.0	
							60.0		
							50.0		
			D		01, 03, 05, 11	1		75.0	
							320.0		
							240.0		
			P, L, R		01, 03, 05, 11	1		0.7	mA
							1.5		
							1.2		
			F		01, 03, 05			0.7	
						02		1.5	
Quiescent supply current output three-state 3005	I <sub>CCZ</sub> <u>4/ 5/</u>	For all inputs, V <sub>IN</sub> = V <sub>CC</sub> or GND	03-05 10, 11	5.5 V	1		2.0	μA	
					2		40.0		
			M		03, 05, 11	1		15.0	
							50.0		
			D		03, 05, 11	1		75.0	
							240.0		
			P, L, R		03, 05, 11	1		0.7	mA
							1.2		
			F		03, 05			0.7	

See footnotes at end of table.



TABLE I. Electrical performance characteristics - Continued.

Test and MIL-STD-883 test method	Symbol	Test Conditions <u>1/</u> -55°C ≤ T <sub>C</sub> ≤ +125°C +3.0 V ≤ V <sub>CC</sub> ≤ +5.5 V unless otherwise specified	Device type <u>2/</u>	V <sub>CC</sub>	Group A subgroups	Limits <u>1/</u>		Unit	
						Min	Max		
Three-state output leakage current low 3020	I <sub>OZL</sub> <u>4/ 5/</u> <u>7/</u>	V <sub>OUT</sub> = GND	03-05 10, 11	5.5 V	1, 3		-0.5	μA	
					2		-10.0		
			M D P, L, R F		03-05, 11	1			-1.0
									-3.0
									-20.0
	03, 05			-20.0					
Three-state output leakage current high 3021	I <sub>OZH</sub> <u>4/ 5/</u> <u>7/</u>	V <sub>OUT</sub> = V <sub>CC</sub>	03-05 10, 11	5.5 V	1, 3		0.5	μA	
					2		10.0		
			M D P, L, R F		03-05, 11	1			1.0
									3.0
									20.0
	03, 05			20.0					
Positive-going threshold voltage 3006	V <sub>T+</sub> <u>4/ 5/</u> <u>8/</u>	For input under test V <sub>IN</sub> = GND All other inputs at V <sub>CC</sub> or GND	02	3.0 V	1, 2, 3	0.9	2.2	V	
				4.5 V		1.35	3.2		
				5.5 V		1.65	3.9		
			M D P, L, R, F	02	1	3.0 V	0.9		2.2
						5.5 V	1.65		3.9
						3.0 V	0.9		2.2
		5.5 V				1.65	3.9		
					3.0 V	0.9	2.2		
					5.5 V	1.65	3.9		
		Negative-going threshold voltage 3006	V <sub>T-</sub> <u>4/ 5/</u> <u>9/</u>	For input under test V <sub>IN</sub> = GND All other inputs at V <sub>CC</sub> or GND	02	3.0 V	1, 2, 3		0.5
4.5 V	0.9					3.15			
5.5 V	1.1					3.85			
M D P, L, R, F	02				1	3.0 V	0.5	2.1	
						5.5 V	1.1	3.85	
						3.0 V	0.5	2.1	
				5.5 V		1.1	3.85		
					3.0 V	0.5	2.1		
					5.5 V	1.1	3.85		
Hysteresis voltage	V <sub>H</sub> <u>4/ 5/</u>			Calculated value (V <sub>H</sub> = V <sub>T+</sub> - V <sub>T-</sub> )	02	3.0 V	1, 2, 3	0.3	1.2
		4.5 V	0.4			1.4			
		5.5 V	0.5			1.6			
		M D P, L, R F	02		1	3.0 V	0.3	1.2	
						5.5 V	0.5	1.6	
						3.0 V	0.3	1.2	
						5.5 V	0.5	1.6	
						3.0 V	0.3	1.2	
						5.5 V	0.5	1.6	
						3.0 V	0.3	1.4	
			5.5 V	0.5	1.9				

See footnotes at end of table.

TABLE I. Electrical performance characteristics - Continued.

Test and MIL-STD-883 test method	Symbol	Test Conditions <u>1/</u> -55°C ≤ T <sub>C</sub> ≤ +125°C +3.0 V ≤ V <sub>CC</sub> ≤ +5.5 V unless otherwise specified	Device type <u>2/</u>	V <sub>CC</sub>	Group A subgroups	Limits <u>1/</u>		Unit
						Min	Max	
Input capacitance 3012	C <sub>IN</sub>	See 4.4.1c T <sub>C</sub> = +25°C	All	0.0 V	4		10	pF
Output capacitance 3012	C <sub>OUT</sub>	See 4.4.1c T <sub>C</sub> = +25°C	03-11	5.5 V	4		15	pF
Power dissipation capacitance	C <sub>PD</sub> <u>10/</u>	See 4.4.1c T <sub>C</sub> = +25°C	01, 02	5.0 V	4		50	pF
			03-11				65	
Low level ground bounce noise	V <sub>GBL</sub> <u>11/ 12/</u>	V <sub>LD</sub> = 2.5 V I <sub>OL</sub> = +24 mA, see figure 3	All	4.5 V	4	0	2000	mV
High level ground bounce noise	V <sub>GBH</sub> <u>11/ 12/</u>	V <sub>LD</sub> = 2.5 V I <sub>OH</sub> = -24 mA, see figure 3	All	4.5 V	4	0	2000	mV
Latch-up input/output over-voltage	I <sub>CC</sub> (O/V1) <u>13/</u>	t <sub>w</sub> ≥ 100 μs t <sub>cool</sub> ≥ t <sub>w</sub> 5 μs ≤ t <sub>r</sub> ≤ 5 ms 5 μs ≤ t <sub>f</sub> ≤ 5 ms V <sub>test</sub> = 6.0 V V <sub>CCQ</sub> = 5.5 V V <sub>over</sub> = 10.5 V	All	5.5 V	2		200	mA
Latch-up input/output positive over-current	I <sub>CC</sub> (O/I1+) <u>13/</u>	t <sub>w</sub> ≥ 100 μs t <sub>cool</sub> ≥ t <sub>w</sub> 5 μs ≤ t <sub>r</sub> ≤ 5 ms 5 μs ≤ t <sub>f</sub> ≤ 5 ms V <sub>test</sub> = 6.0 V V <sub>CCQ</sub> = 5.5 V I <sub>trigger</sub> = +120 mA	All	5.5 V	2		200	mA
Latch-up input/output negative over-current	I <sub>CC</sub> (O/I1-) <u>13/</u>	t <sub>w</sub> ≥ 100 μs t <sub>cool</sub> ≥ t <sub>w</sub> 5 μs ≤ t <sub>r</sub> ≤ 5 ms 5 μs ≤ t <sub>f</sub> ≤ 5 ms V <sub>test</sub> = 6.0 V V <sub>CCQ</sub> = 5.5 V I <sub>trigger</sub> = -120 mA	All	5.5 V	2		200	mA
Latch-up supply over-voltage	I <sub>CC</sub> (O/V2) <u>13/</u>	t <sub>w</sub> ≥ 100 μs t <sub>cool</sub> ≥ t <sub>w</sub> 5 μs ≤ t <sub>r</sub> ≤ 5 ms 5 μs ≤ t <sub>f</sub> ≤ 5 ms V <sub>test</sub> = 6.0 V V <sub>CCQ</sub> = 5.5 V V <sub>over</sub> = 9.0 V	All	5.5 V	2		100	mA

See footnotes at end of table.

TABLE I. Electrical performance characteristics - Continued.

Test and MIL-STD-883 test method	Symbol	Test Conditions <u>1/</u> -55°C ≤ T <sub>C</sub> ≤ +125°C +3.0 V ≤ V <sub>CC</sub> ≤ +5.5 V unless otherwise specified		Device type <u>2/</u>	V <sub>CC</sub>	Group A subgroups	Limits <u>1/</u>		Unit
							Min	Max	
Truth table test output voltage 3014	<u>4/ 5/ 14/</u>	V <sub>IL</sub> = 0.45 V, V <sub>IH</sub> = 2.50 V Verify output V <sub>OUT</sub>	M	01-05, 11	3.0 V	7	L	H	
			D				L	H	
P, L, R	01, 02, 03, 05		L	H					
F			L	H					
		V <sub>IL</sub> = 0.60 V, V <sub>IH</sub> = 3.70 V Verify output V <sub>OUT</sub>	All	4.5 V	7, 8	L	H		
Propagation delay time, data to output 3003	t <sub>PHL</sub> , t <sub>PLH</sub> <u>4/ 5/ 15/ 16/</u>	C <sub>L</sub> = 50 pF minimum, R <sub>L</sub> = 500Ω see figure 4	M	01, 03	3.0 V	9, 11	1.0	8.0	ns
				02			1.0	11.0	
				04, 05			1.0	13.5	
							1.0	16.0	
				10, 11			1.0	9.0	
							1.0	12.0	
			D	9, 11			1.0	7.5	
				1.0			9.0		
				9			1.0	8.0	
							1.0	13.5	
			P, L, R	1.0			9.0		
				1.0			7.5		
				9			1.0	8.0	
							1.0	13.5	
			F	1.0			9.0		
				1.0			7.5		
				9			1.0	8.0	
							1.0	13.5	

See footnotes at end of table.

TABLE I. Electrical performance characteristics - Continued.

Test and MIL-STD-883 test method	Symbol	Test Conditions <u>1/</u> -55°C ≤ T <sub>C</sub> ≤ +125°C +3.0 V ≤ V <sub>CC</sub> ≤ +5.5 V unless otherwise specified	Device type <u>2/</u>	V <sub>CC</sub>	Group A subgroups	Limits <u>1/</u>		Unit		
						Min	Max			
Propagation delay time, data to output 3003	t <sub>PHL</sub> , t <sub>PLH</sub> <u>4/ 5/</u> <u>15/ 16/</u>	C <sub>L</sub> = 50 pF minimum, R <sub>L</sub> = 500Ω see figure 4	01, 03	4.5 V	9, 11	1.0	6.5	ns		
						10	1.0		8.5	
					02	9, 11	1.0		10.0	
							10		1.0	12.0
					04, 05	9, 11	1.0		7.0	
							10		1.0	9.5
			10, 11		9, 11	1.0	6.0			
						10	1.0		7.0	
			M		01, 03	9	1.0		6.5	
							02		1.0	10.0
							04, 05		1.0	7.0
							11		1.0	6.0
			D		01, 03	9	1.0		6.5	
							02		1.0	10.0
							04, 05		1.0	7.0
							11		1.0	6.0
			P, L, R		01, 03	9	1.0		6.5	
							02		1.0	10.0
							04, 05		1.0	7.0
							11		1.0	6.0
			F		01, 03	9	1.0		6.5	
							05		1.0	7.0
							02		1.0	10.0
							02		1.0	10.0
Propagation delay time, output enable 3003	t <sub>PZL</sub> , t <sub>PZH</sub> <u>4/ 5/</u> <u>15/ 16/</u>	C <sub>L</sub> = 50 pF minimum, R <sub>L</sub> = 500Ω see figure 4	03-05 10, 11	3.0 V	9, 11	1.0	11.5	ns		
						10	1.0		13.0	
			M		03-05,11	9	1.0		11.5	
							D		1.0	11.5
			P, L, R		05	9	1.0		11.5	
							F		1.0	13.5
			03		03-05 10, 11	9, 11	1.0		11.5	
							10		1.0	10.5
		M	03-05, 11		9	1.0	9.0			
						D	1.0		9.0	
						P, L, R	1.0		9.0	
						F	1.0		9.0	
		03, 05	03, 05		9	1.0	9.0			
						10	1.0		10.5	
						9, 11	1.0		9.0	
						10	1.0		10.5	

See footnotes at end of table.

TABLE I. Electrical performance characteristics - Continued.

Test and MIL-STD-883 test method	Symbol	Test Conditions <u>1/</u> -55°C ≤ T <sub>C</sub> ≤ +125°C +3.0 V ≤ V <sub>CC</sub> ≤ +5.5 V unless otherwise specified	Device type <u>2/</u>	V <sub>CC</sub>	Group A subgroups	Limits <u>1/</u>		Unit		
						Min	Max			
Propagation delay time, output disable 3003	t <sub>PLZ</sub> , t <sub>PHZ</sub> <u>4/ 5/</u> <u>15/ 16/</u>	C <sub>L</sub> = 50 pF minimum, R <sub>L</sub> = 500Ω see figure 4	03-05 10, 11	3.0 V	9, 11	1.0	11.5	ns		
									M	03-05, 11
			D		9	1.0	11.5			
									P, L, R	05
			F		10	1.0	13.5			
									03	9, 11
		C <sub>L</sub> = 50 pF minimum, R <sub>L</sub> = 500Ω see figure 4	03-05 10, 11	4.5 V	9, 11	1.0	9.0			
									M	03-05, 11
			D		9	1.0	9.0			
									P, L, R	03, 05
			F		03, 05	1.0	9.0			
									03, 05	9, 11

1/ Each input/output, as applicable shall be tested at the specified temperature for the specified limits. Output terminals not designated shall be high level logic, low level logic, or open, except as follows:

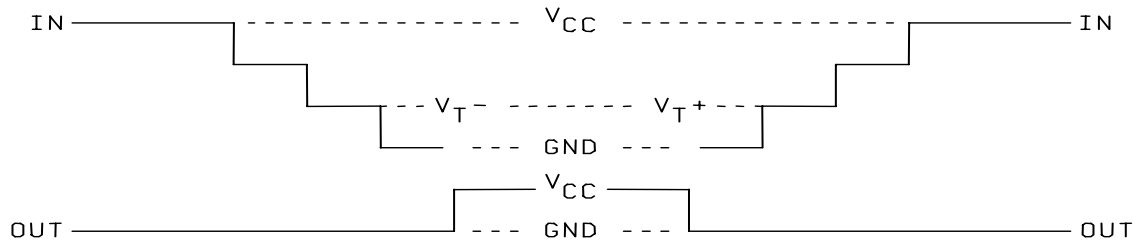
- a. V<sub>IC</sub> (pos) tests, the GND terminal can be open. T<sub>C</sub> = +25°C.
- b. V<sub>IC</sub> (neg) tests, the V<sub>CC</sub> terminal shall be open. T<sub>C</sub> = +25°C.
- c. All I<sub>CC</sub> tests, the output terminal shall be open. When performing these tests, the current meter shall be placed in the circuit such that all current flows through the meter.

For negative and positive voltage and current values, the sign designates the potential difference in reference to GND and the direction of current flow respectively and the absolute value of the magnitude, not the sign, is relative to the minimum and maximum limits, as applicable, listed herein.

- 2/ The word "All" in the device type column means non-RHA limits for all device types. M, D, P, L, R, and F in the conditions column specify the postirradiation limits for those device types specified in the device type column.
- 3/ This test is guaranteed, if not tested, to the limits specified in table I.
- 4/ RHA samples do not have to be tested at -55°C and +125°C prior to irradiation.
- 5/ When performing postirradiation electrical measurements for RHA level, T<sub>A</sub> = +25°C. Limits shown are guaranteed at T<sub>A</sub> = +25°C ±5°C.
- 6/ Transmission driving tests are performed at V<sub>CC</sub> = 5.5 V dc with a 2 ms duration maximum.
- 7/ Three-state output conditions are required. For I<sub>OZL</sub>, set outputs to high state. For I<sub>OZH</sub>, set outputs to low state. Set output enable control pins to V<sub>IL</sub> = V<sub>IL(MAX)</sub> and V<sub>IH</sub> = V<sub>IH(MIN)</sub>, as required.

TABLE I. Electrical performance characteristics - Continued.

- 8/ Increment input in 50 mV steps beginning 100 mV below the minimum limit specified until the output changes from  $V_{CC}$  to GND. The input voltage where this transition occurs is  $V_{T+}$ .



- 9/ Decrement input in 50 mV steps beginning 100 mV above the maximum limits specified until the output changes from GND to  $V_{CC}$ . The input voltage where this transition occurs is  $V_{T-}$ .
- 10/ Power dissipation capacitance ( $C_{PD}$ ) determines the no load dynamic power consumption,  $P_D = (C_{PD} + C_L)(V_{CC} \times V_{CC})f + (I_{CC} \times V_{CC})$ . The dynamic current consumption,  $I_S = (C_{PD} + C_L)V_{CC}f + I_{CC}$ . For both  $C_{PD}$  and  $I_S$ ,  $f$  is the frequency of the input signal and  $d$  is the duty cycle of the input signal.
- 11/ This test is for qualification only. Ground bounce tests are performed on a nonswitching (quiescent) output and are used to measure the magnitude of induced noise caused by other simultaneously switching outputs. The test is performed on a low noise bench test fixture with all outputs fully dc loaded ( $I_{OL}$  maximum and  $I_{OH}$  maximum = i.e.,  $\pm 24$  mA) and 50 pF of load capacitance (see figure 3). The loads must be located as close as possible to the device output. Inputs are then conditioned with 1 MHz pulse ( $t_r = t_f = 3.5 \pm 1.5$  ns) switching simultaneously and in phase such that one output is forced low and all others (possible) are switched. The low level ground bounce noise is measured at the quiet output using a F.E.T. oscilloscope probe with at least 1 M $\Omega$  impedance. Measurement is taken from the peak of the largest positive pulse with respect to the nominal low level output voltage (figure 3). The device inputs are then conditioned such that the output under test is at a high nominal  $V_{OH}$  level. The high level ground bounce measurement is then measured from nominal  $V_{OH}$  level to the largest negative peak. This procedure is repeated such that all outputs are tested at a high and low level with a maximum number of outputs switching.
- 12/ When using in asynchronous TTL compatible systems, ground bounce ( $V_{GBL}$  and  $V_{GBH}$ ) = 2000 mV can be a possible problem.
- 13/ See EIA/JEDEC STD. No. 78 for electrically induced latch-up test methods and procedures. The values listed for  $I_{trigger}$  and  $V_{over}$  are to be accurate within  $\pm 5$  percent.
- 14/ Tests shall be performed in sequence, attributes data only. Functional tests shall include the truth tables and other logic patterns used for fault detection. Functional tests shall be performed in sequence as approved by the qualifying activity on qualified devices.  $H \geq 2.5$  V,  $L < 2.5$  V; high inputs = 3.7 V and low inputs = 0.6 V for  $V_{CC} = 4.5$  V and  $H \geq 1.5$  V,  $L < 1.5$  V; high inputs = 2.5 V and low inputs = 0.45 V for  $V_{CC} = 3.0$  V. Tests at  $V_{CC} = 3.0$  V are for RHA specified devices only ( $T_A = +25^\circ\text{C} \pm 5^\circ\text{C}$ ). Functional tests at  $V_{CC} = 3.0$  V are worst case for RHA specified devices.
- 15/ Device are tested at  $V_{CC} = 3.0$  V and  $V_{CC} = 4.5$  V at  $T_C = +125^\circ\text{C}$  for sample testing and at  $V_{CC} = 3.0$  V and  $V_{CC} = 4.5$  V at  $T_C = +25^\circ\text{C}$  for screening. Other voltages of  $V_{CC}$  and temperatures are guaranteed, if not tested. See 4.4.1d.
- 16/ AC limits at  $V_{CC} = 5.5$  V are equal to the limits at  $V_{CC} = 4.5$  V and guaranteed by testing at  $V_{CC} = 4.5$  V. Minimum ac limits for  $V_{CC} = 5.5$  V are 1.0 ns and guaranteed by guardbanding the  $V_{CC} = 4.5$  V minimum limits to 1.5 ns. For propagation delay tests, all paths must be tested.

Device types	01, 02		03, 05	04	10, 11
Case outlines	C, D, Y	2	R, S, Z, 2	R, S, Z, 2	R, S, Z, 2
<u>Pin number</u>					
1	1A	NC	$\overline{\text{OE1}}$	$\overline{\text{OE1}}$	$\overline{\text{OE1}}$
2	1Y	1A	1A1	1A1	1A
3	2A	1Y	2Y4	2Y4	2A
4	2Y	2A	1A2	1A2	3A
5	3A	NC	2Y3	2Y3	4A
6	3Y	2Y	1A3	1A3	5A
7	GND	NC	2Y2	2Y2	6A
8	4Y	3A	1A4	1A4	7A
9	4A	3Y	2Y1	2Y1	8A
10	5Y	GND	GND	GND	GND
11	5A	NC	2A1	2A1	8Y
12	6Y	4Y	1Y4	1Y4	7Y
13	6A	4A	2A2	2A2	6Y
14	V <sub>CC</sub>	5Y	1Y3	1Y3	5Y
15	---	NC	2A3	2A3	4Y
16	---	5A	1Y2	1Y2	3Y
17	---	NC	2A4	2A4	2Y
18	---	6Y	1Y1	1Y1	1Y
19	---	6A	$\overline{\text{OE2}}$	$\overline{\text{OE2}}$	$\overline{\text{OE2}}$
20	---	V <sub>CC</sub>	V <sub>CC</sub>	V <sub>CC</sub>	V <sub>CC</sub>

NC = No Connection

FIGURE 1. Terminal connections.

Device types 01 and 02

Truth table each gate	
Input	Output
A	Y
L	H
H	L

Device type 03

Truth table each gate		
Input		Output
$\overline{\text{OEn}}$	A	Y
L	L	H
L	H	L
H	X	Z

Device type 04

Truth table each buffer					
Input		Output	Input		Output
$\overline{\text{OE1}}$	1A	1Y	$\overline{\text{OE2}}$	2A	2Y
L	L	L	L	L	Z
L	H	H	L	H	Z
H	L	Z	H	L	L
H	H	Z	H	H	H

Device type 05

Truth table each buffer					
Input		Output	Input		Output
$\overline{\text{OE1}}$	1A	1Y	$\overline{\text{OE2}}$	2A	2Y
L	L	L	L	L	L
L	H	H	L	H	H
H	L	Z	H	L	Z
H	H	Z	H	H	Z

Device type 10

Truth table each buffer			
Input			Output
$\overline{\text{OE1}}$	$\overline{\text{OE2}}$	A	Y
L	L	H	L
L	L	L	H
X	H	X	Z
H	X	X	Z

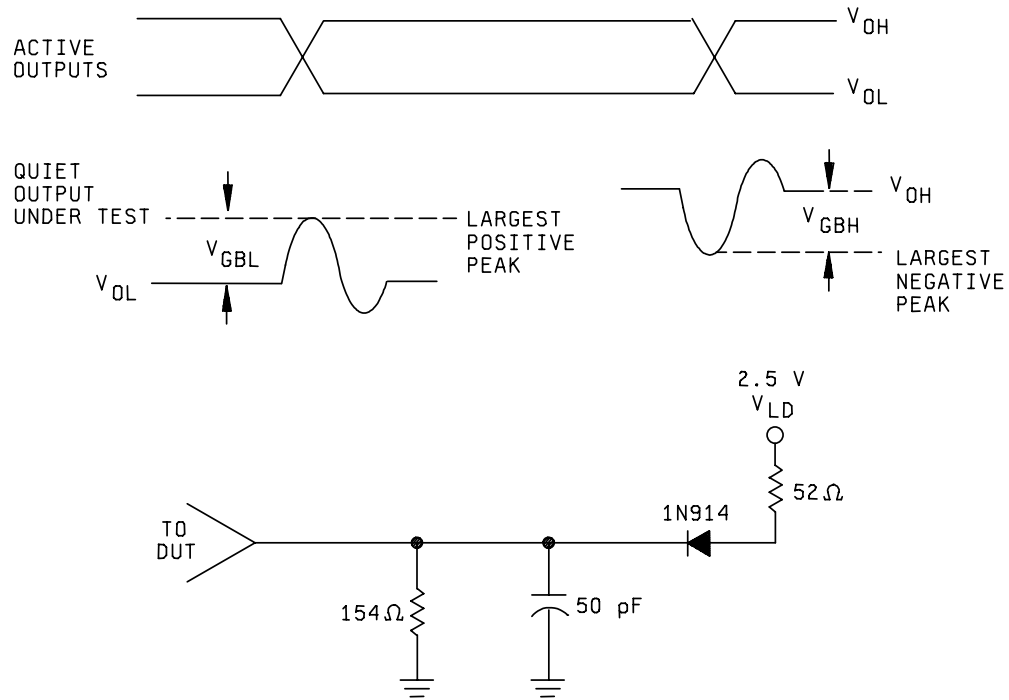
Device type 11

Truth table each buffer			
Input			Output
$\overline{\text{OE1}}$	$\overline{\text{OE2}}$	A	Y
L	L	L	L
L	L	H	H
X	H	X	Z
H	X	X	Z

H = High level, L = Low level, Z = High-impedance, and X = Don't care

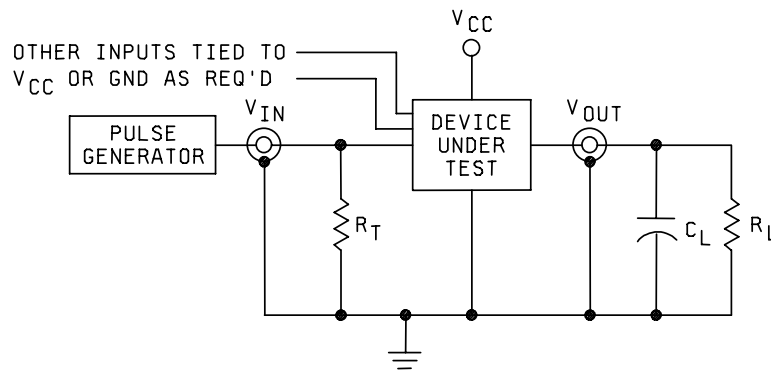
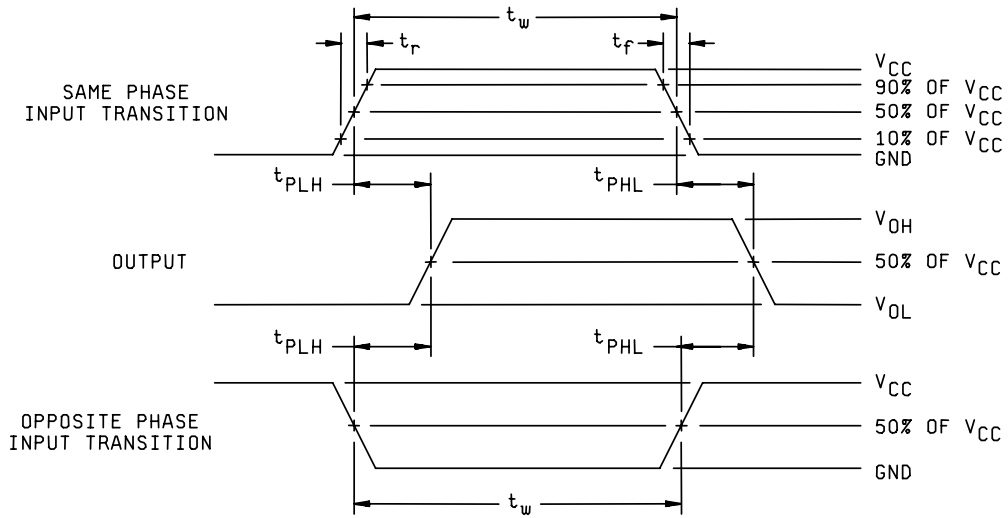
FIGURE 2. Truth tables.





NOTE: Resistor and capacitor tolerances =  $\pm 10\%$ .

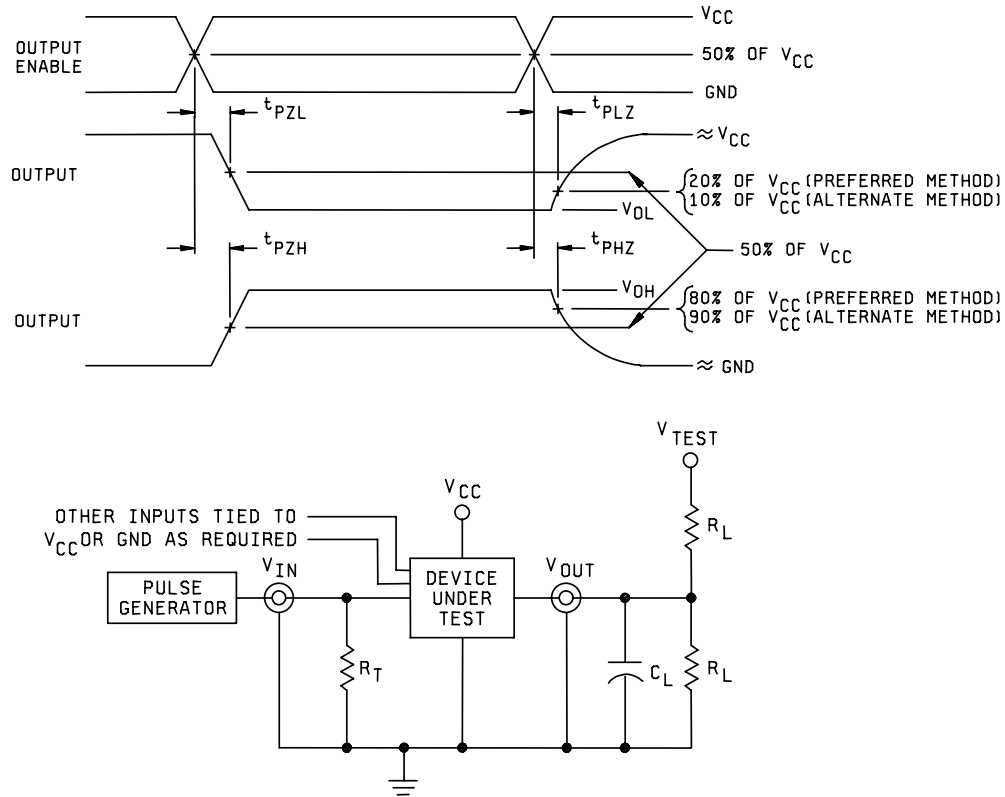
FIGURE 3. Voltage levels for ground bounce.



NOTES:

1.  $t_r, t_f \leq 3$  ns, PRR  $\leq 10$  MHz, duty cycle = 50 percent.
2.  $C_L = 50$  pF minimum or equivalent (includes test jig and probe capacitance).
3.  $R_L = 500\Omega$  or equivalent.
4.  $R_T = 50\Omega$  or equivalent.

FIGURE 4. Switching waveforms and test circuit.



## NOTES:

1. Preferred methods:  
When measuring  $t_{PHZ}$  or  $t_{PZH}$ :  $V_{TEST} = \text{GND}$ .  
When measuring  $t_{PLZ}$  or  $t_{PZL}$ :  $V_{TEST} = 2(V_{CC})$ .
2. Alternate method:  
When measuring  $t_{PHZ}$  or  $t_{PZH}$ :  $V_{TEST} = \text{OPEN}$ .  
When measuring  $t_{PLZ}$  or  $t_{PZL}$ :  $V_{TEST} = 2(V_{CC})$ .
3.  $C_L = 50\text{pF}$  or equivalent (includes test jig and probe capacitance).
4.  $R_L = 500\Omega$  or equivalent.
5.  $R_T = 50\Omega$  or equivalent.
6.  $V_{IN} = 0\text{ V to } V_{CC}$ .

FIGURE 4. Switching waveforms and test circuit – Continued.

#### 4. VERIFICATION

4.1 Sampling and inspection. Sampling and inspection procedures shall be in accordance with MIL-PRF-38535 or as modified in the device manufacturer's Quality Management (QM) plan. The modification in the QM plan shall not affect the form, fit, or function as described herein.

4.1.1 Burn-in and life test circuits. Burn-in and life test circuits shall be constructed so that the devices are stressed at the maximum operating conditions stated in 4.2c or 4.2d, as applicable, or equivalent as approved by the qualifying activity.

4.2 Screening. Screening shall be in accordance with MIL-PRF-38535 and shall be conducted on all devices prior to qualification and quality conformance inspection. The following additional criteria shall apply:

- a. The burn-in test duration, test condition, and test temperature, or approved alternatives shall be as specified in the device manufacturer's QM plan in accordance with MIL-PRF-38535. The burn-in test circuit shall be maintained under document control by the device manufacturer's Technology Review Board (TRB) in accordance with MIL-PRF-38535 and shall be made available to the acquiring or preparing activity upon request. The test circuit shall specify the inputs, outputs, biases, and power dissipation, as applicable, in accordance with the intent specified in test method 1015 of MIL-STD-883.
- b. Delete the sequence specified as initial (pre-burn-in) electrical parameters through interim (post-burn-in) electrical parameters of method 5004 and substitute lines 1 through 7 of table II herein.
- c. Static burn-in (test condition A) method 1015 of MIL-STD-883. Test duration for each static test shall be 24 hours minimum for class S devices and in accordance with table I of method 1015 for class B devices.
  - (1) For static burn-in I, all inputs shall be connected to GND. Outputs may be open or connected to  $V_{CC}/2$ . Resistors R1 are optional on both inputs and open outputs, and required on outputs connected to  $V_{CC}/2 \pm 0.5$  V.  $R1 = 220\Omega$  to 47 k $\Omega$ .
  - (2) For static burn-in II, all inputs shall be connected through the R1 resistors to  $V_{CC}$ . Outputs may be open or connected to  $V_{CC}/2 \pm 0.5$  V. Resistors R1 are optional on open outputs, and required on outputs connected to  $V_{CC}/2 \pm 0.5$  V.  $R1 = 220\Omega$  to 47 k $\Omega$ .
  - (3)  $V_{CC} = 5.5$  V +0.5 V, -0.00 V.
- d. Dynamic burn-in, test condition D method 1015 of MIL-STD-883.
  - (1) Input resistors =  $220\Omega$  to 2 k $\Omega$   $\pm 20$  percent.
  - (2) Output resistors =  $220\Omega$   $\pm 20$  percent.
  - (3)  $V_{CC} = 5.5$  V +0.5 V, -0.00 V.
  - (4) The output enable control pins shall be connected through the resistors in parallel to  $V_{CC}$  or GND, as applicable, to enable the outputs. All other inputs shall be connected through the resistors in parallel to a clock pulse (CP). Outputs shall be connected through the resistors to  $V_{CC}/2$ .
  - (5) CP = 25 kHz to 1 MHz square wave; duty cycle = 50 percent  $\pm 15$  percent;  $V_{IH} = 4.5$  V to  $V_{CC}$ ,  $V_{IL} = 0$  V  $\pm 0.5$  V;  $t_r, t_f \leq 100$  ns.
- e. Interim and final electrical test parameters shall be as specified in table II.
- f. For class S devices, post dynamic burn-in, or class B devices, post static burn-in, electrical parameter measurements may, at the manufacturer's option, be performed separately or included in the final electrical parameter requirements.

#### 4.2.1 Percent defective allowable (PDA).

- a. The PDA for class S devices shall be 5 percent for static burn-in and 5 percent for dynamic burn-in, based on the exact number of devices submitted to each separate burn-in.
- b. Static burn-in I and II failures shall be cumulative for determining the PDA.
- c. The PDA for class B devices shall be in accordance with MIL-PRF-38535 for static burn-in. Dynamic burn-in is not required.
- d. Those devices whose measured characteristics, after burn-in, exceed the specified delta ( $\Delta$ ) limits or electrical parameter limits specified in table I, subgroup 1, are defective and shall be removed from the lot. The verified number of failed devices times 100 divided by the total number of devices in the lot initially submitted to burn-in shall be used to determine the percent defective for the lot and the lot shall be accepted or rejected based on the specified PDA.

#### 4.3 Qualification inspection. Qualification inspection shall be in accordance with MIL-PRF-38535.

#### 4.4 Technology Conformance inspection (TCI). Technology conformance inspection shall be in accordance with MIL-PRF-38535 and herein for groups A, B, C, D, and E inspections (see 4.4.1 through 4.4.5).

##### 4.4.1 Group A inspection. Group A inspection shall be in accordance with table III of MIL-PRF-38535 and as follows:

- a. Tests shall be performed in accordance with table II herein.
- b. O/V and O/I (latch-up) tests and  $V_{GBL/H}$  (ground bounce) tests shall be measured only for initial qualification and after process or design changes which may affect the performance of the device. Latch-up test shall be considered destructive. Test all applicable pins on 5 devices with no failures.
- c.  $C_{IN}$ ,  $C_{OUT}$ , and  $C_{PD}$  shall be measured only for initial qualification and after process or design changes which may affect capacitance.  $C_{IN}$  and  $C_{OUT}$  shall be measured between the designated terminal and GND at a frequency of 1 MHz.  $C_{PD}$  shall be tested in accordance with the latest revision of JEDEC Standard No. 20 and table I herein. For  $C_{IN}$ ,  $C_{OUT}$ , and  $C_{PD}$ , test all applicable pins on five devices with zero failures.
- d. Subgroups 9 and 11 shall be measured only for initial qualification and after process or design changes which may affect dynamic performance.
- e. Subgroups 7 and 8 tests shall be sufficient to verify the truth table.

##### 4.4.2 Group B inspection. Group B inspection shall be in accordance with table II of MIL-PRF-38535.

TABLE II. Burn-in and electrical test requirements.

Line no.	MIL-PRF-38535 test requirements	Class S device <sup>1/</sup>			Class B device <sup>1/</sup>		
		Reference paragraph	Table I subgroups <sup>2/</sup>	Table III delta limits <sup>3/</sup>	Reference paragraph	Table I subgroups <sup>2/</sup>	Table III delta limits <sup>3/</sup>
1	Interim electrical parameters		1			1	
2	Static burn-in I (method 1015)	4.2c 4.5.2	Req'd 4/			Not req'd	
3	Same as line 1		1	Δ			
4	Static burn-in II (method 1015)	4.2c 4.5.2	Req'd 4/		4.2c 4.5.2	Req'd 5/	
5	Same as line 1	4.2e	1*	Δ	4.2e	1*	Δ
6	Dynamic burn-in (method 1015)	4.2d 4.5.2	Req'd 4/			Not req'd	
7	Same as line 1	4.2e	1	Δ			
8	Final electrical parameters		1*, 2, 7*, 9			1*, 2, 7*, 9 5/	
9	Group A test requirements	4.4.1	1, 2, 3, 4, 7, 8, 9, 10, 11		4.4.1	1, 2, 3, 4, 7, 8, 9, 10, 11	
10	Group B test when using the method 5005 QCI option	4.4.2	1, 2, 3, 7, 8, 9, 10, 11	Δ			
11	Group C end-point electrical parameters	4.4.3	1, 2, 3, 7, 8, 9, 10, 11	Δ	4.4.3	1, 2	Δ
12	Group D end-point electrical parameters	4.4.4	1, 2, 3		4.4.4	1, 2	
13	Group E end-point electrical parameters	4.4.5	1, 7, 9		4.4.5	1, 7, 9	

<sup>1/</sup> Blank spaces indicate tests are not applicable.

<sup>2/</sup> \* indicates PDA applies to subgroups 1 and/or 7, as applicable (see 4.2.1).

<sup>3/</sup> Δ indicates delta limits and shall be required only on table I, subgroup 1, where specified, and the delta values shall be computed with reference to the previous interim electrical parameters (line 1).

<sup>4/</sup> On all class S lots, the device manufacturer shall maintain read-and-record data (as a minimum on disk) for burn-in electrical parameters (group A, subgroup 1). For preburn-in and interim electrical parameters, the read-and-record requirements are for delta measurements only.

<sup>5/</sup> The device manufacturer may, at his option, either complete subgroup 1 electrical parameter measurements, including delta measurements, within 96 hours after burn-in completion (removal of bias); or may complete subgroup 1 electrical measurements without delta measurements within 24 hours after burn-in completion (removal of bias). When the manufacturer elects to perform the subgroup 1 electrical parameter measurements without delta measurements, there is no requirement to perform the pre burn-in electrical tests (first interim electrical parameters test in table II).

TABLE III. Delta limits at 25°C.

Parameter <sup>1/</sup>	Device types	Limits
I <sub>CCZ</sub> , I <sub>CCH</sub> , I <sub>CCL</sub>	All	±100 nA

<sup>1/</sup> The above parameters shall be recorded before and after the required burn-in and life tests to determine deltas ( $\Delta$ ).

4.4.3 Group C inspection. Group C inspection shall be in accordance with table IV of MIL-PRF-38535 and as follows:

- a. End-point electrical parameters shall be as specified in table II herein. Delta limits shall apply only to subgroup 1 of group C inspection and shall consist of tests specified in table III herein.
- b. The steady-state life test duration, test condition, and test temperature, or approved alternatives shall be as specified in the device manufacturer's QM plan in accordance with MIL-PRF-38535. The burn-in test circuit shall be maintained under document control by the device manufacturer's Technology Review Board (TRB) in accordance with MIL-PRF-38535 and shall be made available to the acquiring or preparing activity upon request. The test circuit shall specify the inputs, outputs, biases, and power dissipation, as applicable, in accordance with the intent specified in test method 1005 of MIL-STD-883.

4.4.4 Group D inspection. Group D inspection shall be in accordance with table V of MIL-PRF-38535. End-point electrical parameters shall be as specified in table II herein.

4.4.5 Group E inspection. Group E inspection is required only for parts intended to be marked as radiation hardness assured (see 3.7 herein). RHA levels for device classes B and S shall be as specified in MIL-PRF-38535.

- a. End-point electrical parameters shall be as specified in table II herein.
- b. For device classes B and S, subgroups 1 and 2 in table V, method 5005 of MIL-STD-883 shall be tested as appropriate for device construction.
- c. When specified in the purchase order or contract, a copy of the RHA delta limits shall be supplied.
- d. RHA tests for device classes B and S for levels M, D, P, L, R, and F shall be performed through each level to determine at what levels the devices meet the RHA requirements. These RHA tests shall be performed for initial qualification and after design or process changes which may affect the RHA performance of the devices.
- e. Prior to irradiation, each selected sample shall be assembled in its qualified package. It shall pass the specified group A electrical parameters in table I for subgroups specified in table II herein.
- f. For device classes B and S, the devices shall be subjected to radiation hardness assured tests as specified in MIL-PRF-38535 for the RHA level being tested. All device classes must meet the postirradiation end-point electrical parameter limits as defined in table I at  $T_A = +25^\circ\text{C} \pm 5^\circ\text{C}$ , after exposure, to the subgroups specified in table II herein.

4.4.5.1 Total dose irradiation testing. Total dose irradiation testing shall be performed in accordance with MIL-STD-883, method 1019 condition A, and as specified herein. Prior to and during total dose irradiation characterization and testing, the devices for characterization shall be biased so that 50 percent are at inputs high and 50 percent are at inputs low, and the devices for testing shall be biased to the worst case condition established during characterization. Devices shall be biased as follows:

- a. Input tested high,  $V_{CC} = 5.5 \text{ V dc } +5\%$ ,  $R_{CC} = 10\Omega \pm 20\%$ ,  $V_{IN} = 5.0 \text{ V dc } +5\%$ ,  $R_{IN} = 1 \text{ k}\Omega \pm 20\%$ , and all outputs are open.
- b. Inputs tested low,  $V_{CC} = 5.5 \text{ V dc } +5\%$ ,  $R_{CC} = 10\Omega \pm 20\%$ ,  $V_{IN} = 0.0 \text{ V dc}$ ,  $R_{IN} = 1 \text{ k}\Omega \pm 20\%$ , and all outputs are open.

4.4.5.1.1 Accelerated aging test. Accelerated aging shall be performed on class B and S devices requiring an RHA level greater than 5k rads (Si). The post-anneal end point electrical parameter limits shall be as specified in table I herein and shall be the preirradiation end point electrical parameter limit at  $+25^\circ\text{C} \pm 5^\circ\text{C}$ . Testing shall be performed at initial qualification and after any design or process changes which may affect the RHA response of the device.

4.5 Methods of inspection. Methods of inspection shall be specified and as follows:

4.5.1 Voltage and current. Unless otherwise specified, all voltages given are referenced to the microcircuit GND terminal. Currents given are conventional current and positive when flowing into the referenced terminal.

4.5.2 Burn-in and life test cool down procedures. When the burn-in and life tests are completed and prior to removal of bias voltages, the devices under test (DUT) shall be cooled to within  $10^\circ\text{C}$  of their power stable condition at room temperature; then, electrical parameter end-point measurements shall be performed.

4.5.3 Quiescent supply current. When performing quiescent supply current measurements ( $I_{CC}$ ), the meter shall be placed so that all currents flow through the meter.

4.6 Data reporting. When specified in the purchase order or contract, a copy of the following data, as applicable, shall be supplied.

- a. Attributes data for all screening tests (see 4.2) and variables data for all static burn-in, dynamic burn-in, RHA tests and steady-state life tests (see 3.6)
- b. A copy of each radiograph.
- c. The technology conformance inspection (TCI) data (see 4.4).
- d. Parameter distribution data on parameters evaluated during burn-in (see 3.6).
- e. Final electrical parameters data (see 4.2e).
- f. RHA delta limits.



## 5. PACKAGING

5.1 Packaging. For acquisition purposes, the packaging requirements shall be as specified in the contract or order (see 6.2). When actual packaging of materiel is to be performed by DoD or in-house contractor personnel, these personnel need to contact the responsible packaging activity to ascertain packaging requirements. Packaging requirements are maintained by the Inventory Control Point's packaging activity within the Military Service or Defense Agency, or within the military service's system commands. Packaging data retrieval is available from the managing Military Department's or Defense Agency's automated packaging files, CD-ROM products, or by contacting the responsible packaging activity.

## 6. NOTES

(This section contains information of a general or explanatory nature that may be helpful, but is not mandatory.)

6.1 Intended use. Microcircuits conforming to this specification are intended for original equipment design application and logistic support of existing equipment.

6.2 Acquisition requirements. Acquisition documents should specify the following:

- a. Title, number, and date of the specification.
- b. PIN and compliance identifier, if applicable (see 1.2).
- c. Requirements for delivery of one copy of the conformance inspection data pertinent to the device inspection lot to be supplied with each shipment by the device manufacturer, if applicable.
- d. Requirements for certificate of compliance, if applicable.
- e. Requirements for notification of change of product or process to contracting activity in addition to notification to the qualifying activity, if applicable.
- f. Requirements for failure analysis (including required test condition of method 5003 of MIL-STD-883), corrective action and reporting of results, if applicable.
- g. Requirements for product assurance and radiation hardness assurance options.
- h. Requirements for special carriers, lead lengths, or lead forming, if applicable. These requirements should not affect the PIN. Unless otherwise specified, these requirements will not apply to direct purchase by or direct shipment to the Government.
- i. Requirements for "JAN" marking.
- j. Packaging requirements (see 5.1).

6.3 Superseding information. The requirements of MIL-M-38510 have been superseded to take advantage of the available Qualified Manufacturer Listing (QML) system provided by MIL-PRF-38535. Previous references to MIL-M-38510 in this document have been replaced by appropriate references to MIL-PRF-38535. All technical requirements now consist of this specification and MIL-PRF-38535. The MIL-M-38510 specification sheet number and PIN have been retained to avoid adversely impacting existing government logistics systems and contractors parts lists.

6.4 Qualification. With respect to products requiring qualification, awards will be made only for products which are, at the time of award of contract, qualified for inclusion in Qualified Manufacturers List QML-38535 whether or not such products have actually been so listed by that date. The attention of the contractors is called to these requirements, and manufacturers are urged to arrange to have the products that they propose to offer to the Federal Government tested for qualification in order that they may be eligible to be awarded contracts or purchase orders for the products covered by this specification. Information pertaining to qualification of products may be obtained from DSCC-VQ, 3990 E. Broad Street, Columbus, Ohio 43123-1199.

6.5 Abbreviations, symbols, and definitions. The abbreviations, symbols, and definitions used herein are defined in MIL-PRF-38535, MIL-HDBK-1331, and as follows:

GND .....	Ground zero voltage potential
O/V .....	Latch-up over-voltage
O/I .....	Latch-up over-current
I <sub>CC</sub> .....	Quiescent supply current
I <sub>IL</sub> .....	Input current low
I <sub>IH</sub> .....	Input current high
T <sub>C</sub> .....	Case temperature
T <sub>A</sub> .....	Ambient temperature
V <sub>CC</sub> .....	Positive supply voltage
C <sub>IN</sub> .....	Input terminal-to-GND capacitance
C <sub>PD</sub> .....	Power dissipation capacitance
V <sub>IC</sub> .....	Input clamp voltage
V <sub>T-</sub> .....	Negative threshold voltage
V <sub>T+</sub> .....	Positive threshold voltage
V <sub>H</sub> .....	Hysteresis voltage
V <sub>GB</sub> .....	Ground bounce voltage
t <sub>w</sub> .....	Trigger duration (width)

6.6 Logistic support. Lead materials and finishes (see 3.5) are interchangeable. Unless otherwise specified, microcircuits acquired for Government logistic support will be acquired to device class S for National Aeronautics and Space Administration or class B for Department of Defense (see 1.2.2), lead material and finish A (see 3.5). Longer length leads and lead forming shall not affect the part number.

6.7 Substitutability. The cross-reference information below is presented for the convenience of users. Microcircuits covered by this specification will functionally replace the listed generic-industry type. Generic-industry microcircuit types may not have equivalent operational performance characteristics across military temperature ranges, post irradiation performance or reliability factors equivalent to MIL-M-38510 device types and may have slight physical variations in relation to case size. The presence of this information should not be deemed as permitting substitution of generic-industry types for MIL-M-38510 types or as a waiver of any of the provisions of MIL-PRF-38535.

Military device type	Generic-industry type
01	54AC04
02	54AC14
03	54AC240
04	54AC241
05	54AC244
06 <u>1/</u>	54AC365
07 <u>1/</u>	54AC366
08 <u>1/</u>	54AC367
09 <u>1/</u>	54AC368
10	54AC540
11	54AC541

1/ Devices 06 through 09 as yet have not been characterized.

6.8 Changes from previous. Marginal notations are not used in this revision to identify changes with respect to the previous issue due to the extensiveness of changes.

CONCLUDING MATERIAL

Custodians:

Army - CR  
Navy - EC  
Air Force - 11  
NASA - NA  
DLA - CC

Preparing activity:

DLA - CC

Review activities:

Army - MI, SM  
Navy - AS, CG, MC, SH, TD  
Air Force 03, 19, 99

(Project 5962-1985)