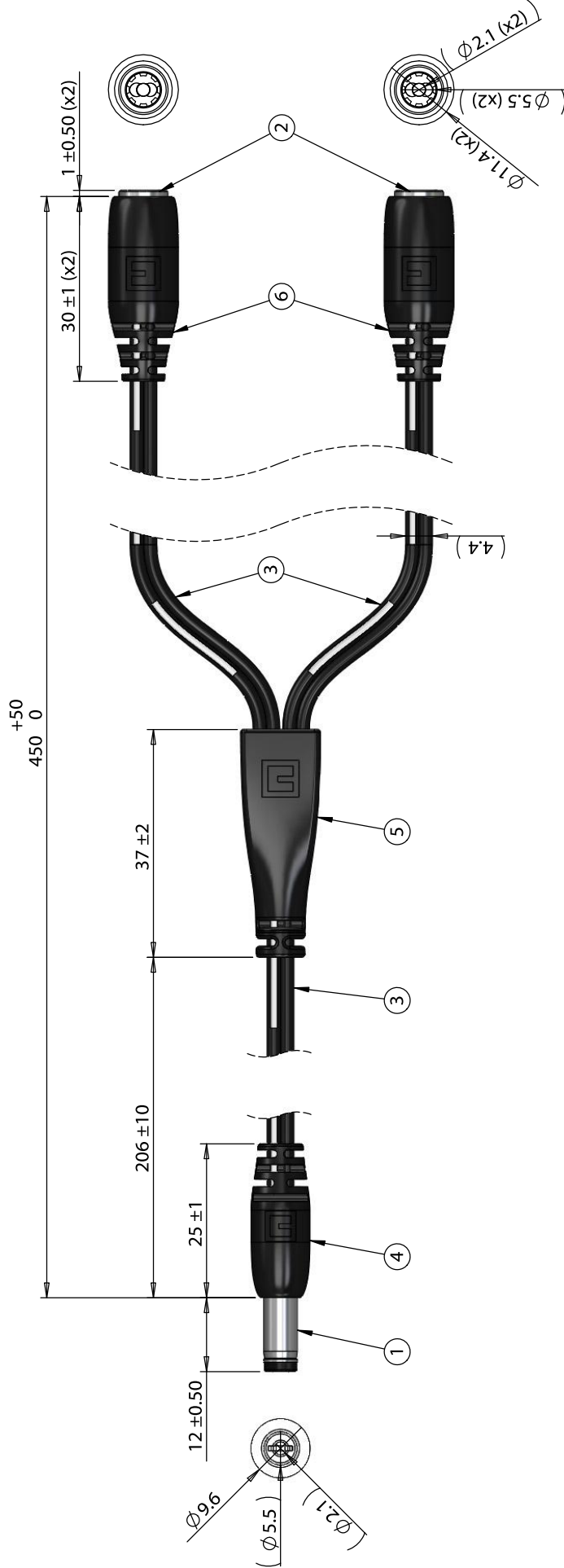


ITEM NO.	PART NUMBER	DESCRIPTION	QTY.	COMPONENT NOTES
1	50-00024	Connector, dc plug, 5.5x2.1xL23 mm, molding style, spring contacts	1	
2	50-00025	Connector, dc jack, 5.5x2.1xL17.4 mm, molding style	2	
3	30-00007	Wire, 2C BC, 18 AWG, UL2468, 300V, 80C, 4.4 mm, VW-1, PVC, 87A	3	
4	24-00003	Overmold, PVC	1	black
5	24-00195	Overmold, splitter, Ø 8.0 mm by 10.0x13.0 mm	1	black
6	24-00004	Overmold, PVC	2	black



Wiring Diagram			
50-00024	wire color	50-00025	
center	black with stripe	center	
sleeve	black	sleeve	

**Notes:**  
Functionally equivalent components may be substituted

Revision:	Date:	Description:	Prepared:	Notes:
A	4/10/2018	Initial release	<p><b>JP</b> Digitally signed by JP Date: 2018.04.11 11:28:43 -0700</p> <p><b>AW</b> Digitally signed by AW Date: 2018.04.11 15:06:58 -0700</p> <p>Dimensions are in millimeters. Tolerances: X: ± 0.5 mm X.X: ± 0.3 mm X.XX: ± 0.05 mm</p>	<p>RoHS compliant</p> <p>Function test: no open, no short circuit, no intermittent</p> <p>Description: Cable, 450 mm, 5.5x2.1x12 mm 50-00024 dc plug to y-split to 2x 5.5x2.1 mm 50-00025 dc jack, 18 AWG</p>
			Size: Part number: A 10-02740	
			Scale: 1:1	Sheet 1 of 1