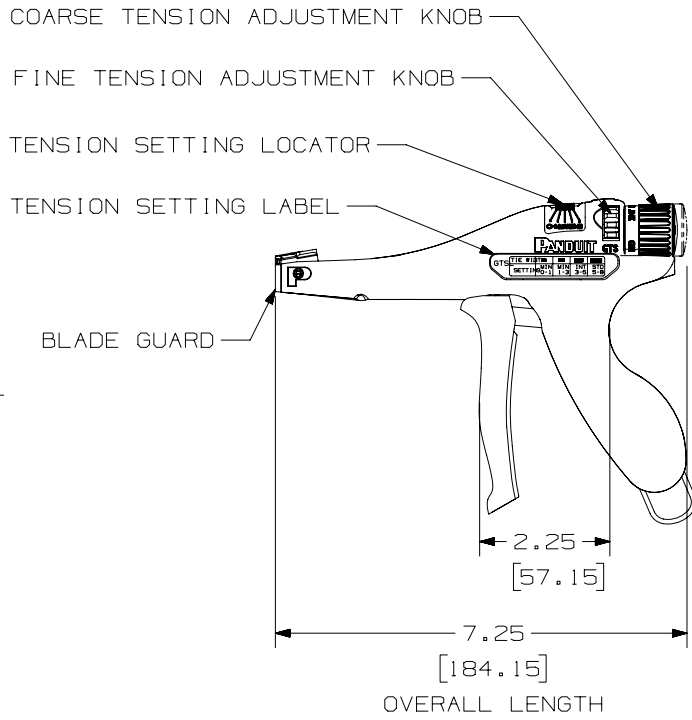
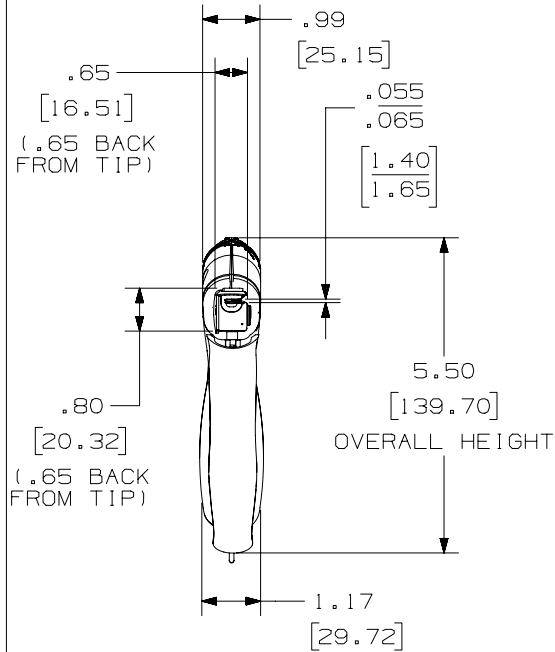


THIS COPY IS PROVIDED ON A RESTRICTED BASIS AND IS NOT TO BE USED IN ANY WAY DETRIMENTAL TO THE INTERESTS OF PANDUIT CORP.

PANDUIT TOOL NO.	INTALLS * THE FOLLOWING CABLE TIE CROSS-SECTIONS **	WEIGHT/PC	
		OZ	GRAMS
GTSL	SM,M,I,S	8.8	249



NOTES, UNLESS OTHERWISE SPECIFIED:

* THIS TOOL TIGHTENS CABLE TIES AND CUTS OFF EXCESS PORTION WHEN PRESET TENSION IS ATTAINED.

** CABLE TIE CROSS-SECTION CODE:
SM=SUBMINIATURE, M= MINIATURE
I= INTERMEDIATE, S= STANDARD.

SPECIFICATIONS SHOWN IN PARENTHESIS ARE METRIC.

REFERENCE:

KGTSBLD: REPLACEMENT BLADE KIT.
KGTSTL: TENSION LOCKING KIT.

WB24468D01: BLADE GUARD FOR *Contour-TY*

										CAD FILENAME/LAYERS R24915BA_DS_WB24915B01_00A	
										PANDUIT CORP TINLEY PARK, ILLINOIS	
										CD, GTSL	
										UNLESS OTHERWISE SPECIFIED, DIMENSIONAL TOLERANCES ARE: (.X) ± -- (.XXX) ± -- (.XX) ± -- ANGLES ± --	
										UNLESS OTHERWISE SPECIFIED, ALL DIMENSIONS ARE GIVEN IN INCHES, THIRD ANGLE PROJECTION	
										SCALE 1/2=1	
00	08-26-04	DCS	MBR	RELEASED	4140 -- DLWE		DATE 08-26-04		DRAWING NO. WB24915B01		CHG B
REV	DATE	BY	CHK	DESCRIPTION	ECN	R	CUST	SUP	CHK'D MBR	SIZE	