

Navigate

Internet of Things (IoT)

FPGA Development Boards & Kits

Embedded Processing

Pmod Modules & Connectors

USB Scopes, Instruments & Circuits

Software

JTAG Programmers & FPGA Programming Solutions

Robots, Parts Kits & Projects

Accessories

NI Academic Products

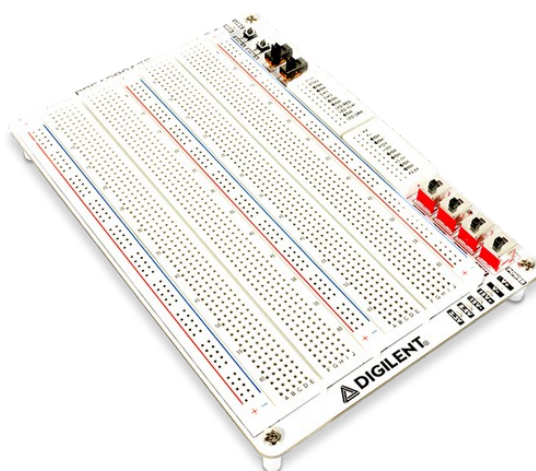
LabVIEW MakerHub

By Product Status

Academic Pricing

Clearance

Home / USB Scopes, Instruments & Circuits / Breadboard Canvas



SKU:  
410-385

Quantity:

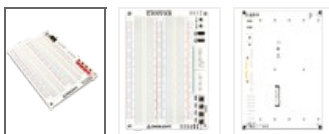
ADD TO CART

CHECK DISTRIBUTOR STOCK

WISHLIST

Share

Like Sign Up to see what your friends like.



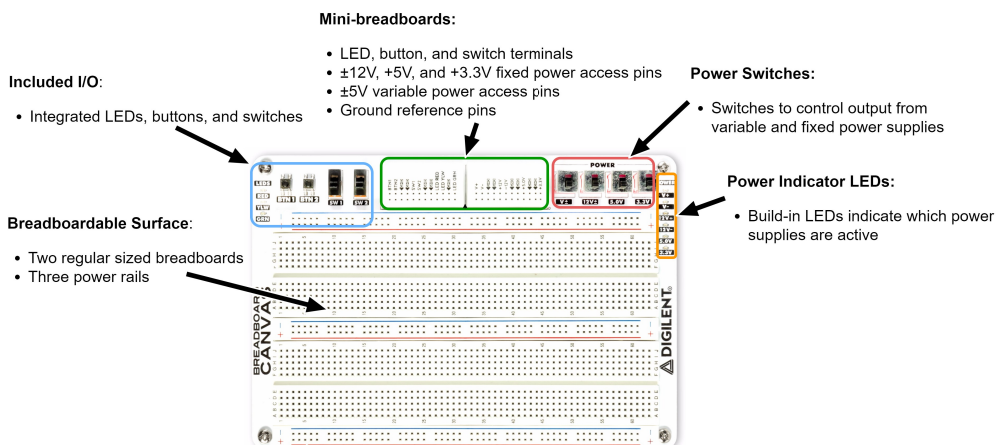
Product Description

The Breadboard Canvas provides a replaceable physical interface for the Analog Discovery Studio. The large breadboardable surface features two regular sized solderless breadboards appropriate for medium to large circuits. Two small breadboards provide connection to the six available power supplies (3.3V, 5V, ±12V, and ± variable), and connections to the included I/O. Two switches, LEDs, and buttons have been included on the Breadboard Canvas to provide these typically hard to breadboard components with an easy-to-use interface. Each of the power supplies can be switched on and off via slide switches to make powering off and on circuits as convenient as possible. Power supply status is indicated by the power indicator LEDs. This is the same Breadboard Canvas that is included with the Analog Discovery Studio.

Support Materials

Datasheet

Get Academic Pricing



Product Reviews



Customers also viewed



### Related Products



Analog Discovery Studio: A portable circuits laboratory for every student



Analog Discovery Studio MTE Cables: Male Terminated MTE Cables for Analog Discovery Studio

Newsletter signup

Name

Email

SUBMIT

#### Our Partners

Xilinx University Program- XUP  
Technology Partners  
Distributors

#### Help

Technical Support  
Forum  
Reference Wiki  
Contact Us

#### Customer Info

Videos  
Events  
FAQ  
Store Info

#### Company Info

About Us  
Press Releases  
Shipping & Returns  
Legal  
Jobs

#### Connect with us



Digilent Inc.  
1300 Henley Ct #3, Pullman, WA 99163