

AMP Power Series 175 Connectors

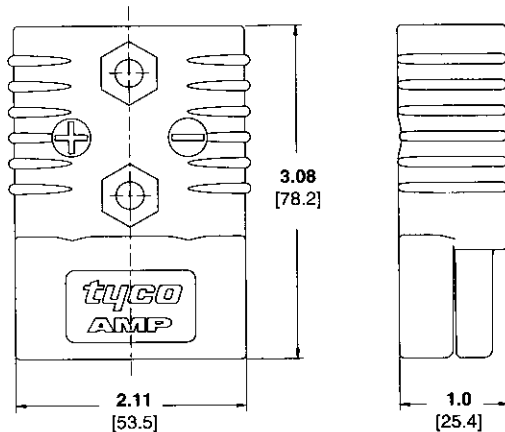
(2-Pole Battery)

STANDARDS & SPECS

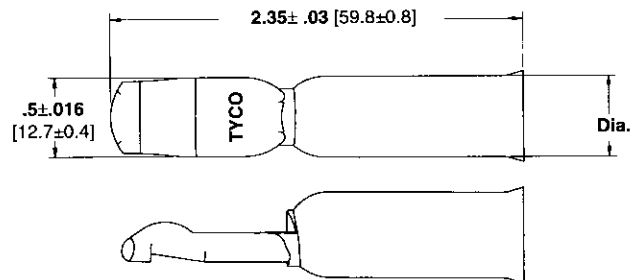
- Component Recognition by UL to US and Canadian Standards, File No. E2B476
- Design Objectives: 108-2154

PRODUCT DIMENSIONS

2-Pole Housing

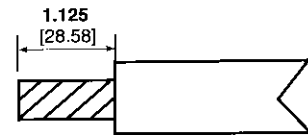


Contact



- Dia.** .516 ± .005 [13.1 ± 0.13] for 1/0 AWG
 .512 ± .005 [13.0 ± 0.13] for 1 AWG
 .512 ± .005 [13.0 ± 0.13] for 2 AWG
 .512 ± .005 [13.0 ± 0.13] for 4 AWG

Wire Strip Length



PRODUCT OFFERING

Series 175 A

Housing Color	Housing/Springs Part Number	Connector Kit Part Numbers ^{1,2}			
		4 AWG	2 AWG	1 AWG	1/0 AWG
Yellow	1604037-1	1604044-1	1604043-1	1604045-1	1604042-1
Orange	1604037-2	1604044-2	1604043-2	1604045-2	1604042-2
Red	1604037-3	1604044-3	1604043-3	1604045-3	1604042-3
Gray	1604037-4	1604044-4	1604043-4	1604045-4	1604042-4
Blue	1604037-5	1604044-5	1604043-5	1604045-5	1604042-5
Black ³	1604037-6	1604044-6	1604043-6	1604045-6	1604042-6

¹ 1 Housing and 2 contacts.

² Housings and contacts are bulk packaged.

³ Black housing mates with any other housing.

Contacts (cold-headed)

Part Number	Wire Size
1604040-1	4 AWG
1604039-1	2 AWG
1604041-1	1 AWG
1604038-1	1/0 AWG

Voltage Key Color Code

Voltage	Recommended Color
12 V	Yellow
18 V	Orange
24 V	Red
36 V	Gray
48 V	Blue
80V	Black

¹ Color code given for various voltages is only a suggestion, other codes and keys available upon request.

Accessories

Part Number	Description
Reducing Bushings	
1604121-1	10 to 1/0 AWG
1604121-2	6 to 1/0 AWG
1604121-5	4 to 1/0 AWG
1604121-4	2 to 1/0 AWG
1604121-3	1 to 1/0 AWG

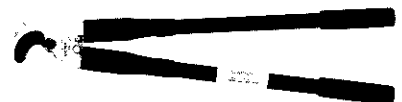
Wire Insulation Strip Tool

Part Number 606700-1



Wire Cutter

Part Number 605742-1



Crimp Tooling

Description	Source	Die Set	Locator
500 Series Pneumatic Tool	PICO Corp. ¹	514DA-10023 ^{2,3}	10023-1 ^{2,3}
400 Series Pneumatic Tool	PICO Corp. ¹	414DA-4581 ³	4581-1 ³

¹ WWW.PICOTOOLS.COM

² Recommended tool.

³ All wire sizes.