

1

2

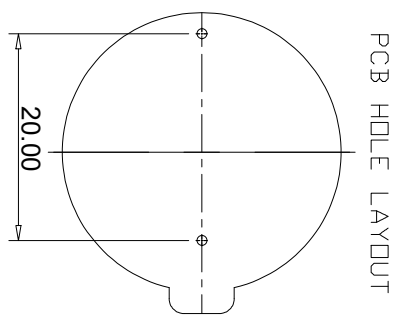
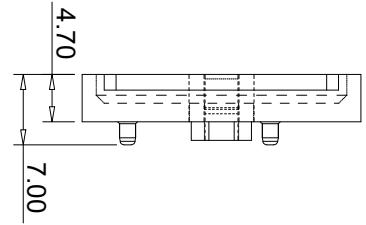
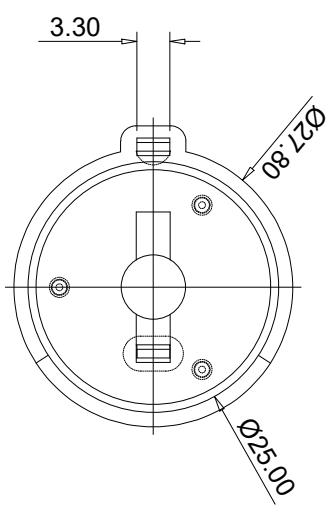
3

4

5

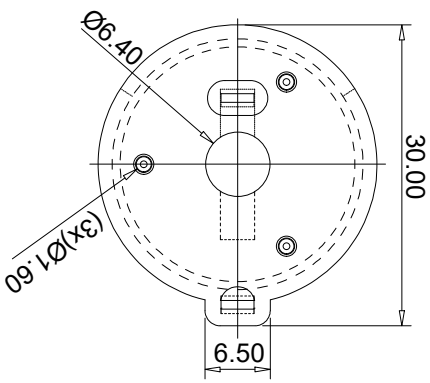
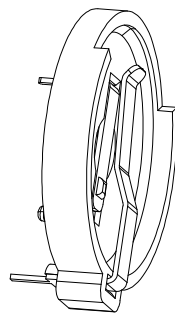
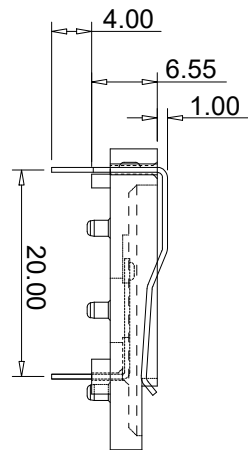
6

7



NOTE:

- 1. MATERIAL
 - 1.1 Housing: PBT+GF UL94V-0 Black
 - 1.2 Contact: C2680 Au or Tin over Nickel
 - 2. ELECTRIC
 - 2.1 Contact Resistance: 30 Milliohms Max.
 - 2.2 Insulation Resistance: 1000 Mega Ohms Min.
 - 2.3 Dielectric Voltage: 500V AC one Sec Level.
 - 3. Operating Temperature: -55°C To +105°C
 - 4. Packing: Tray
- Order Code: A-BAT-CH-CA-EG-xTP1
- G: Gold Flash
 Z: Tin



A

B

C

D

E

F

G

H

PCB HOLE LAYOUT

RoHS compliant
unit:mm

| Scale | Free |
|-----------|-------|
| TOLERANCE | |
| X. | ±0.35 |
| .X | ±0.25 |
| .XX | ±0.20 |
| .XXX | ±0.15 |
| DIM TOL | |
| Angle TOL | |

| Id. | modification | Date | Name |
|-----|-------------------|------------|--------|
| ① | Update dimensions | 12.07.2022 | Daniel |
| ② | Drawn | 12.20.2021 | Peter |

| Date | Name |
|------------|--------|
| 12.20.2021 | Peter |
| 12.07.2022 | Daniel |

Description: Coin Cell Holders
CR2430 Type

ASSMANN WSW-NO.
A-BAT-CH-CA-EG-xTP1

ASSMANN
components

Drawing-No. ASS 9167 CO

Customer-No.

rev01

SHEET 1 / 1

1

2

3

4

5

6

7

H