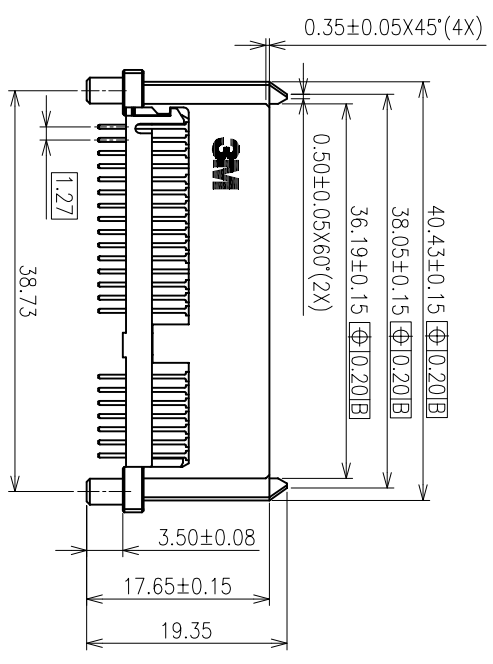
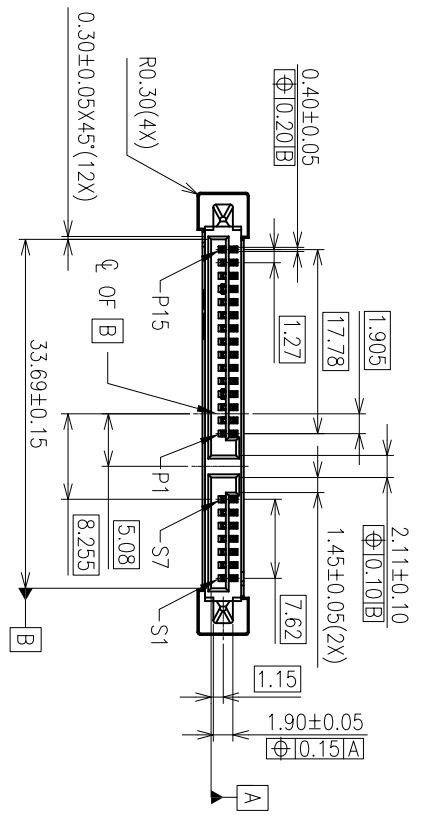


3M™ Serial Advanced Technology Attachment (SATA) 22P Connector
Vertical, Elevated Pressfit and Through-Hole Receptacle, 5622 Series

REVISION RECORD		
REV.	ECR/ECN/ECO NUMBER	DATE
C	ECO-0040594	07/05/12



- NOTES:
1. RoHS COMPLIANT. SEE REGULATORY INFORMATION APPENDIX IN "RoHS COMPLIANCE" SECTION AT [WWW.3M.COM/INTERCONNECT](http://www.3m.com/interconnect) (E1 & C1 APPLY)
 2. MEETS SATA SPECIFICATION
 3. PHYSICAL:
HOUSING: HIGH TEMPERATURE THERMOPLASTIC, BLACK, UL94V-0
CONTACT: COPPER ALLOY
 4. ELECTRICAL:
CURRENT RATING: POWER PIN: 1.5A
INSULATION RESISTANCE: 10¹² MΩ min.
WITHSTANDING VOLTAGE: 500V_{AC} AT SEA LEVEL
 5. ENVIRONMENTAL:
OPERATING TEMPERATURE RANGE: -40°C TO +85°C
 6. UL FILE NO. E689080
 7. ORDERING INFORMATION:

5622-XXXX-ML

TYPE: _____
2=VERTICAL RECEPTACLE

TERM TYPE: _____
1=PLATED THROUGH-HOLE
6=PRESSFIT

OPTIONS: _____
0=MOUNTING FLANGE W/POB RETENTION CLIP

PLATING:
ML: 30U" MIN. Au AT MATING AREA
: 50U" MIN. Ni UNDERPLATE
: 100U" MIN. Sn AT TERMINATION AREA

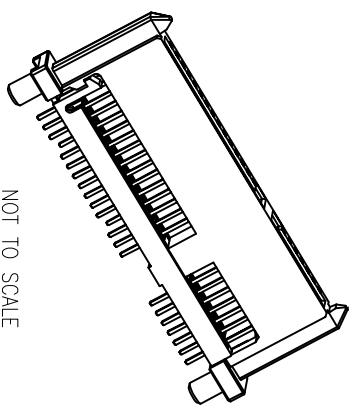
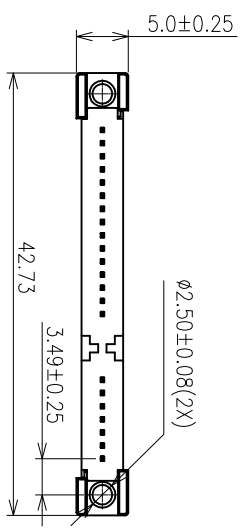
BODY SHAPE:
3=VERTICAL W/EXTENDED BODY 2.85MM

Visit <http://www.3Mconnectors.com>

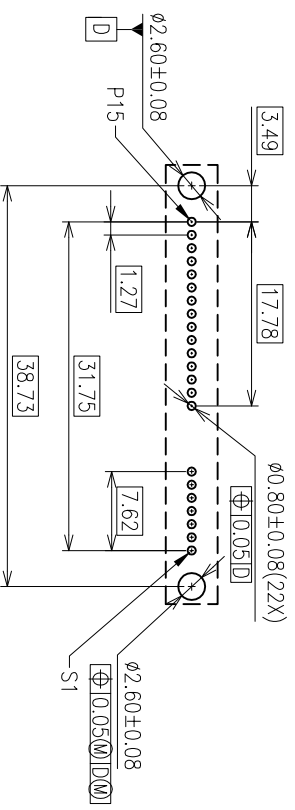
UNIT: MM	DFLG	OH KIM CHYE	DATE	07/05/12	 3M APAC INNOVATION CENTRE	DIVISION	ESD	STATUS	RELEASED
GEN. TOLERANCES	CHKD	QIAO YUN LONG	DATE	07/05/12		MODEL	_____	_____	_____
LINEAR 0.0 ±0.25 0.00 ±0.15 0.000 ±0.05	APPVL	ALAN ANG	DATE	07/05/12	TITLE	Serial Advanced Technology Attachment (SATA) 22P Connector Vertical, Elevated Pressfit and Through-hole Receptacle			
ANGLE=±± ±.3°	INTERPRET	PER ASME Y14.5M-1994	SCALE	: NTS	SIZE	DRAWING NO. 78-5100-2202-9		REV	C
PROJECTION	CRITICAL DIMENSION:	▲	DET LIST	<input type="checkbox"/> YES <input type="checkbox"/> NO	SHT	1 of 4			

3M Serial Advanced Technology Attachment (SATA) 22P Connector
Vertical, Elevated Pressfit and Through-Hole Receptacle, 5622 Series

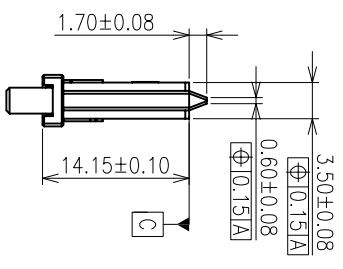
REVISION RECORD		
REV.	ECR/EGN/ECO NUMBER	DATE
—	—	—
— REFER TO SHIT 1 of 2 —		



NOT TO SCALE
VERTICAL THROUGH-HOLE ELEVATED



RECOMMENDED PCB LAYOUT
PCB THICKNESS 1.50 TO 2.00

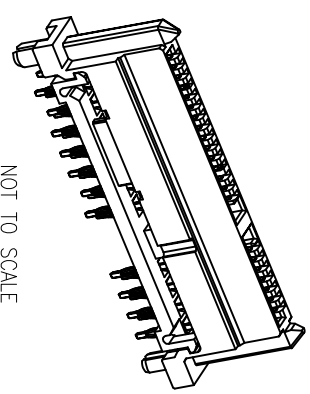
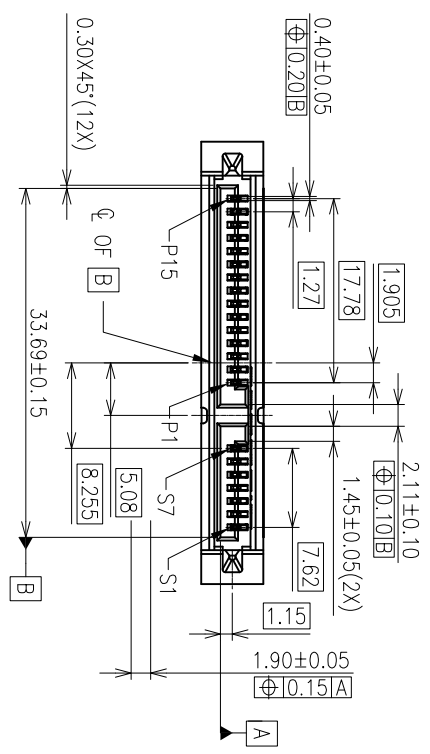


UNIT: MM	DFG	OH KIM CHYE	DATE	07/05/12
GEN. TOLERANCES	CHKD	QIAO YUN LONG	DATE	07/05/12
LINEAR 0.0 ±0.25 0.0 ±0.15 0.00 ±0.05	APPVL	ALAN ANG	DATE	07/05/12
ANGLE=±± ±3°	THIS DOCUMENT CONTAINS INFORMATION WHICH IS PROPRIETARY TO 3M COMPANY. NO REPRODUCTION OR PUBLICATION OF THIS DOCUMENT, IN WHOLE OR IN PART, SHALL BE MADE WITHOUT AUTHORIZATION FROM 3M. ©3M 2012. ALL RIGHTS RESERVED.			
PROJECTION	INTERPRET PER ASME Y14.5M-1994			
CRITICAL DIMENSION: ▲				
SCALE: NTS	SIZE	DRAWING NO.	TITLE	
	A3	78-5100-2202-9	Serial Advanced Technology Attachment (SATA) 22P Connector Vertical, Elevated Pressfit and Through-hole Receptacle	
DET LIST	YES	NO	DIVISION	STATUS
	<input type="checkbox"/>	<input type="checkbox"/>	ESD	RELEASED
			MODEL	
				REV
				C

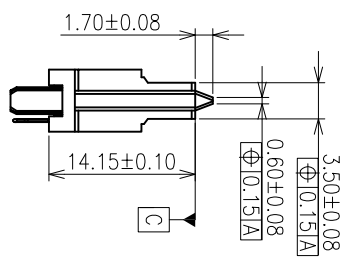
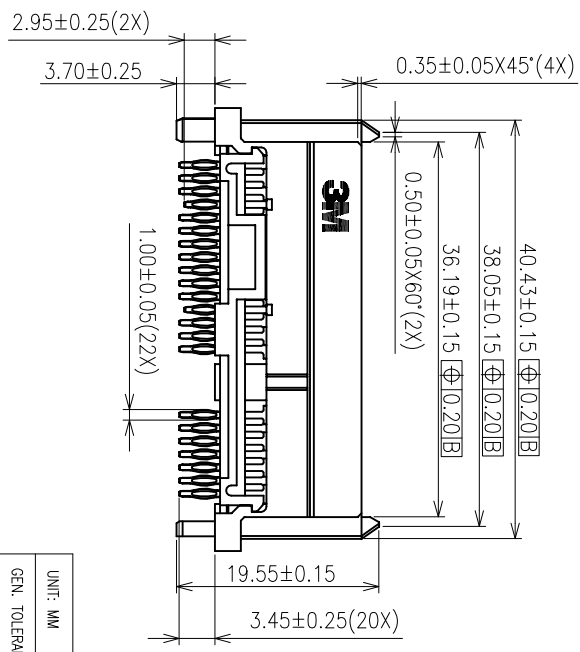
Visit <http://www.3Mconnectors.com>

3M Serial Advanced Technology Attachment (SATA) 22P Connector
 Vertical, Elevated Pressfit and Through-Hole Receptacle, 5622 Series

REVISION RECORD		
REV.	ECR/ECN/ECO NUMBER	DATE
—	—	—
REFER TO SH1 1 of 2		



NOT TO SCALE
 VERTICAL PRESSFIT ELEVATED

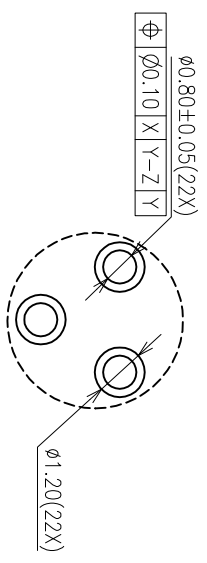
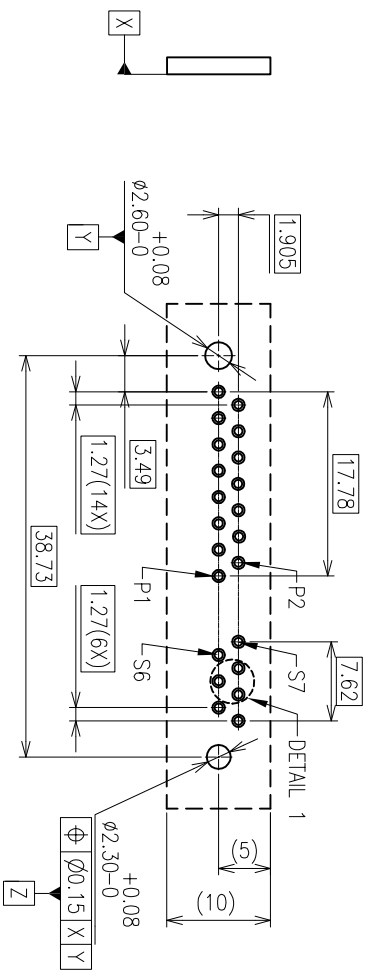
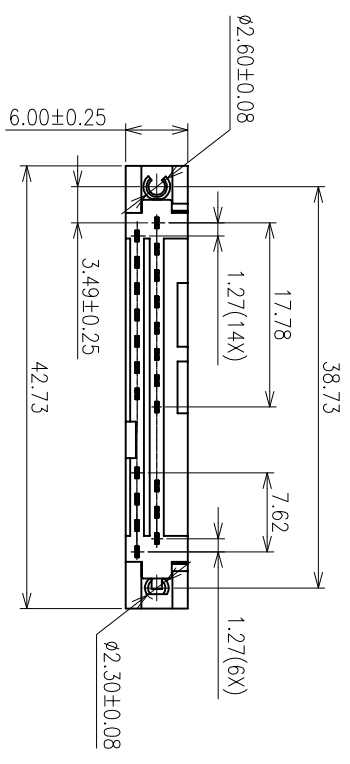


Visit <http://www.3Mconnectors.com>

UNIT: MM	DFLG	OH KIM CHYE	DATE	07/05/12	 APAC INNOVATION CENTRE	DIVISION	ESD	STATUS	RELEASED
GEN. TOLERANCES	CHKD	QIAO YUN LONG	DATE	07/05/12		MODEL	—	—	—
LINEAR 0.0 ±0.25 .00 ±0.15 .000 ±0.05	APPVL	ALAN ANG	DATE	07/05/12	TITLE	Serial Advanced Technology Attachment (SATA) 22P Connector			
ANGLE=±± ±.3	THIS DOCUMENT CONTAINS INFORMATION WHICH IS PROPRIETARY TO 3M COMPANY. NO REPRODUCTION OR PUBLICATION OF THIS DOCUMENT, IN WHOLE OR IN PART, SHALL BE MADE WITHOUT AUTHORIZATION FROM 3M. ©3M 2012. ALL RIGHTS RESERVED.				SIZE	DRAWING NO. 78-5100-2202-9		REV	C
PROJECTION	INTERPRET PER ASME Y14.5M-1994				SCALE: NTS	DET LIST	<input type="checkbox"/> YES <input type="checkbox"/> NO	SHT	3 of 4
CRITICAL DIMENSION: ▲									

3M Serial Advanced Technology Attachment (SATA) 22P Connector
 Vertical, Elevated Pressfit and Through-Hole Receptacle, 5622 Series

REVISION RECORD		
REV.	ECR/ECN/ECO NUMBER	DATE
—	—	—
— REFER TO SH1 1 of 2 —		



RECOMMENDED PCB LAYOUT
 PCB THICKNESS 1.50 TO 2.00

Visit <http://www.3Mconnectors.com>

UNIT: MM	DFIG	OH KIM CHYE	DATE	07/05/12
GEN. TOLERANCES	CHKD	QIAO YUN LONG	DATE	07/05/12
LINEAR 0.0 ±0.25 0.0 ±0.15 .000 ±0.05	APPVL	ALAN ANG	DATE	07/05/12
ANGLE=±± ±.3°	THIS DOCUMENT CONTAINS INFORMATION WHICH IS PROPRIETARY TO 3M COMPANY. NO REPRODUCTION OR PUBLICATION OF THIS DOCUMENT, IN WHOLE OR IN PART, SHALL BE MADE WITHOUT AUTHORIZATION FROM 3M. ©3M 2012. ALL RIGHTS RESERVED.			
PROJECTION	INTERPRET PER ASME Y14.5M-1994			
CRITICAL DIMENSION: ▲				
SIZE	DRAWING NO.	78-5100-2202-9	TITLE	Serial Advanced Technology Attachment (SATA) 22P Connector Vertical, Elevated Pressfit and Through-hole Receptacle
SCALE: NTS	DIVISION	ESD	STATUS	RELEASED
DET LIST	MODEL	—	REV	C