

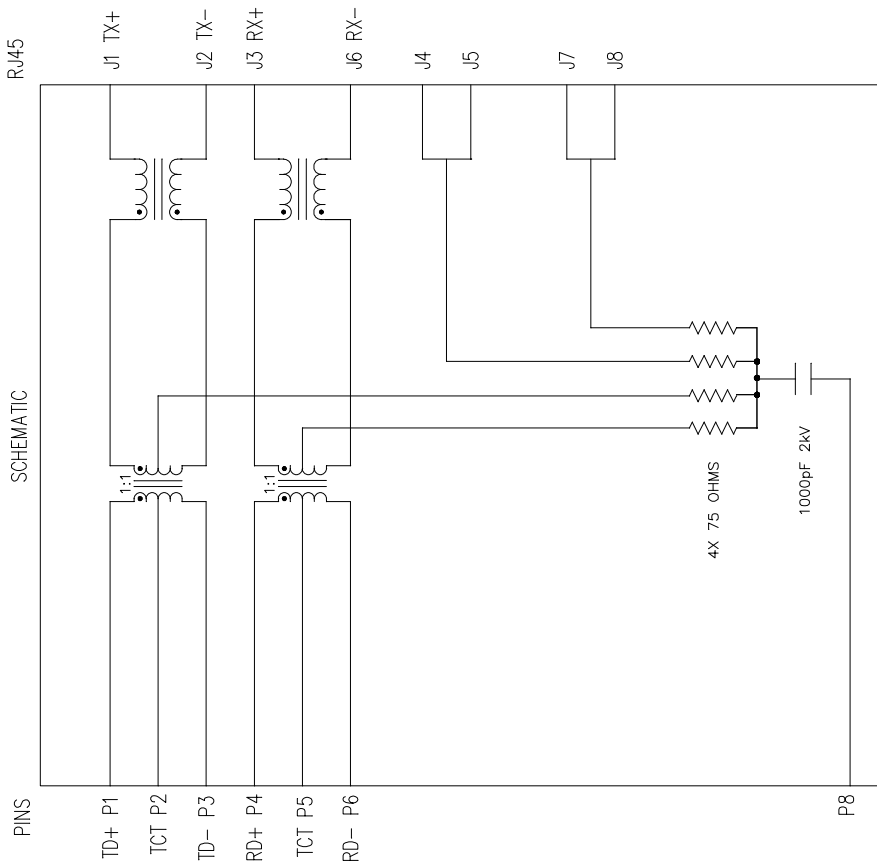
THE INFORMATION CONTAINED HEREIN IS CONSIDERED "PROPRIETARY" TO BEL FUSE INC. AND SHALL NOT BE COPIED, REPRODUCED OR DISCLOSED WITHOUT THE WRITTEN APPROVAL OF BEL FUSE INC.



ELECTRICAL CHARACTERISTICS @ 25°C

- 1.0 TURNS RATIO: (P6-P5-P4) : (J6-J3) : 1CT ± 3%
(P3-P2-P1) : (J2-J1) : 1CT ± 3%
- 2.0 INDUCTANCE: (P6-P4) : 350uH MIN. @ 0.1V, 100KHz, 8mA DC Bias
(P3-P1) : 350uH MIN. @ 0.1V, 100KHz, 8mA DC Bias
- 3.0 LEAKAGE INDUCTANCE: P6-P4 (WITH J6 AND J3 SHORT) : 0.3uH MAX. @ 1MHz
P3-P1 (WITH J2 AND J1 SHORT) : 0.3uH MAX. @ 1MHz
- 4.0 INTERWINDING CAPACITANCE: (P6,P5,P4) TO (J6,J3) : 30pF MAX @ 1MHz
(P3,P2,P1) TO (J2,J1) : 30pF MAX. @ 1MHz
- 5.0 DC RESISTANCE: (J6-J3)=(J2-J1) : 1.2 ohms Max.
- 6.0 RETURN LOSS: 1MHz TO 30MHz : 18dB MIN.
60MHz TO 80MHz : 12dB MIN.
- NOTE: 100 OHMS CONNECTED TO (J2-J1) OR (J6-J3).
- 7.0 DIELECTRIC WITHSTAND: (J1, J2) TO (P1, P3) : 1500 Vrms
(J3, J6) TO (P4,P6) : 1500 Vrms
- 8.0 INSERTION LOSS: RS=RL=100 ohms : 1.1 dB TYP
100KHz TO 100MHz
- 9.0 RISE TIME: RS=100 OHMS AND RL = 100 OHMS : 3.0 nS MAX
OUTPUT VOLTAGE = 1 V peak : 3.0 nS MAX
PULSE WIDTH= 112nS
- 10.0 CROSS TALK: 1MHz TO 100MHz : 40 dB TYP
- 11.0 COMMON TO COMMON MODE ATTENUATION: 30MHz TO 100MHz : 35dB TYP

PINS SCHEMATIC

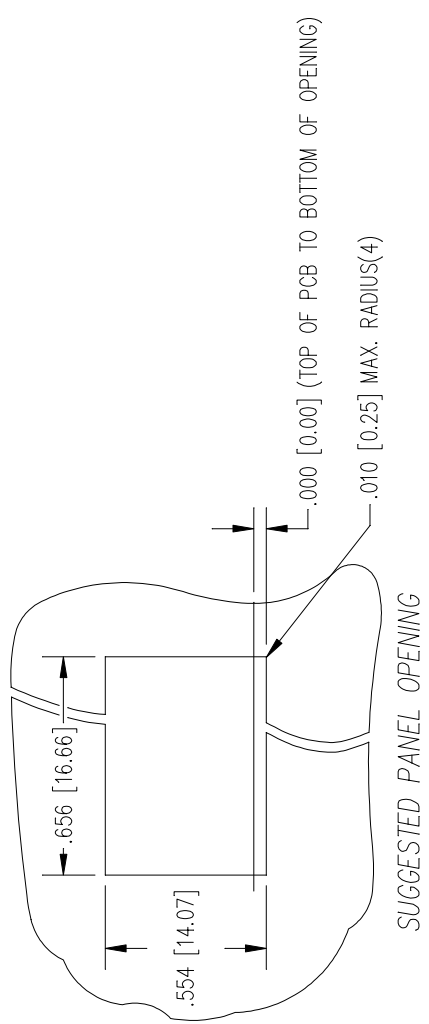
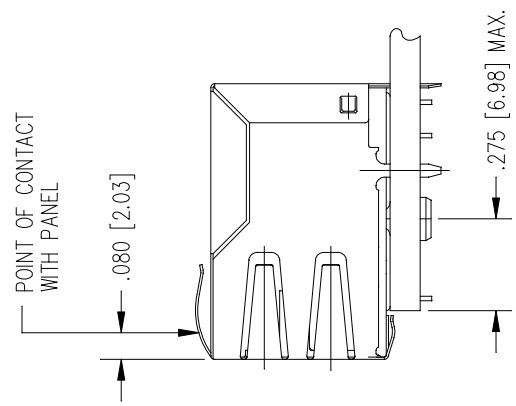


NOTES

1.0 PINS WITHOUT ELECTRICAL CONNECTION ARE OMITTED.

| | | | | | | | | |
|----------------------------------|--|-------------------------|---|--|---|---|---|--|
| ORIGINATED BY Bain Liu | | DATE 12-15-08 | TITLE MagJack® 10/100BT TAB DOWN, SHIELDED | | PART NO. / DRAWING NO. SI-60001-F | STANDARD DIM. TOL. IN INCH .X .XX .XXX | [] METRIC DIM. AS REFERENCE UNIT : INCH [mm] SCALE : N/A | REV. : A SIZE : A4 PAGE : 1 |
| DRAWN BY LW Yuan | | DATE 12-15-08 | | | FILE NAME SI-60001-F.DWG | ±0.005 | | |

THE INFORMATION CONTAINED HEREIN IS CONSIDERED "PROPRIETARY" TO BEL FUSE INC. AND SHALL NOT BE COPIED, REPRODUCED OR DISCLOSED WITHOUT THE WRITTEN APPROVAL OF BEL FUSE INC.



1. THE SUGGESTED PANEL OPENING IS INTENDED TO GIVE THE USER THE ABILITY TO HAVE REASONABLE JACK / PANEL CLEARANCES YET MAINTAIN RELIABLE GROUNDING CAPABILITY.
2. ALL TOLERANCES NOT OTHERWISE SPECIFIED TO BE ± 0.005 [0.13]

| | |
|----------------------------------|-------------------------|
| ORIGINATED BY Bain Liu | DATE 12-15-08 |
| DRAWN BY LW Yuan | DATE 12-15-08 |

| | |
|---|--|
| TITLE MagJack® 10/100BT TAB DOWN, SHIELDED | |
|---|--|

| | |
|---|---|
| PART NO. / DRAWING NO. SI-60001-F | STANDARD DIM. TOL. IN INCH .X .XX .XXX ±0.005 |
| FILE NAME SI-60001-F.DWG | |

| | |
|-------------------------------------|------------------|
| [] METRIC DIM. AS REFERENCE | |
| UNIT : INCH [mm] | REV. : A |
| SCALE : N/A | SIZE : A4 |
| | PAGE : 3 |

