

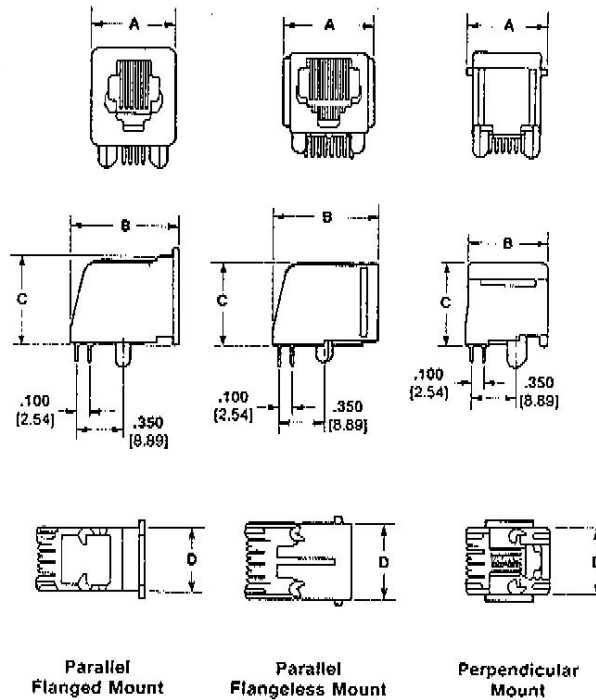
0720-01800

**Printed Circuit Board  
Modular Jack**

**Dimensioning:**  
All dimensions in inches and millimetres.  
Values in brackets are metric equivalents.

**Features**

- Meets or exceeds FCC rules and regulations and REA PE-76
- Meets 1000 volt dielectric requirement
- Meets Telephone USOC requirements
- Designed for direct mounting on pc boards
- Designed for ease of soldering and board cleaning
- Selectively gold plated contacts for lower cost
- Available in three housing versions — parallel flanged, parallel flangeless and perpendicular mount
- All versions are black flame retardant polyester material
- Listed by Underwriters Laboratories Inc., File E-81956



**Specifications**

**Electrical:**

- Dielectric Withstanding Voltage** — 1000 VAC, RMS, 60 Hz, 1 min.
- Insulation Resistance** — 500 megohms min.
- Surge Test** — to 1000 volts

**Mechanical:**

**Pc Board Retention** — Will not dislodge from pc board when subject to 1 lb [4 N] pull before soldering and 20 lbs [89 N] pull after soldering

**Durability** — 500 mating cycles

Description	No. of Pos.	No. of Contacts	Dimensions				Part Numbers		USOC	
			A	B	C	D	Jacks	Mate w/Plug		
Parallel Flanged Mount* (side entry)	4	4	.570 14.48	.810 20.57	.680 17.27	.440 11.18	520241-2	641334	—	
	6	4	.650 16.51	.810 20.57	.680 17.27	.520 13.21	520242-2	641335	RJ11C, RJ11W, RJ13C, RJ13W, RJ14C, RJ14W	
	6	6	.650 16.51	.810 20.57	.680 17.27	.520 13.21	520242-3	641337	RJ12C, RJ12W	
	8	6	.730 18.54	.810 20.57	.680 17.27	.600 15.24	520243-3	641337 641338	—	
	8	8	.730 18.54	.810 20.57	.680 17.27	.600 15.24	520243-4	641338	—	
	8K	6	.730 18.54	.810 20.57	.680 17.27	.600 15.24	520244-3	641339 641337	—	
	8K	8	.730 18.54	.810 20.57	.680 17.27	.600 15.24	520244-4	641339	RJ14S, RJ45S	
	Parallel Flangeless Mount* (side entry)	4	4	.540 13.72	.810 20.57	.630 16	.440 11.18	520249-2	641334	—
Perpendicular Mount* (top entry)	6	4	.620 15.75	.810 20.57	.630 16	.520 13.21	520250-2	641335	RJ11C, RJ11W, RJ13C, RJ13W, RJ14C, RJ14W	
	6	6	.620 15.75	.810 20.57	.630 16	.520 13.21	520250-3	641337	RJ12C, RJ12W	
	8	6	.700 17.78	.810 20.57	.630 16	.600 15.24	520251-3	641337 641338	—	
	8	8	.700 17.78	.810 20.57	.630 16	.600 15.24	520251-4	641338	—	
	8K	6	.700 17.78	.810 20.57	.630 16	.600 15.24	520252-3	641337 641339	—	
	8K	8	.700 17.78	.810 20.57	.630 16	.600 15.24	520252-4	641339	RJ14S, RJ45S	
	Perpendicular Mount* (top entry)	4	4	.550 13.97	.625 15.88	.645 16.38	.450 11.43	520257-2	641334	—
		6	4	.630 16	.625 15.88	.645 16.38	.530 13.46	520258-2	641335	RJ11C, RJ11W, RJ13C, RJ13W, RJ14C, RJ14W
6		6	.630 16	.625 15.88	.645 16.38	.530 13.46	520258-3	641337	RJ12C, RJ12W	
8		6	.710 18.03	.625 15.88	.645 16.38	.610 15.49	520259-3	641337 641338	—	
8		8	.710 18.03	.625 15.88	.645 16.38	.610 15.49	520259-4	641338	—	
8K		6	.710 18.03	.625 15.88	.645 16.38	.610 15.49	520260-3	641337 641338	—	
8K		8	.710 18.03	.625 15.88	.645 16.38	.610 15.49	520260-4	641339	RJ14S, RJ45S	

\*For pc board layout and panel cutout information refer to AMP Application Specification as noted on front page.