

## Vent



Stainless

Plastic

Snap-in

Metal

M6

## Ordering Information

## Vent

1 — 2 3 4 — 5 6 7

## Specification

(VENT) Vent

## Type

(PS1) M12 x 1.5 (Plastic) (MS1) M12 x 1.5(Metal)

(PS2) M6 x 0.75 (Plastic) (PQ.1) Snap-in (Plastic)

## Assembly (Style)

(Y) With Nut

(N) Without Nut

## Housing Color

(BK) Black

(GY) Gray

(ME) Metallic

## Membrane

(O) Oleophobic

(N) W/O Oleophobic

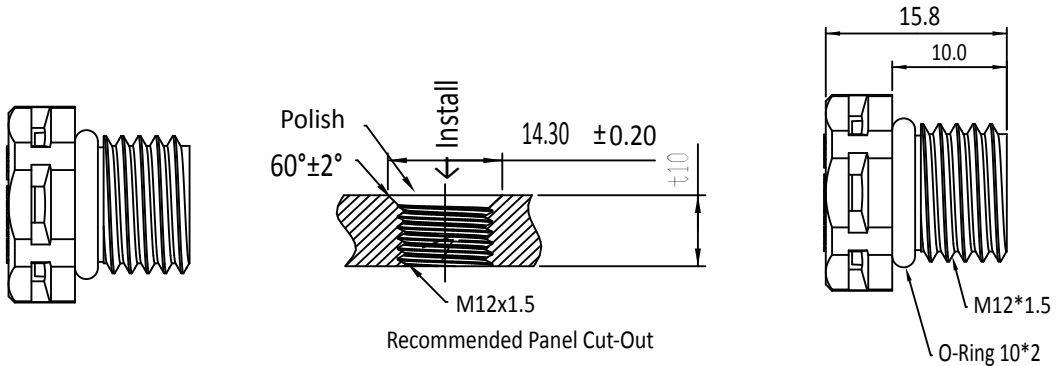
## Waterproof Rating

(8) IP 68

## More Information

001, 002, 003.....

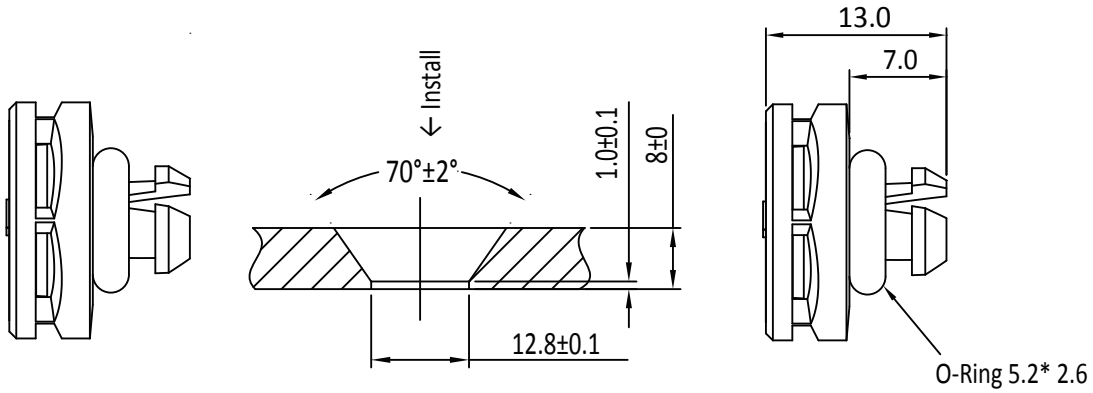
# Find Our Standard Products



Without Nut					
Part Number	Air Permeability	Body Color	O-ring Color	Oleophobic	Waterproof Rating
VENT-PS1NGY-N8001	>1000 ml/min@70mbar	Gray	Blue	N	IP68 / IP69K
VENT-PS1NBK-N8001	>1000 ml/min@70mbar	Black	Blue	N	IP68 / IP69K
VENT-PS1NGY-O8001	>550 ml/min@70mbar	Gray	Black	Y	IP68 / IP69K
VENT-PS1NBK-O8001	>550 ml/min@70mbar	Black	Black	Y	IP68 / IP69K
VENT-PS1NGY-O8002	>1000 ml/min@70mbar	Gray	Green	Y	IP68 / IP69K
VENT-PS1NBK-O8002	>1000 ml/min@70mbar	Black	Green	Y	IP68 / IP69K
VENT-PS1NGY-N8002	>3000 ml/min@70mbar	Gray	Red	N	IP68
VENT-PS1NBK-N8002	>3000 ml/min@70mbar	Black	Red	N	IP68

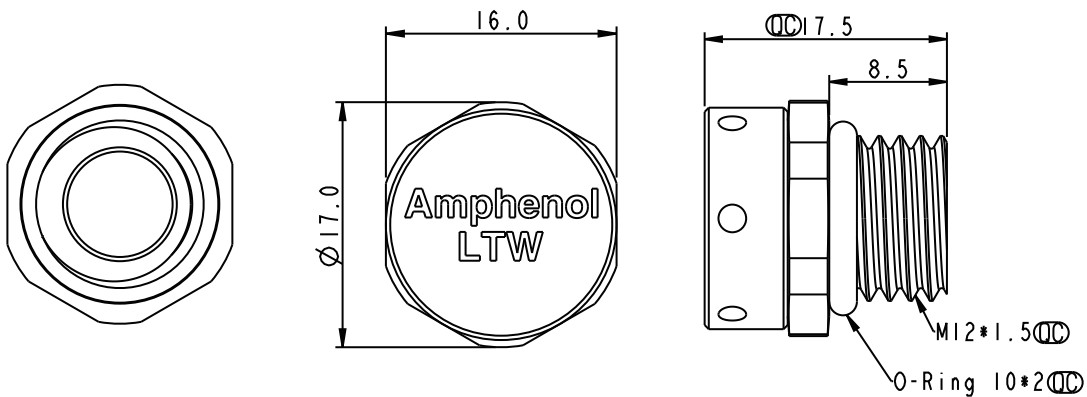
With Nut					
Part Number	Air Permeability	Body Color	O-ring Color	Oleophobic	Waterproof Rating
VENT-PS1YGY-N8001	>1000 ml/min@70mbar	Gray	Blue	N	IP68 / IP69K
VENT-PS1YBK-N8001	>1000 ml/min@70mbar	Black	Blue	N	IP68 / IP69K
VENT-PS1YGY-O8001	>550 ml/min@70mbar	Gray	Black	Y	IP68 / IP69K
VENT-PS1YBK-O8001	>550 ml/min@70mbar	Black	Black	Y	IP68 / IP69K
VENT-PS1YGY-O8002	>1000 ml/min@70mbar	Gray	Green	Y	IP68 / IP69K
VENT-PS1YBK-O8002	>1000 ml/min@70mbar	Black	Green	Y	IP68 / IP69K
VENT-PS1YGY-N8002	>3000 ml/min@70mbar	Gray	Red	N	IP68
VENT-PS1YBK-N8002	>3000 ml/min@70mbar	Black	Red	N	IP68

\* Design and specification are subject to change without notice.



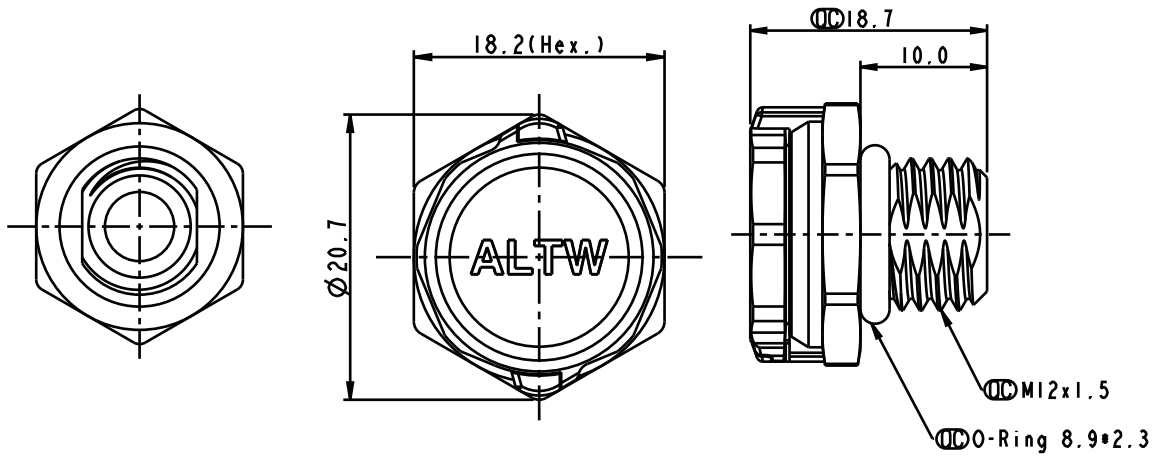
## Snap in

Part Number	Air Permeability	Body Color	O-ring Color	Oleophobic	Waterproof Rating
VENT-PQ1NGY-N8001	>1000 ml/min@70mbar	Gray	Blue	N	IP68 / IP69K
VENT-PQ1NBK-N8001	>1000 ml/min@70mbar	Black	Blue	N	IP68 / IP69K
VENT-PQ1NGY-O8001	>550 ml/min@70mbar	Gray	Black	Y	IP68 / IP69K
VENT-PQ1NBK-O8001	>550 ml/min@70mbar	Black	Black	Y	IP68 / IP69K
VENT-PQ1NGY-O8002	>1000 ml/min@70mbar	Gray	Green	Y	IP68 / IP69K
VENT-PQ1NBK-O8002	>1000 ml/min@70mbar	Black	Green	Y	IP68 / IP69K
VENT-PQ1NGY-N8002	>3000 ml/min@70mbar	Gray	Red	N	IP68 / IP69K
VENT-PQ1NBK-N8002	>3000 ml/min@70mbar	Black	Red	N	IP68 / IP69K

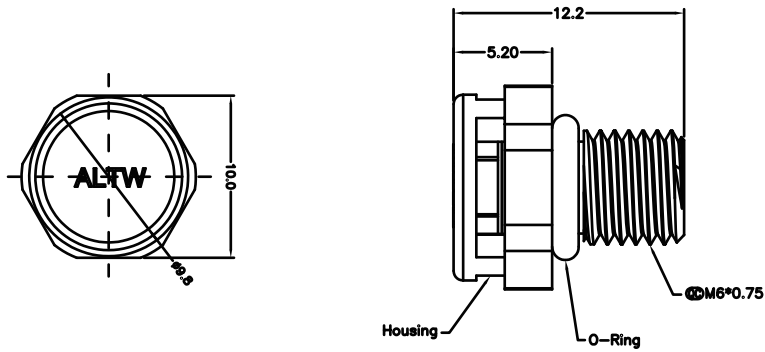


## Stainless

Part Number	Air Permeability	Body Color	O-ring Color	Oleophobic	Waterproof Rating
VENT-MS1NMS-O8001	>1600 ml/min@70mbar	Silver	Black	Y	IP68 / IP69K



Metal					
Part Number	Air Permeability	Body Color	O-ring Color	Oleophobic	Waterproof Rating
VENT-MS1NME-O8001	>1760 ml/min@70mbar	Silver	Black	Y	IP68 / IP69K



M6					
Part Number	Air Permeability	Body Color	O-ring Color	Oleophobic	Waterproof Rating
VENT-PS2NGY-O8001	>300 ml/min@70mbar	Gray	Black	Y	IP68
VENT-PS2NBR-O8001	>300 ml/min@70mbar	Black	Black	Y	IP68