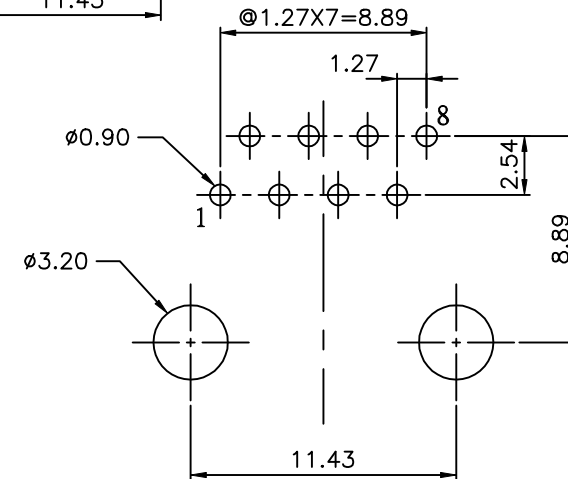
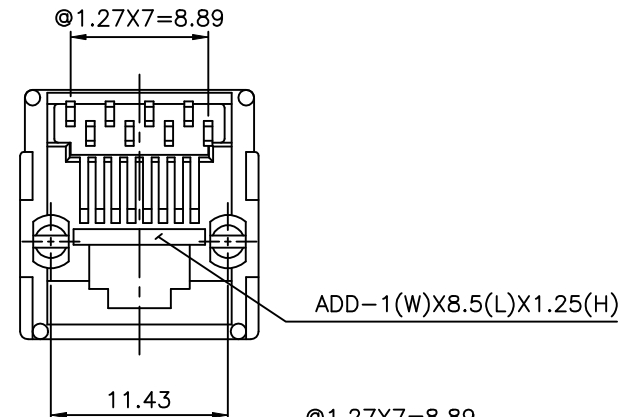
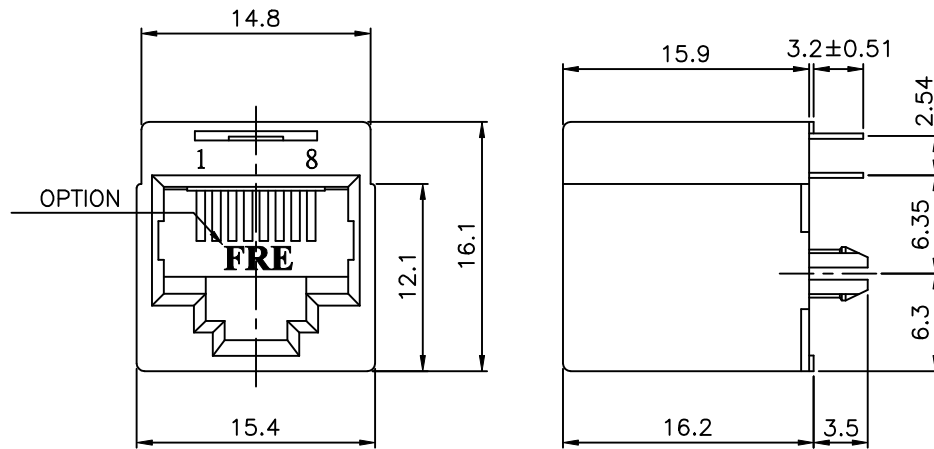


REVISION RECORD				
REV	ECO	DESCRIPTION	DRFT	CHKD
△		DRAWING MODIFY		CZH 2/28/2002
△		NOTES MODIFY		Among 10/22/04



PC Board Layout Component Side Shown

NOTES:

ELECTRICAL:

- VOLTAGE RATING : 125 VAC RMS.
- CURRENT RATING : 1.5 AMP.
- CONTACT RESISTANCE : 30 MILLIOHMS MAX.
- INSULATION RESISTANCE: 1000 MEGOHMS MIN @ 500 VDC.
- DIELECTRIC STRENGTH : 1000 VAC RMS 60HZ, 1MIN.

MECHANICAL:

- HOUSING MATERIAL : GLASS FILLED POLYESTER UL94V-0.
- CONTACT MATERIAL : PHOSPHOR BRONZE t=0.35mm.
- PLATING : GOLD PLATING OVER NICKEL.
- OPERATING LIFE : 750 CYCLES MIN.
- PCB RETENTION PRE-SOLDER : 1 LB MIN.
- PCB RETENTION POST-SOLDER: 10 LBS MIN.

ENVIRONMENTAL:

- STORAGE : -40°C TO +85°C.
- OPERATION: -40°C TO +85°C.

MATES WITH MODULAR PLUG CONFORMING TO FCC PART 68, SUBPART F.

CUL FILE NO. E163191

PART NUMBER: E528X-X00X4X

- | | |
|-----------------|---------------|
| 8--8P8C | 1- 3u" 2- 6u" |
| 6--8P6C | 3-15u" 4-30u" |
| 4--8P4C | 5-50u" |
| 2--8P2C | 0--A06-0100 |
| △ 3-W/ FRE LOGO | 1--A06-0080 |
| R-W/O FRE LOGO | |

DETACHED LISTS	MM (INCH)	DFTO RACHEL	DATE 10/15/2001	FULL RISE ELECTRONIC CO., LTD	
	TOLERANCES EXCEPT AS NOTED	CHKD SAMMY	DATE 2004/11/18		
	MM	MFO	DATE	TITLE RJ45 TOP ENTRY PCB MODULAR JACK(DIP TYPE)	
	.0 ± 0.2	APPVLLUSEHNG	DATE 2004/11/18		
.00 ± 0.15	MATERIAL :	QTY :		DRAWING NO. GE523045	SIZE A3
.000 ± 0.075	ANGLES ± 0.5	FINISH :		/PART NO. SEE NOTE	REV 2
THIRD ANGLE PROJECTION	SCALE : 3:1	DO NOT SCALE DRAWING		SHEET OF	