

SAC-5P-M12FS CAN TR - Termination resistor



1529344

<https://www.phoenixcontact.com/us/products/1529344>

Please be informed that the data shown in this PDF document is generated from our online catalog. Please find the complete data in the user documentation. Our general terms of use for downloads are valid.

Terminating resistor CANopen[®]/DeviceNet[™] M12



Commercial data

Item number	1529344
Packing unit	1 pc
Minimum order quantity	5 pc
Sales key	BF10
Product key	BF1GVX
Catalog page	Page 444 (C-6-2019)
GTIN	4017918989538
Weight per piece (including packing)	12.74 g
Weight per piece (excluding packing)	9.28 g
Customs tariff number	85332100
Country of origin	DE

SAC-5P-M12FS CAN TR - Termination resistor



1529344

<https://www.phoenixcontact.com/us/products/1529344>

Technical data

Product properties

Product type	Terminal resistor
Number of positions	5
Coding	A

Insulation characteristics

Overvoltage category	II
Degree of pollution	3

Electrical properties

Nominal voltage U_N	48 V AC
	60 V DC
	5 V _{rms}
Nominal current I_N	4 A
	45 mA (I_{eff})

General

Termination resistor	120 Ω \pm 1 %
Power consumption	\leq 0.25 W

Signaling

Status display	No
Status display present	No

Material specifications

Flammability rating according to UL 94	HB
Seal material	NBR
Material of grip body	TPU, hardly inflammable, self-extinguishing
Contact material	CuSn
Contact surface material	Ni/Au
Contact carrier material	TPU GF
Material for screw connection	Zinc die-cast, nickel-plated

Connector

Connection 1

Type	Socket straight M12
Number of positions	5
Coding type	A
Number of positions	5

Mechanical properties

Mechanical data

SAC-5P-M12FS CAN TR - Termination resistor



1529344

<https://www.phoenixcontact.com/us/products/1529344>

Insertion/withdrawal cycles	≥ 100
-----------------------------	-------

Environmental and real-life conditions

Ambient conditions

Degree of protection	IP65
	IP67
Ambient temperature (operation)	-25 °C ... 90 °C (Plug)

Approvals

National Marine Electronics Association

Certificate	approved
-------------	----------

SAC-5P-M12FS CAN TR - Termination resistor

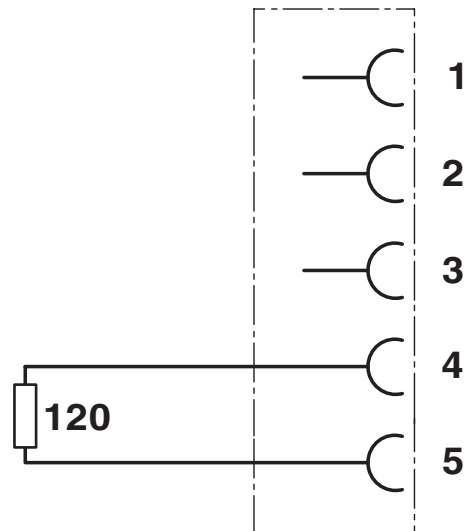


1529344

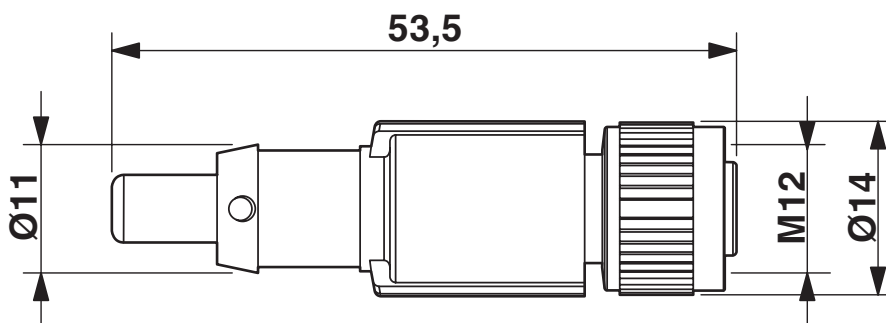
<https://www.phoenixcontact.com/us/products/1529344>

Drawings

Circuit diagram



Dimensional drawing



M12 x 1 socket, straight

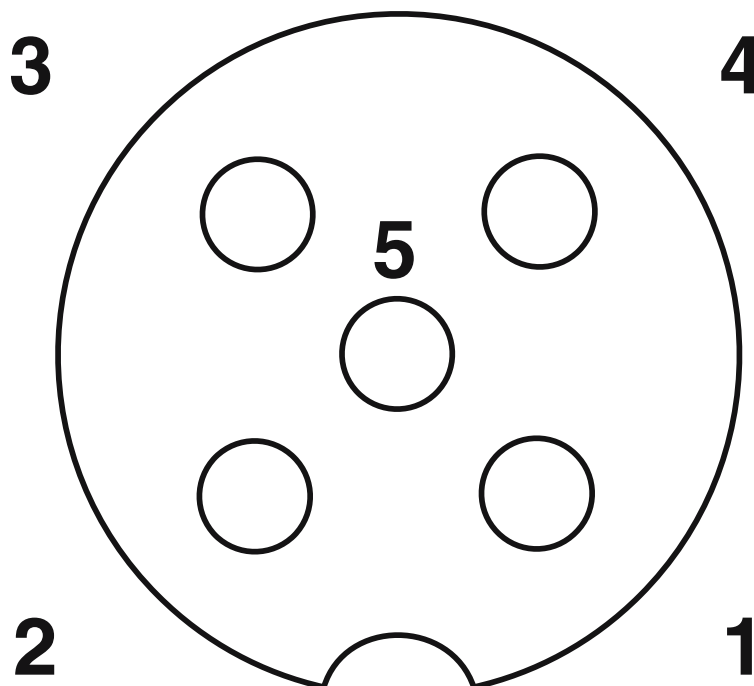
SAC-5P-M12FS CAN TR - Termination resistor

1529344

<https://www.phoenixcontact.com/us/products/1529344>



Schematic diagram



Pin assignment M12 socket, 5-pos., A-coded, socket side view

SAC-5P-M12FS CAN TR - Termination resistor



1529344

<https://www.phoenixcontact.com/us/products/1529344>

Classifications

ECLASS

ECLASS-11.0	19070403
ECLASS-12.0	19070403
ECLASS-13.0	19070403

ETIM

ETIM 8.0	EC000448
----------	----------

UNSPSC

UNSPSC 21.0	32121600
-------------	----------

SAC-5P-M12FS CAN TR - Termination resistor



1529344

<https://www.phoenixcontact.com/us/products/1529344>

Environmental product compliance

China RoHS	Environmentally friendly use period: unlimited = EFUP-e No hazardous substances above threshold values
------------	---

Phoenix Contact 2023 © - all rights reserved
<https://www.phoenixcontact.com>

Phoenix Contact USA
586 Fulling Mill Road
Middletown, PA 17057, United States
(+717) 944-1300
info@phoenixcon.com