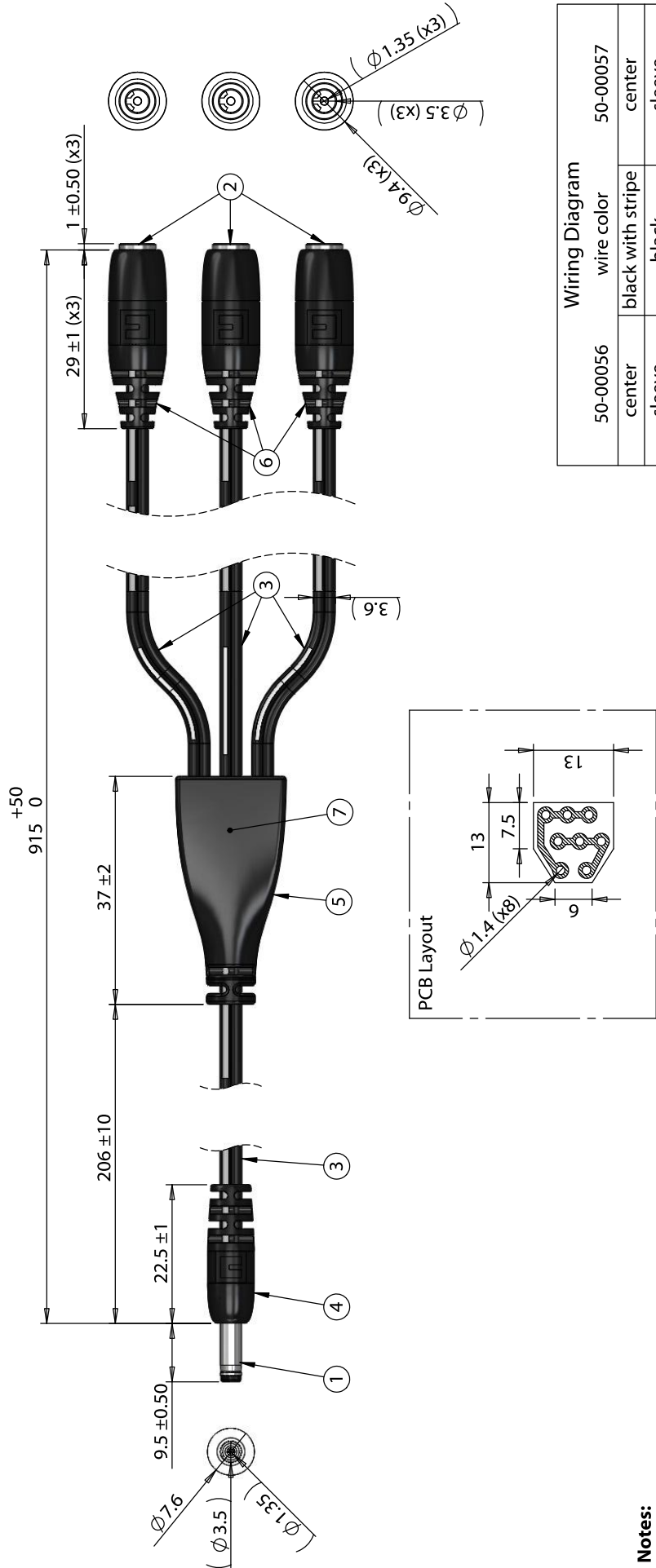


ITEM NO.	PART NUMBER	DESCRIPTION	QTY.	COMPONENT NOTES
1	50-00056	Connector, dc plug, 3.5x1.35xL20mm, molding style, spring contacts	1	
2	50-00057	Connector, dc jack, 3.5x1.35xL16.5 mm, molding style	3	
3	30-00003	Wire, 2C BC, 24 AWG, UL2468, 300V, 80C, 3.6 mm, VW-1, PVC, 76A	4	
4	24-00002	Overmold, PVC	1	black
5	24-00186	Overmold, splitter, Ø 8.0 mm by 10.0x18.0 mm	1	black
6	24-00005	Overmold, PVC	3	black
7	PCB	Splitter PCB, FR4, two-layer, tin, 13.0x13.0x1.6 mm	1	



Notes:
Functionally equivalent components may be substituted

Revision:	Date:	Description:	Prepared:	Notes:
A	4/13/2018	Initial release	JP <small>Digitally signed by JP Date: 2018.04.13 16:07:19 +0700</small>	RoHS compliant
			AW <small>Digitally signed by AW Date: 2018.04.16 15:52:14 -0700</small>	Function test: no open, no short circuit, no intermittent
				Description: Cable, 915 mm, 3.5x1.35x9.5 mm 50-00056 dc plug to Y-split to 3x 3.5x1.35mm 50-00057 dc jack, 24 AWG
				Dimensions are in millimeters. Tolerances: X: ± 0.5 mm X.X: ± 0.3 mm X.XX: ± 0.05 mm
				Size: Part number: A 10-02789
				Scale: 1:1

TENSILITY

tel 1.541.323.3228 800 877.670.7118
fax 1.541.323.4202 web tensility.com

