

# SACB-8/16-M23 - Sensor/actuator box



1692844

<https://www.phoenixcontact.com/us/products/1692844>

Please be informed that the data shown in this PDF document is generated from our Online Catalog. Please find the complete data in the user documentation. Our General Terms of Use for Downloads are valid.



Sensor/actuator box, application: Standard, connection method: M12 socket Plastic, number of slots: 8, number of positions: 5, coding: A, slot assignment: Double, status display: No, Universal; master cable connection: M23 plug connection 90°, shielding: no

## Your advantages

- Safety in the field, thanks to molded housing and high degree of protection
- Save space: distributor box with double occupancy for two sensors in one slot

## Commercial Data

Item number	1692844
Packing unit	1 pc
Minimum order quantity	1 pc
Sales Key	BF41
Product Key	BF3CBB
Catalog Page	Page 114 (PC-2009)
GTIN	4017918177973
Weight per Piece (including packing)	152.9 g
Weight per Piece (excluding packing)	129 g
Customs tariff number	85366990
Country of origin	DE

# SACB-8/16-M23 - Sensor/actuator box



1692844

<https://www.phoenixcontact.com/us/products/1692844>

## Technical Data

### Notes

General	<b>NOTE:</b> Observe the permissible bending radii when laying conductors, since the degree of protection may be put in jeopardy if the bending forces are too high. Alleviate mechanical loads upstream of the connector, e.g. by using cable ties.
General	Unused slots are to be sealed off prior to commissioning. Suitable sealing elements are to be found under "Accessories".

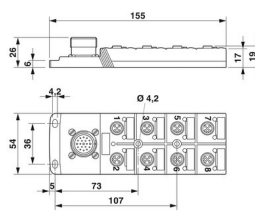
### Product properties

Product type	Distributor boxes with M8 to M12 slots
Number of positions	5
Application	Standard
Number of slots	8
Coding	A
LED	No

### Material specifications

Color	green
Material Threaded sleeve	PA
Material Housing	PA
Flammability rating according to UL 94	V0
Seal material O-ring	NBR
Contact material	CuSn
Contact surface material	Ni/Au
Contact carrier material	PA
Material of contact, master cable side	CU alloy
Material of contact surface, master cable side	gold-plated

### Dimensions

Dimensional drawing	
Width	54 mm
Height	26 mm
Length	155 mm

### Connection data

Conductor connection

# SACB-8/16-M23 - Sensor/actuator box



1692844

<https://www.phoenixcontact.com/us/products/1692844>

Connection method	M23 plug connection
Tightening torque slot sensor/actuator cable	0.4 Nm

## Pin assignment

Slot/position = Wire color or connection	1 / 4 (A) = 15
	1 / 2 (B) = 7
	2 / 4 (A) = 5
	2 / 2 (B) = 4
	3 / 4 (A) = 16
	3 / 2 (B) = 8
	4 / 4 (A) = 3
	4 / 2 (B) = 14
	5 / 4 (A) = 17
	5 / 2 (B) = 9
	6 / 4 (A) = 2
	6 / 2 (B) = 13
	7 / 4 (A) = 11
	7 / 2 (B) = 10
	8 / 4 (A) = 1
8 / 2 (B) = 18	
1-8 / 1 (+ 120 V) = 19	
1-8 / 3 (0 V) = 6	
1-8 / 5 (PE) = 12	

## Signaling

Status display present	No
------------------------	----

## Electrical properties

Max. operating voltage $U_{max}$	135 V
Nominal voltage $U_N$	120 V AC
	120 V DC
Rated current, total	12 A
Max. current carrying capacity per path	2 A
Current carrying capacity per slot	4 A

## Cable/line

Sensor/actuator connection system	M12 socket
Connection method	M23 plug connection
Tightening torque slot sensor/actuator cable	0.4 Nm

## Environmental and real-life conditions

### Ambient conditions

Degree of protection	IP65
	IP67

# SACB-8/16-M23 - Sensor/actuator box



1692844

<https://www.phoenixcontact.com/us/products/1692844>

Ambient temperature (operation)

-20 °C ... 75 °C

# SACB-8/16-M23 - Sensor/actuator box

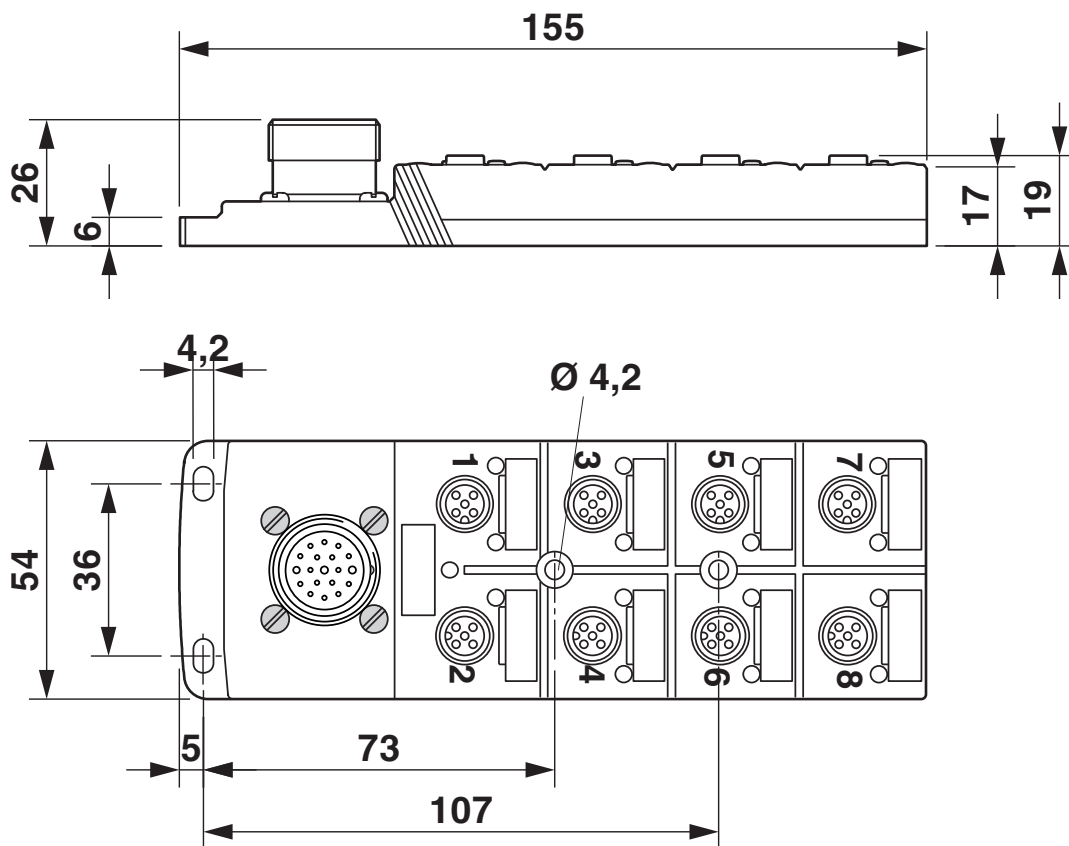


1692844

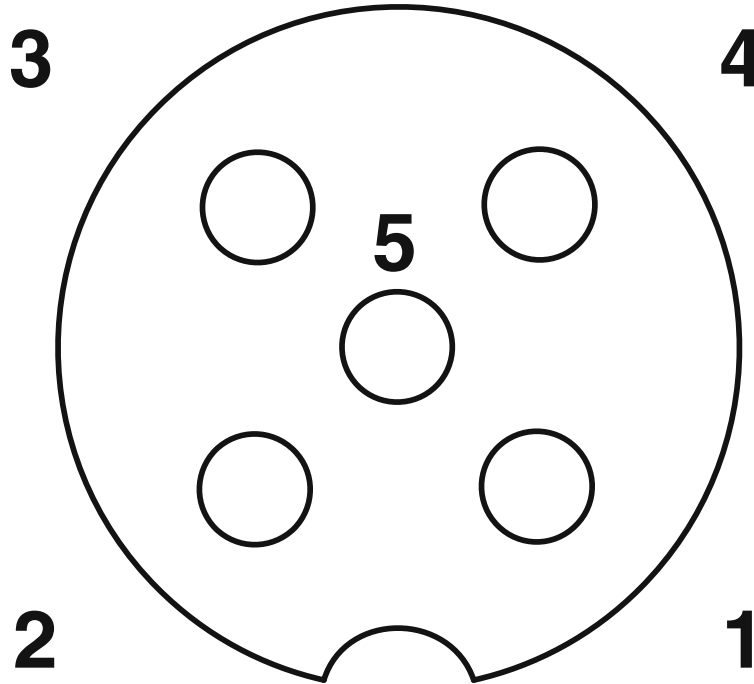
<https://www.phoenixcontact.com/us/products/1692844>

## Drawings

Dimensional drawing

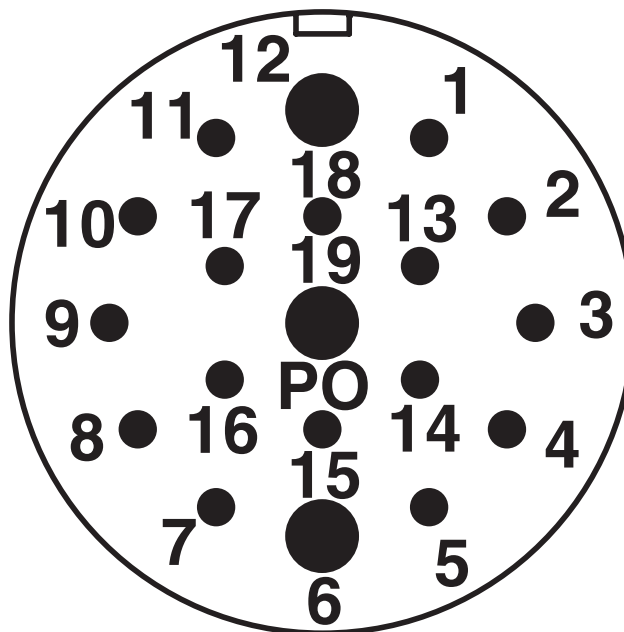


Schematic diagram



M12 slot, socket, 5-pos.

Schematic diagram



M23 plug connection pin, 19-pos.

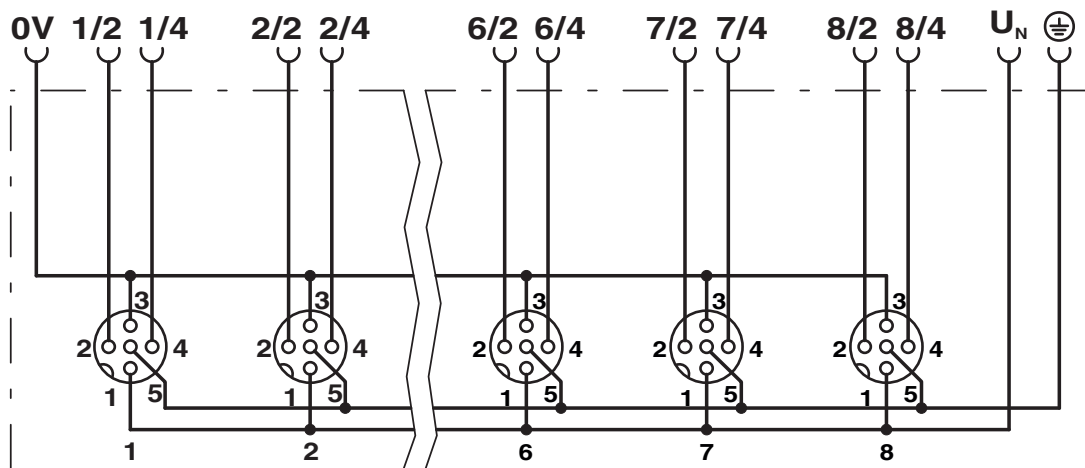
# SACB-8/16-M23 - Sensor/actuator box



1692844

<https://www.phoenixcontact.com/us/products/1692844>

Circuit diagram



# SACB-8/16-M23 - Sensor/actuator box



1692844

<https://www.phoenixcontact.com/us/products/1692844>

## Approvals

To download certificates, visit the product detail page: <https://www.phoenixcontact.com/us/products/1692844>

 <b>cUL Recognized</b> Approval ID: FILE E 118976				
	Nominal Voltage $U_N$	Nominal Current $I_N$	Cross Section AWG	Cross Section $mm^2$
	120 V	-	22 - 16	-

 <b>UL Recognized</b> Approval ID: FILE E 118976				
	Nominal Voltage $U_N$	Nominal Current $I_N$	Cross Section AWG	Cross Section $mm^2$
	120 V	-	22 - 16	-

 <b>EAC</b> Approval ID: RU C-DE.BL08.B.00511	
--	--

<b>cULus Recognized</b>	
-------------------------	--



# SACB-8/16-M23 - Sensor/actuator box



1692844

<https://www.phoenixcontact.com/us/products/1692844>

## Classifications

### ECLASS

ECLASS-11.0	27440111
ECLASS-12.0	27440111
ECLASS-13.0	27440111

### ETIM

ETIM 8.0	EC003558
----------	----------

### UNSPSC

UNSPSC 21.0	31251500
-------------	----------

# SACB-8/16-M23 - Sensor/actuator box



1692844

<https://www.phoenixcontact.com/us/products/1692844>

## Environmental Product Compliance

REACH SVHC	Lead 7439-92-1
China RoHS	Environmentally Friendly Use Period = 50 years
	For information on hazardous substances, refer to the manufacturer's declaration available under "Downloads"

# SACB-8/16-M23 - Sensor/actuator box



1692844

<https://www.phoenixcontact.com/us/products/1692844>

## Accessories

### RCK-TGUM/BL16+3/ 5,0PUR-U - Master cable

1684056

<https://www.phoenixcontact.com/us/products/1684056>



Master cable, application: Sensor/actuator box, connection method: M12 socket Plastic, number of positions: 19, slot assignment: Double, status display: No; master cable connection: M23 plug connection, PUR/PVC, cable length: 5 m, shielding: no, Alternative product in accordance with RoHS II without Exemption 6c (Pb <0.1%) item no.: 1260765

---

### RCK-TGUM/BL16+3/10,0PUR-U - Master cable

1684069

<https://www.phoenixcontact.com/us/products/1684069>



Master cable, application: Sensor/actuator box Plastic, number of positions: 19, slot assignment: Double, status display: No; master cable connection: M23 plug connection, PUR/PVC, cable length: 10 m, shielding: no, Alternative product in accordance with RoHS II without Exemption 6c (Pb <0.1%) item no.: 1260764

# SACB-8/16-M23 - Sensor/actuator box



1692844

<https://www.phoenixcontact.com/us/products/1692844>

## RCK-TWUM/BL16+3/ 5,0PUR-U - Master cable

1684072

<https://www.phoenixcontact.com/us/products/1684072>



Master cable, application: Sensor/actuator box, connection method: M12 socket Plastic, number of positions: 19, slot assignment: Double, status display: No; master cable connection: M23 plug connection, PUR/PVC, cable length: 5 m, shielding: no, Alternative product in accordance with RoHS II without Exemption 6c (Pb <0.1%) item no.: 1260753

---

## RCK-TWUM/BL16+3/10,0PUR-U - Master cable

1684085

<https://www.phoenixcontact.com/us/products/1684085>



Master cable, application: Sensor/actuator box, connection method: M12 socket Plastic, number of positions: 19, slot assignment: Double, status display: No; master cable connection: M23 plug connection, PUR/PVC, cable length: 10 m, shielding: no, Alternative product in accordance with RoHS II without Exemption 6c (Pb <0.1%) item no.: 1260752

# SACB-8/16-M23 - Sensor/actuator box



1692844

<https://www.phoenixcontact.com/us/products/1692844>

## V-RC/TGUM 13/KVD 13/LBL 16+3 - Cable connector

1000042

<https://www.phoenixcontact.com/us/products/1000042>



Cable connector, number of positions: 19, status display: No; master cable connection: M23 screw locking, shielding: no, Alternative product in accordance with RoHS II without Exemption 6c (Pb <0.1%) item no.: 1237971

---

## V-RC/TWUM 13/KVD 13/LBL 16+3 - Cable connector

1000044

<https://www.phoenixcontact.com/us/products/1000044>



Cable connector, number of positions: 19, status display: No; master cable connection: M23 screw locking, shielding: no, Alternative product in accordance with RoHS II without Exemption 6c (Pb <0.1%) item no.: 1237973

# SACB-8/16-M23 - Sensor/actuator box



1692844

<https://www.phoenixcontact.com/us/products/1692844>

## PROT-M12 - Screw plug

1680539

<https://www.phoenixcontact.com/us/products/1680539>



An M12 screw plug for the unoccupied M12 sockets of the sensor/actuator cable, boxes and flush-type connectors

---

## MSK 1 - Metal protective cap

1665897

<https://www.phoenixcontact.com/us/products/1665897>



Metal protective cap, degree of protection: IP67, when in locked state, color: silver, Alternative product in accordance with RoHS II without Exemption 6c (Pb <0.1%) item no.: 1245640

# SACB-8/16-M23 - Sensor/actuator box

1692844

<https://www.phoenixcontact.com/us/products/1692844>



## MSK 2 - Protective cap

1665907

<https://www.phoenixcontact.com/us/products/1665907>

Protective cap, degree of protection: IP67, when in locked state, color: silver,  
Alternative product in accordance with RoHS II without Exemption 6c (Pb <0.1%)  
item no.: 1245641



---

## KSK 1 - Sealing cap

1685013

<https://www.phoenixcontact.com/us/products/1685013>

Plastic sealing cap, for unoccupied M23 connectors



# SACB-8/16-M23 - Sensor/actuator box

1692844

<https://www.phoenixcontact.com/us/products/1692844>



## ZBN 18:UNBEDRUCKT - Zack marker strip

2809128

<https://www.phoenixcontact.com/us/products/2809128>



Zack marker strip, Strip, white, unlabeled, can be labeled with: CMS-P1-PLOTTER, PLOTMARK, mounting type: snapped, for terminal block width: 18 mm, lettering field size: 18 x 5 mm, Number of individual labels: 5

---

## PLUSCON-RCS - Pipe spanner

1665062

<https://www.phoenixcontact.com/us/products/1665062>



Pipe spanner



# SACB-8/16-M23 - Sensor/actuator box



1692844

<https://www.phoenixcontact.com/us/products/1692844>

## TSD 04 SAC - Torque screwdriver

1208429

<https://www.phoenixcontact.com/us/products/1208429>



Torque screwdriver, with preset torque of 0.4 Nm and 4 mm hexagonal drive for M12 connectors

---

## SAC BIT M12-D15 - Tool

1208432

<https://www.phoenixcontact.com/us/products/1208432>



Nut for assembling sensor/actuator cables with M12 connector and M12 connectors for assembly, with a knurl diameter of 15 mm, for 4 mm hexagonal drive

# SACB-8/16-M23 - Sensor/actuator box

1692844

<https://www.phoenixcontact.com/us/products/1692844>



## SACC BIT M12-D20 - Tool

1208445

<https://www.phoenixcontact.com/us/products/1208445>

Nut for assembling M12 connectors for assembly with a knurl diameter of 20 mm, for 4 mm hexagonal drive



---

Phoenix Contact 2023 © - all rights reserved

<https://www.phoenixcontact.com>

Phoenix Contact USA  
586 Fulling Mill Road  
Middletown, PA 17057, United States  
(+717) 944-1300  
[info@phoenixcon.com](mailto:info@phoenixcon.com)