

GSD

M39012/25-0106

REVISIONS

ISSUE	CHANGES
2	CN 32297 A LNM 06/18/90

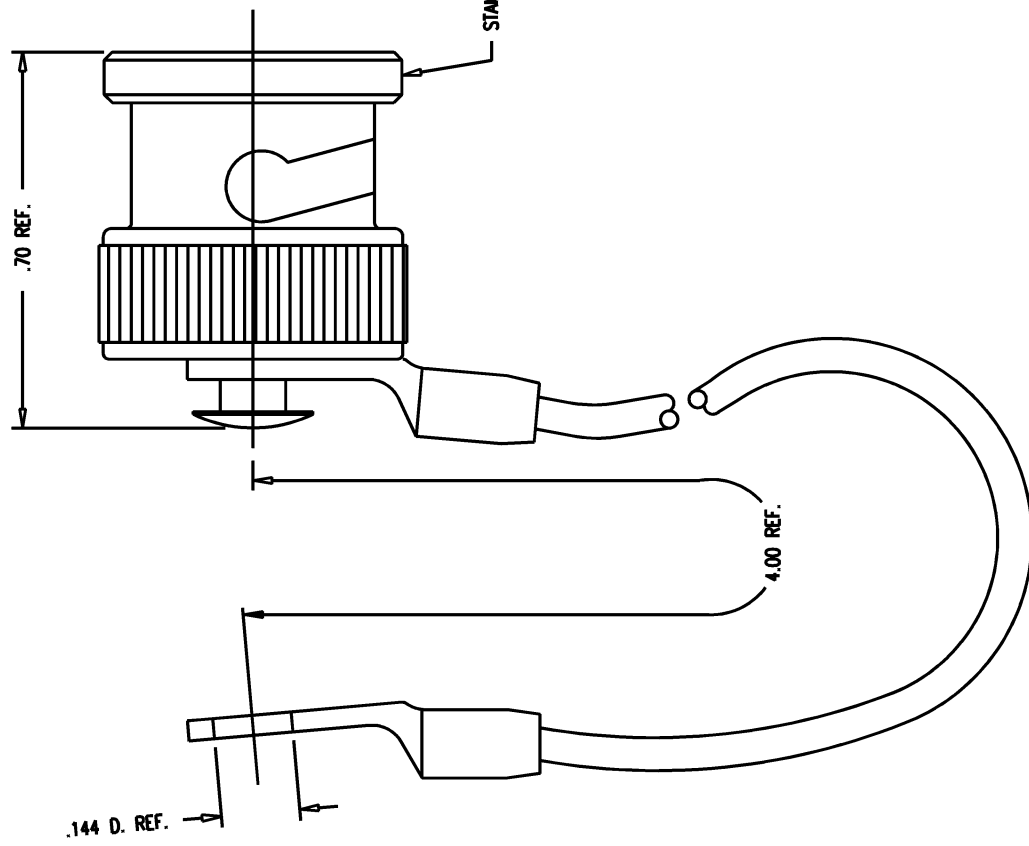
JCA2399

SCALE	4:1
APPROX SURFACE AREA	
758-8-5	
USED ON	
REF:	

BNC CAP & CORD ASS'Y	
DRAWN JCA	DATE 01/17/92
DESIGN MJB	DATE 01/17/92
APPR.	DATE

WIKINGS
ELECTRONICS CO., INC.
TUCKAHOE, NEW YORK 10707

M39012/25-0106



NOTES:

- MATERIALS:**
PAD: SILICONE RUBBER, ZZ-R-765
CORD: CORELESS NYLON CORD, PER MIL-C-7515, COLOR: NATURAL
LUG: ALLOY STEEL
BAYONET SLEEVE & CAP: BRASS, ASTM-816
TERMINAL LUG: STAINLESS STEEL, 303
- FINISHES:**
TERMINAL LUG: PASSIVATE PER QQ-P-35
ALL OTHER METAL PARTS: SILVER PLATE, PER QQ-S-365

GSD

MAY 2007 THIS DRAWING BECAME THE PROPERTY OF PROPERTY OF WINCHESTER ELECTRONICS CORPORATION, WALLINGFORD, CT 06492