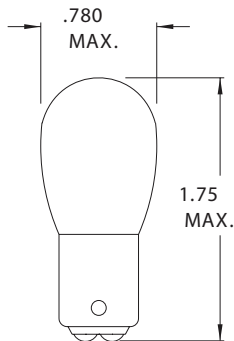
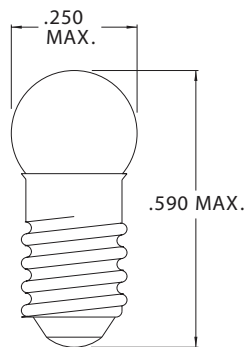


B-6 Double Contact Bayonet Base



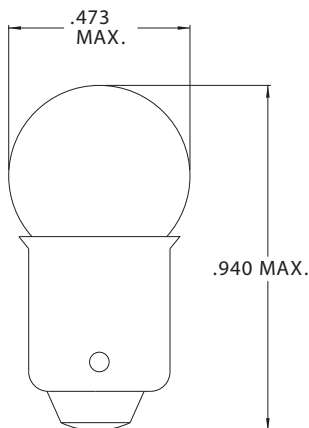
Part Number	Design Voltage	Amps	MSCP	Life Hours	Filament Type
210	6.5	1.78	15.0	100	C-6
1014	6.6	1.50	10.0	200	C-6
1061	6.7	1.80	13.0	400	C-6
104	12.8	1.00	12.0	500	C-6
1004	12.8	.94	15.0	100	C-6

G-2 Midget Screw Base



Part Number	Design Voltage	Amps	MSCP	Life Hours	Filament Type
162	7.0	.065	.085	1,000	C-2V
163	14.0	.065	.066	1,000	C-2F
333	28.0	.040	.320	1,000	C-2F

G-3 1/2 Miniature Bayonet Base



Part Number	Design Voltage	Amps	MSCP	Life Hours	Filament Type
354	2.47	.300	.50	15	C-2R
130	6.3	.150	.32	5,000	C-2R
219	6.3	.250	.50	5,000	C-2V
137	6.6	.250	.55	5,000	C-2R
51	7.5	.220	1.0	1,000	C-2R
363	14.0	.200	2.0	250	C-2V
53	14.4	.120	1.0	1,000	C-2V
53X	14.4	.120	.75	3,000	C-2V
182	14.4	.180	1.0	2,000	C-2F
250	14.4	.120	.50	2,500	C-2F
1445	14.4	.135	.70	2,000	C-2V
1450	24.0	.035	.23	3,000	C-2F
265	28.0	.080	.75	5,000	C-2F
356	28.0	.170	3.5	500	C-2V