

Photologic® Sensor

OPL530, OPL531, OPL535, OPL536, OPL550, OPL551, OPL560, OPL561, OPL562, OPL563



Features:

- Choice of four output options in low-cost side-looking package
- Choice of two sensitivity options (OPL560/561/562/563)
- High noise immunity
- Direct TTL/LSTTL CMOS interface
- Data rates to 250 kBaud for all except OPL560 series (200 kBaud)
- Low power consumption

Description:

All components in this series include a photodiode, amplifier, voltage regulator, Schmitt trigger and NPN output transistor on a single silicon chip. **OPL560** chips also include a voltage regulator on the chip. All devices in the series have a Photologic® chip that is encapsulated in a molded plastic side-looking package with an integral lens (recessed integral lens for OPL535 and OPL536). This packaging provides enhanced optical coupling, combined with mechanical protection. The hysteresis characteristics of the Schmitt trigger on each device offers high immunity to noise on input and V_{CC} .

OPL530, OPL531, OPL535 and **OPL536** include a 10 K Ω pull-up resistor (R_L) from output to V_{CC} . These components exhibit very stable performance over supply voltages ranging from 4.5 V to 16 V and a wide range of irradiance levels. **OPL550** and **OPL551** devices feature TTL/LSTTL compatible logic level output which can drive up to 8 TTL loads without additional circuitry and medium-speed data rates to 250 kBaud, with typical rise and fall times of 25 nanoseconds. **OPL560, OPL561, OPL562** and **OPL563** devices feature TTL/LSTTL compatible logic level output which can drive up to 10 TTL loads over supply voltages ranging from 4.5 V to 16 V.

OPL530, OPL531, OPL550, OPL551, OPL560, OPL561, OPL562 and **OPL563** are mechanically and spectrally matched to OP140 and OP240 LEDs. **OPL535** and **OPL536** are mechanically and spectrally matched to OP145 and OP245 series LEDs.

Applications:

- Non-contact reflective object sensor
- Assembly line automation
- Machine automation
- Machine safety
- End of travel sensor
- Door sensor

Base Part Number	Package	Output Type - with Light	Input Power Range (mW/cm ²) [Min/Max]		
			-	A	B
OPL530	External Lens	Internal 10 K - High	0.12/0.38	--	--
OPL530-OC		Open Collector - High			
OPL531A		Internal 10 K - Low	--		--
OPL531-OCA		Open Collector - Low		0.12/0.280	
OPL535A, OPL535B	Recessed Lens	Internal 10 K - High	--		0.23/0.38
OPL536A, OPL536-OC, OPL536-OCA		Internal 10 K - Low			
OPL550, OPL550A OPL550-OC	External Lens	Totem Pole - High	0.25/2.4	0.25/1.4	N/A
OPL550-OCA		Open Collector - High			
OPL551, OPL551A		Totem Pole - Low			
OPL551-OC, OPL551-OCA		Open Collector - Low			
OPL560, OPL560A		Totem Pole - High	0.09/0.55	0.09/0.36	N/A
OPL560-OCA		Open Collector - High			
OPL561		Totem Pole - Low			
OPL561-OC, OPL561-OCA		Open Collector - Low	0.025/0.23	0.025/0.14	N/A
OPL562, OPL562A		Totem Pole - High			
OPL562-OC, OPL562-OCA		Open Collector - High			
OPL563, OPL563-OC, OPL563-OCA		Totem Pole - Low			
OC = Open Collector Output					
OCA = Open Collector Output Inverted					



General Note

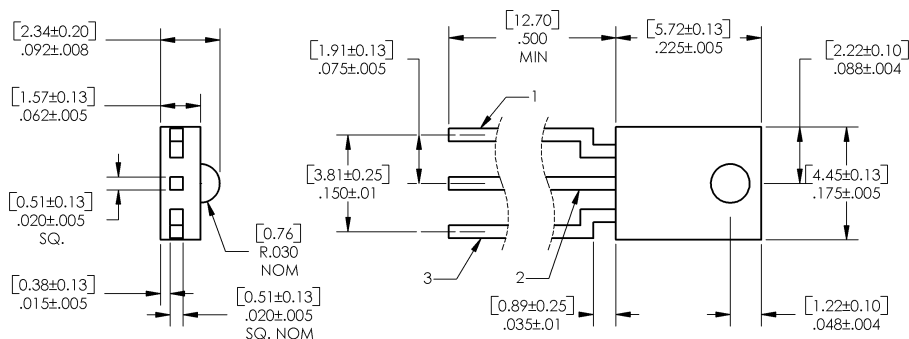
TT Electronics reserves the right to make changes in product specification without notice or liability. All information is subject to TT Electronics' own data and is considered accurate at time of going to print.

© TT electronics plc

TT Electronics | OPTEK Technology
2900 E. Plano Pkwy, Plano, TX 75074 | Ph: +1 972 323 2200
www.ttelectronics.com | sensors@ttelectronics.com

Rev H 06/2022 Page 1

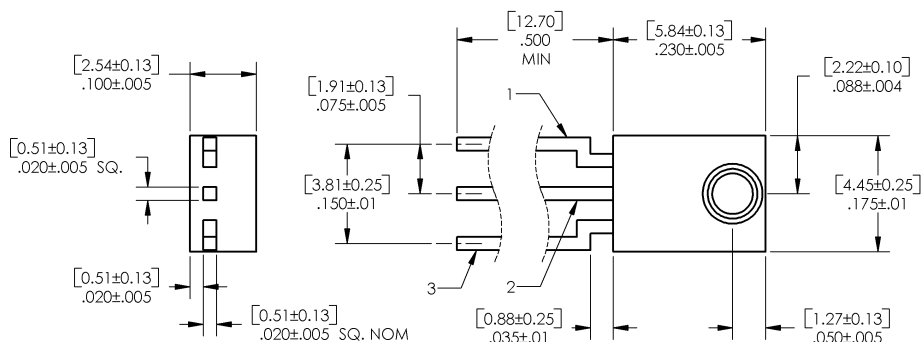
OPL530, OPL550, OPL560 Series



DIMENSIONS ARE IN: [MILLIMETERS]
INCHES

Pin #	Sensor
1	Ground
2	Output
3	V _{CC}

OPL535, OPL536 Series



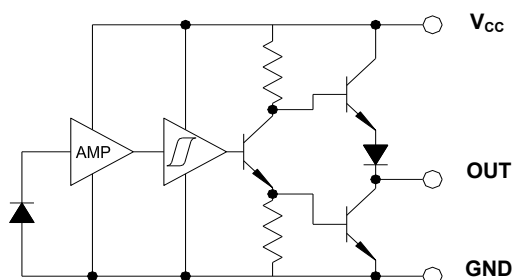
DIMENSIONS ARE IN: [MILLIMETERS]
INCHES

Pin #	Sensor
1	Ground
2	Output
3	V _{CC}

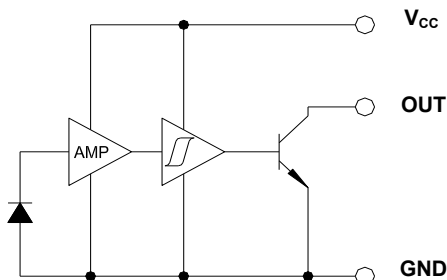
General Note

TT Electronics reserves the right to make changes in product specification without notice or liability. All information is subject to TT Electronics' own data and is considered accurate at time of going to print.

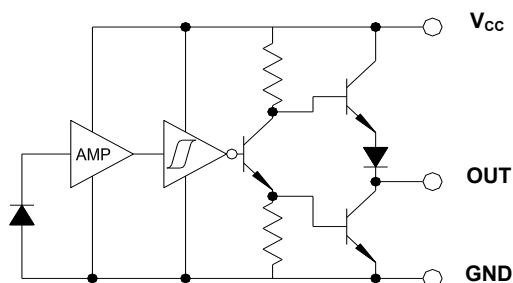
OPL550/550A/560/560A/562 Totem-Pole



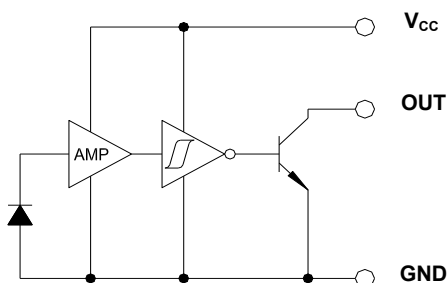
OPL530-OC/550-OCA/560-OCA/562-OC/562-OCA Open-Collector



OPL551/561/563 Inverted Totem-Pole

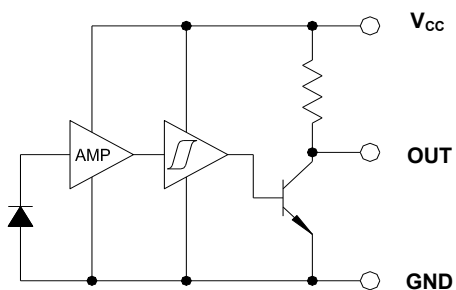


OPL531-OCA/551-OC/551-OCA/561-OC/561-OCA Inverted Open-Collector

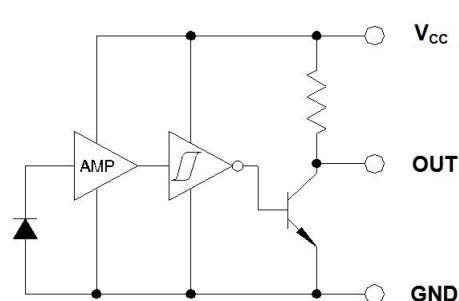


OPL530, OPL531A, OPL535A, OPL535B, OPL536A

OPL530/535A/535B 10 K Pull-Up



OPL531A/536A Inverted 10 K Pull-Up



General Note

TT Electronics reserves the right to make changes in product specification without notice or liability. All information is subject to TT Electronics' own data and is considered accurate at time of going to print.

Electrical Specifications

Absolute Maximum Ratings ($T_A = 25^\circ\text{C}$ unless otherwise noted)

Input Diode	
Supply Voltage (V_{CC}) OPL530, OPL530-OC OPL550 OPL560, OPL561, OPL562, OPL563	18 V 10 V 18 V
Operating Temperature Range	-40° C to + 85° C
Storage Temperature Range	-40° C to + 100° C
Lead Soldering Temperature [1/16 inch (1.6 mm) from the case for 5 sec. with soldering iron]	260°C
Sourcing Current OPL560, OPL561, OPL562, OPL563	10 mA
Power Dissipation OPL530, OPL530-OC OPL550, OPL560, OPL561, OPL562, OPL563	90 mW 200 mW ⁽²⁾
Sinking Current OPL530, OPL530-OC OPL550 OPL560, OPL561, OPL562, OPL563	50 mA - 50 mA
Voltage at Output Lead ⁽⁴⁾ OPL530, OPL530-OC OPL550-OCA, OPL551-OC, OPL551-OCA OPL561-OC, OPL562-OC	35 V 35 V 35 V
Duration of Output Short to V_{CC} or Ground OPL550	1 second
Duration of Output Short to V_{CC} OPL550-OCA, OPL551-OC, OPL551-OCA OPL560, OPL561, OPL562, OPL563, OPL561-OC, OPL562-OC	1 second 1 second
Low Level Output Current OPL550, OPL551 Series	16 mA
High Level Output Current OPL550, OPL551 Series	1 mA
Irradiance OPL550, OPL551 Series OPL560, OPL561, OPL561-OC OPL562, OPL562-OC, OPL563	10 mW/cm ² 9 mW/cm ² 3 mW/cm ²

Notes:

- (1) RMA flux is recommended. Duration can be extended to 10 sec. max. when flow soldering. For OPL530, OPL530-OC, OPL531A, OPL531-OCA, OPL535A, OPL535B, and OPL536A a maximum of 20 grams force may be applied to leads while at soldering temperatures.
- (2) Derate linearly 2.67 mW/° C above 70° C for OPL530, OPL530-OC, OPL531A, OPL531-OC, OPL535A/B, and OPL536A. Derate linearly 2.5 mW/° C above 25° C for all devices in the OPL550, OPL551, OPL560, OPL561, OPL562 and OPL563 series.
- (3) Irradiance measurements are made with $\lambda_i = 935\text{ nm}$.
- (4) This applies to OC versions only. For I_{CC} on pull-up versions, add $V_{CC}/10\text{ K}\Omega$.

General Note

TT Electronics reserves the right to make changes in product specification without notice or liability. All information is subject to TT Electronics' own data and is considered accurate at time of going to print.

TT Electronics | OPTEK Technology
2900 E. Plano Pkwy, Plano, TX 75074 | Ph: +1 972 323 2200
www.ttelectronics.com | sensors@ttelectronics.com

Electrical Specifications

Electrical Characteristics ($T_A = 25^\circ\text{C}$ unless otherwise noted)

SYMBOL	PARAMETER	MIN	TYP	MAX	UNITS	TEST CONDITIONS
V_{CC}	Operating Supply Voltage OPL530, OPL530-OC, OPL531, OPL531-OC OPL535, OPL536 OPL560, OPL561 Series	4.5	-	16	V	-
	OPL550, OPL551 Series	4.5	-	5.5	V	-
	Peak-to-Peak V_{CC} Ripple Necessary to Cause False Triggering of Output OPL530, OPL530-OC, OPL531, OPL531-OC OPL535, OPL536 OPL560, OPL561 Series	-	-	2	V	$f = \text{DC to } 50\text{ MHz}$
	OPL550, OPL551 Series	-	2	-	V	$V_{CC} = 5\text{ V DC}, f = \text{DC to } 50\text{ MHz}$
I_{CC}	Supply Current ⁽⁴⁾ OPL530, OPL530-OC	-	5	8	mA	$E_E = 0\text{ or } 1\text{ mW/cm}^2$
	OPL550, OPL551 Series	-	8	15	mA	$E_E = 0\text{ or } 3\text{ mW/cm}^2, V_{CC} = 5.5\text{ V}$
	OPL560, OPL561 Series	-	8	12	mA	$E_E = 0\text{ or } 1\text{ mW/cm}^2$
$E_{eT(+)}$	Positive-Going Threshold Irradiance ⁽³⁾ OPL530, OPL530-OC	0.08	-	0.40	mW/cm^2	$T_A = 25^\circ\text{C}$
	OPL531A, OPL531-OCA OPL535A, OPL536A	0.08	-	0.25	mW/cm^2	$T_A = 25^\circ\text{C}$
	OPL535B	0.12	-	0.40	mW/cm^2	$T_A = 25^\circ\text{C}$
	OPL550, OPL551-OC OPL550A, OPL550-OCA, OPL551-OCA	.25 .25	- -	2.4 1.4	mW/cm^2 mW/cm^2	$V_{CC} = 5\text{ V}, T_A = 25^\circ\text{C}$ $V_{CC} = 5\text{ V}, T_A = 25^\circ\text{C}$

Electrical Characteristics ($T_A = 25^\circ\text{C}$ unless otherwise noted)

SYMBOL	PARAMETER	MIN	TYP	MAX	UNITS	TEST CONDITIONS
$E_{eT(+)} / E_{eT(-)}$	Hysteresis Ratio OPL530, OPL531 Series	1.05	1.3	1.6	-	-
	OPL535, OPL536 Series	1.05	1.2	1.5	-	-
	OPL550, OPL551 Series	1.05	2	2.5	-	-
	OPL560, OPL561 Series	1.20	1.55	2	-	-
$\Delta E_{eT(+)}(\Delta T)$	Temperature Co-efficient OPL530, OPL530-OC	-	-0.6	-	$\%/^\circ\text{C}$	$>0^\circ\text{C}$

Notes:

- (1) RMA flux is recommended. Duration can be extended to 10 sec. max. when flow soldering. For OPL530 and OPL530-OC a maximum of 20 grams force may be applied to leads while at soldering temperatures.
- (2) Derate linearly $2.67\text{ mW}/^\circ\text{C}$ above 70°C for OPL530 and OPL530-OC. Derate linearly $2.5\text{ mW}/^\circ\text{C}$ above 25°C for all devices in the OPL550, OPL560, OPL561, OPL562 and OPL563 series.
- (3) Irradiance measurements are made with $\lambda_i = 935\text{ nm}$.
- (4) This applies to OC versions only. For I_{CC} on pull-up versions, add $V_{CC}/10\text{ K}\Omega$.

General Note

TT Electronics reserves the right to make changes in product specification without notice or liability. All information is subject to TT Electronics' own data and is considered accurate at time of going to print.

TT Electronics | OPTEK Technology
2900 E. Plano Pkwy, Plano, TX 75074 | Ph: +1 972 323 2200
www.ttelectronics.com | sensors@ttelectronics.com

Electrical Specifications

Electrical Characteristics (T_A = 25° C unless otherwise noted)

SYMBOL	PARAMETER	MIN	TYP	MAX	UNITS	TEST CONDITIONS
V _{OH}	Operating Supply Voltage OPL550	2.4	3.3	-	V	V _{CC} = 4.5 V, I _{OH} = -800 μA, E _E = 3 mW/cm ²
	OPL560	V _{CC} -2.1	-	-	V	I _{OH} = -1 μA, E _E = 1 mW/cm ²
	OPL561	V _{CC} -2.1	-	-	V	I _{OH} = -1 μA, E _E = 0
V _{OL}	Low Level Output Voltage OPL530, OPL530-OC	-	0.2	0.4	V	I _{OL} = 16 mA, E _E = 0
	OPL550	-	0.25	0.4	V	V _{CC} = 4.5 V, I _{OL} = 12.8 mA, E _E = 0
	OPL560	-	-	0.4	V	I _{OL} = 16 mA, E _E = 0
	OPL561, OPL561-OC	-	-	0.4	V	I _{OL} = 16 mA, E _E = 1 mW/cm ²
I _{OS}	Short Circuit Output Current OPL550	-20	-55	-100	mA	V _{CC} = 5.5 V, Output = GND, E _E = 3 mW/cm ²
I _{OH}	High Level Output Current ⁽⁴⁾ OPL530, OPL530-OC	-	0.1	10	μA	V _{OH} = 30 V, E _E = 1 mW/cm ²
	OPL550-OCA	-	1	100	μA	V _{CC} = 4.5 V, V _{OH} = 30 V, E _E = 3 mW/cm ²
	OPL551-OC, OPL551-OCA	-	1	100	μA	V _{CC} = 4.5 V, V _{OH} = 30 V, E _E = 0
	OPL561-OC	-	-	100	μA	V _{OH} = 30 V, E _E = 0

Notes:

- (1) RMA flux is recommended. Duration can be extended to 10 sec. max. when flow soldering. For OPL530 and OPL530-OC a maximum of 20 grams force may be applied to leads while at soldering temperatures.
- (2) Derate linearly 2.67 mW/° C above 70° C for OPL530 and OPL530-OC. Derate linearly 2.5 mW/° C above 25° C for all devices in the OPL550, OPL560, OPL561, OPL562 and OPL563 series.
- (3) Irradiance measurements are made with λ_i = 935 nm.
- (4) This applies to OC versions only. For I_{CC} on pull-up versions, add V_{CC}/10 KΩ.

General Note

TT Electronics reserves the right to make changes in product specification without notice or liability. All information is subject to TT Electronics' own data and is considered accurate at time of going to print.

Electrical Specifications

Electrical Characteristics ($T_A = 25^\circ\text{C}$ unless otherwise noted)

SYMBOL	PARAMETER	MIN	TYP	MAX	UNITS	TEST CONDITIONS
t_r	Output Rise Time OPL530	-	1500	-	ns	$E_E = 0$ or 1 mW/cm^2 , $C_L = 50\text{ pF}$, 10K P.U.
	OPL530-OC	-	50	-	ns	$E_E = 0$ or 1 mW/cm^2 , $R_L = 300\ \Omega$ to 5 V , $C_L = 50\text{ pF}$
	OPL550	-	25	70	ns	$V_{CC} = 5\text{ V}$, $T_A = 25^\circ\text{C}$, $E_E = 0$ or 3 mW/cm^2 , $f = 10\text{ kHz}$, $\text{DC} = 50\%$ $R_L = 8\text{ TTL loads}$
	OPL550-OCA, OPL551-OC, OPL551-OCA	-	25	70	ns	$V_{CC} = 5\text{ V}$, $T_A = 25^\circ\text{C}$, $E_E = 0$ or 3 mW/cm^2 , $f = 10\text{ kHz}$, $\text{DC} = 50\%$, $R_L = 360\ \Omega$
	OPL560, OPL561 OPL561-OC	- -	- -	70 100	ns	$T_A = 25^\circ\text{C}$, $E_E = 0$ or 1 mW/cm^2 , $f = 10\text{ kHz}$, $\text{DC} = 50\%$, $R_L = 360\ \Omega$
t_r	Output Rise Time OPL530	-	-	-	ns	$E_E = 0$ or 1 mW/cm^2 , $C_L = 50\text{ pF}$
	OPL530-OC	-	-	-	ns	$E_E = 0$ or 1 mW/cm^2 , $R_L = 300\ \Omega$ to 5 V , $C_L = 50\text{ pF}$
	OPL550-OCA, OPL551-OC, OPL551-OCA	-	25	70	ns	$V_{CC} = 5\text{ V}$, $T_A = 25^\circ\text{C}$, $E_E = 0$ or 3 mW/cm^2 , $R_L = 8\text{ TTL loads}$, $f = 10\text{ kHz}$, $\text{DC} = 50\%$
	OPL561-OC	-	-	70	ns	$V_{CC} = 5\text{ V}$, $T_A = 25^\circ\text{C}$, $E_E = 0$ or 3 mW/cm^2 , $R_L = 8\text{ TTL loads}$, $f = 10\text{ kHz}$, $\text{DC} = 50\%$
	OPL560, OPL561	-	-	70	ns	$T_A = 25^\circ\text{C}$, $E_E = 0$ or 1 mW/cm^2 , $f = 10\text{ kHz}$
	OPL561-OC	-	-	100	ns	$T_A = 25^\circ\text{C}$, $E_E = 0$ or 1 mW/cm^2 , $f = 10\text{ kHz}$
t_f	Output Fall Time OPL530	-	20	-	ns	$E_E = 0$ or 1 mW/cm^2 , $C_L = 50\text{ pF}$
	OPL530-OC	-	20	-	ns	$E_E = 0$ or 1 mW/cm^2 , $R_L = 300\ \Omega$ to 5 V , $C_L = 50\text{ pF}$
	OPL550-OCA, OPL551-OC, OPL551-OCA	-	25	70	ns	$V_{CC} = 5\text{ V}$, $T_A = 25^\circ\text{C}$, $E_E = 0$ or 3 mW/cm^2 , $R_L = 360\ \Omega$, $f = 10\text{ kHz}$, $\text{DC} = 50\%$
	OPL560, OPL561 OPL561-OC	- -	- -	70 100	ns	$T_A = 25^\circ\text{C}$, $E_E = 0$ or 1 mW/cm^2 , $f = 10\text{ kHz}$

Notes:

- (1) RMA flux is recommended. Duration can be extended to 10 sec. max. when flow soldering. For OPL530 and OPL530-OC a maximum of 20 grams force may be applied to leads while at soldering temperatures.
- (2) Derate linearly $2.67\text{ mW}/^\circ\text{C}$ above 70°C for OPL530 and OPL530-OC. Derate linearly $2.5\text{ mW}/^\circ\text{C}$ above 25°C for all devices in the OPL550, OPL560, OPL561, OPL562 and OPL563 series.
- (3) Irradiance measurements are made with $\lambda_i = 935\text{ nm}$.
- (4) This applies to OC versions only. For I_{CC} on pull-up versions, add $V_{CC}/10\text{ K}\Omega$.

General Note

TT Electronics reserves the right to make changes in product specification without notice or liability. All information is subject to TT Electronics' own data and is considered accurate at time of going to print.

Electrical Specifications

Electrical Characteristics (T_A = 25° C unless otherwise noted)

SYMBOL	PARAMETER	MIN	TYP	MAX	UNITS	TEST CONDITIONS
tpE _{ET} (+)	Propagation Delay OPL530	-	1.0	-	μs	E _E = 0 or 1 mW/cm ² , R _L = 300 Ω to 5 V, C _L = 50 pF
	OPL530-OC	-	1.0	-	μs	E _E = 0 or 1 mW/cm ² , R _L = 300 Ω to 5 V, C _L = 50 pF
	OPL550-OCA, OPL551-OC, OPL551-OCA	-	2.5	5	μs	V _{CC} = 5 V, T _A = 25° C, E _E = 0 or 3 mW/cm ² , R _L = 8 TTL loads, f = 10 kHz, DC = 50%
tpE _{ET} (-)	Propagation Delay OPL530 OPL530-OC	-	3.0	-	μs	E _E = 0 or 1 mW/cm ² , R _L = 300 Ω to 5 V, C _L = 50 pF
	OPL550-OCA, OPL551-OC, OPL551-OCA	-	2.5	5	μs	V _{CC} = 5 V, T _A = 25° C, E _E = 0 or 3 mW/ cm ² , R _L = 360 Ω, f = 10 kHz, DC = 50%
t _{PLH} , t _{PHL}	Propagation Delay (Low-High/High-Low) OPL560, OPL561	-	5	-	μs	DC = 50%, R _L = 10 TTL Loads
	OPL561-OC	-	5	-	μs	DC = 50%, R _L = 300 Ω

Notes:

- (1) RMA flux is recommended. Duration can be extended to 10 sec. max. when flow soldering. For OPL530, OPL530-OC and OPL536A a maximum of 20 grams force may be applied to leads while at soldering temperatures.
- (2) Derate linearly 2.67 mW/° C above 70° C for OPL530, OPL530-OC, OPL531, OPL531-OCA, OPL535 and OPL536A. Derate linearly 2.5 mW/° C above 25° C for all devices in the OPL550, OPL551, OPL560, OPL561, OPL562 and OPL563 series.
- (3) Irradiance measurements are made with λ_i = 935 nm.
- (4) This applies to OC versions only. For I_{CC} on pull-up versions, add V_{CC}/10 KΩ.

General Note

TT Electronics reserves the right to make changes in product specification without notice or liability. All information is subject to TT Electronics' own data and is considered accurate at time of going to print.