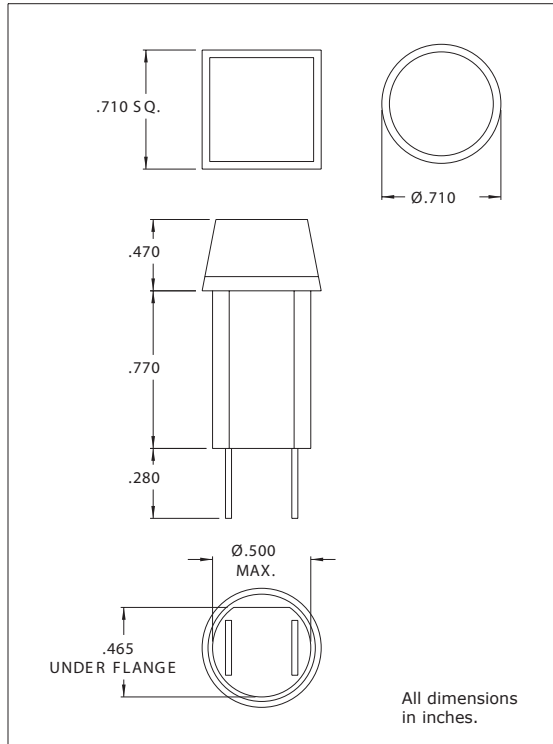




## 3040 and 3043 Series Relampable Incandescent Indicator Light

### DESCRIPTION AND FEATURES



Ordering Information:  
 For use with T-2 slide base (short) lamps.  
 Complete assembly consists of socket (3040 or 3043),  
 lamp and lens (see chart below).  
 Items supplied unassembled. Lamp lens and socket  
 must be ordered separately.

Mounting: Ø.500 hole, supplied with push-on  
 speednut SN0461  
 Mounting hole pattern on page SP2.

Lens: Polycarbonate, snap-on

Body: Black Nylon

Terminals: Nickel plated brass

| Lens Color Table |                |                 |
|------------------|----------------|-----------------|
| Color            | Round Lens No. | Square Lens No. |
| Red              | 3111           | 3121            |
| Clear            | 3112           | 3122            |
| Amber            | 3113           | 3123            |
| White            | 3114           | 3124            |
| Green            | 3115           | 3125            |
| Blue             | 3116           | 3126            |
| Yellow           | 3117           | 3127            |

| Socket No. | Terminal Size |
|------------|---------------|
| 3040       | .205 wide     |
| 3043       | .187 wide     |