



Fixture Clip - Short

PRODUCT ID: 2458

IN STOCK

1

ADD TO CART

1-9

10-99

100+

ADD TO WISHLIST

DESCRIPTION

TECHNICAL DETAILS

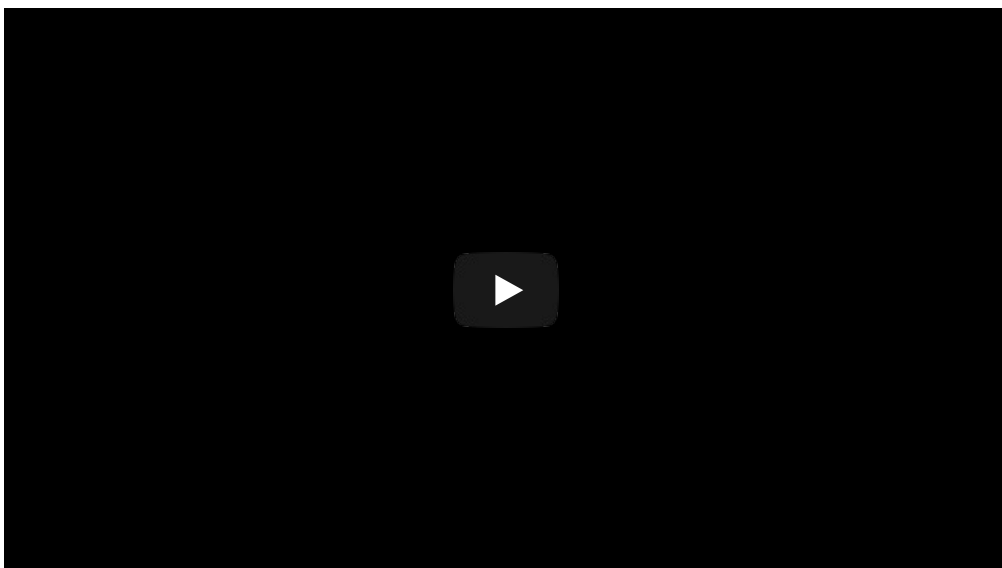


DESCRIPTION

Doesn't this fixture clamp look like a character in a Pixar movie? If you just drew two little eyes on it then you could just imagine it hopping around on nifty, adorable little adventures that are

This fixture clamp is a great way to hold a printed circuit board in place while you're testing or programming. It comes with two mounting screws so you can attach the clamp to your tester. Just press down on the white lever to add or remove a PCB then release to keep the board in nice and snug.

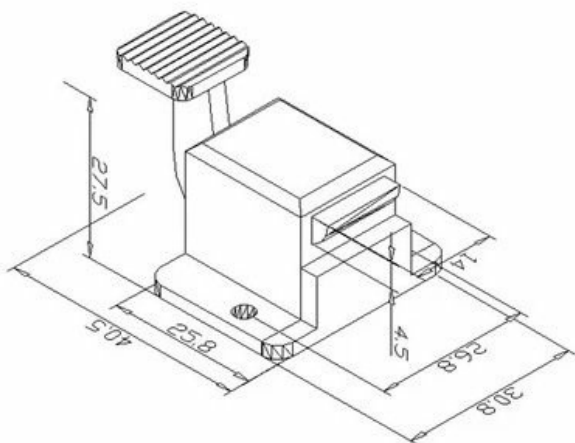
We do have a rough placement object in our EagleCAD library, its called [FIXCLIP](#), your mileage may vary!



TECHNICAL DETAILS

- Base Plate: 34mm x 26mm / 1.3" x 1.0"
- Top: 26mm deep x 22mm tall x 18mm wide / 1.0" deep x 0.9" tall x 0.7" wide
- Lever is 21mm / 0.8" high
- Mounting holes are 25mm apart
- Weight: 11g

This is the only diagram we have:



LEARN



[How to Make a Pogo Pin Test Jig](#)
Get jiggy!

MAY WE ALSO SUGGEST...



Pogo Pin Probe Clip



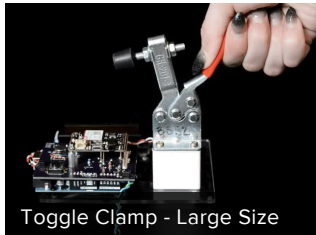
Toggle Clamp - Small Flip-



Pogo Pins "Spear Head" (10)



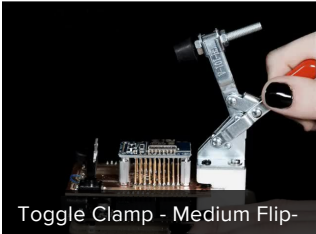
Pogo Pins "Crown Head" (10)



Toggle Clamp - Large Size



Pogo Pins "Cupped Head"



Toggle Clamp - Medium Flip-



Pogo Pins "Needle Head"

DISTRIBUTORS [EXPAND TO SEE DISTRIBUTORS](#)

[CONTACT](#)

[SUPPORT](#)

[DISTRIBUTORS](#)

[EDUCATORS](#)

[JOBS](#)

[FAQ](#)

[SHIPPING & RETURNS](#)

[TERMS OF SERVICE](#)

[PRIVACY & LEGAL](#)

[ABOUT US](#)

"We have a hunger of the mind which asks for knowledge of all around us, and the more we gain, the more is our desire; the more we see, the more we are capable of seeing" - [Maria Mitchell](#)

ENGINEERED IN NYC [Adafruit](#)®



4.9 ★★★★★
Google
Customer Reviews