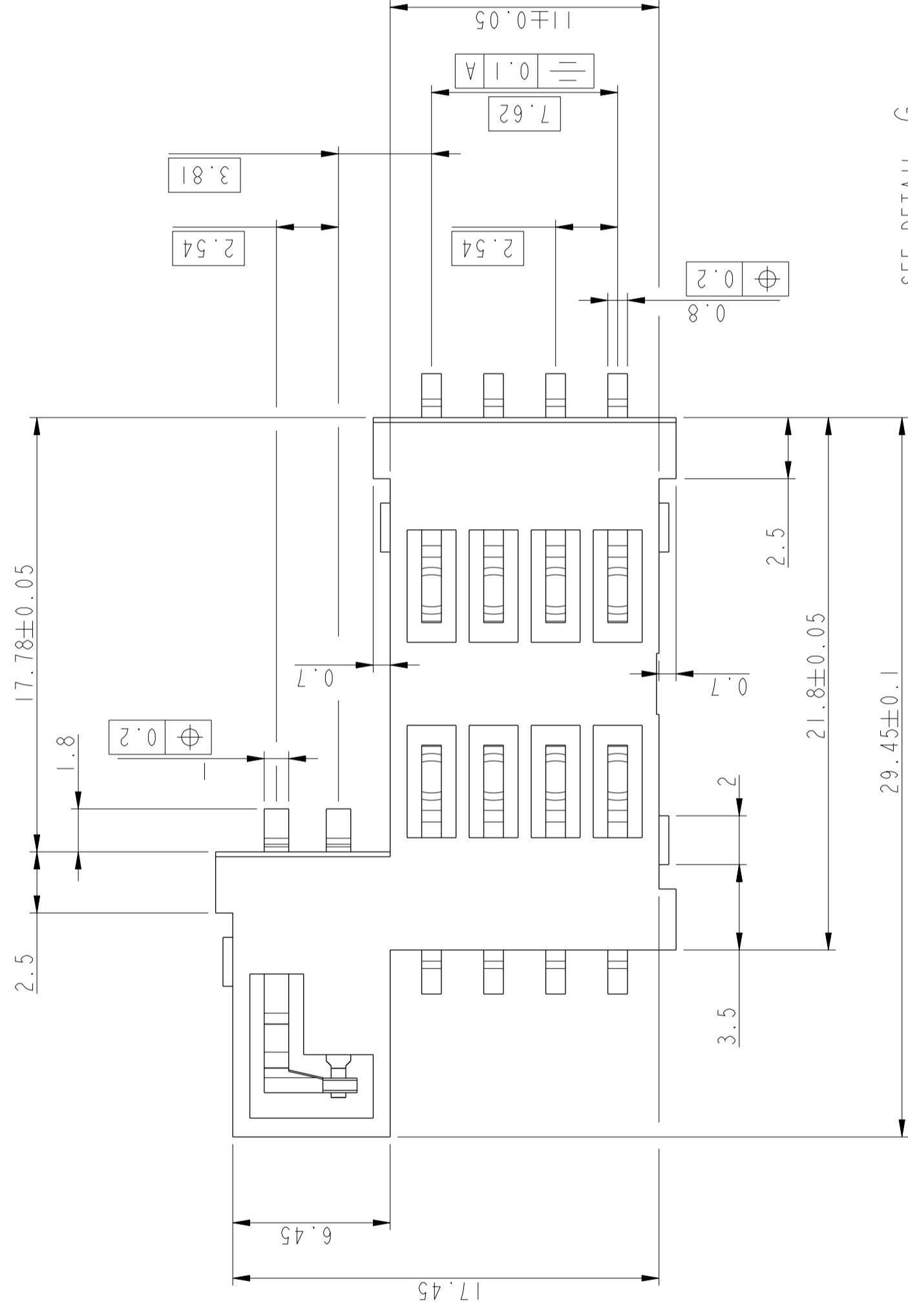


PART NUMBER	
7X11S0725A01LF	

CODE	PACKAGE OPTION
3	LARGE TRAY QTY-100 PCS
7	SMALL TRAY QTY- 84 PCS

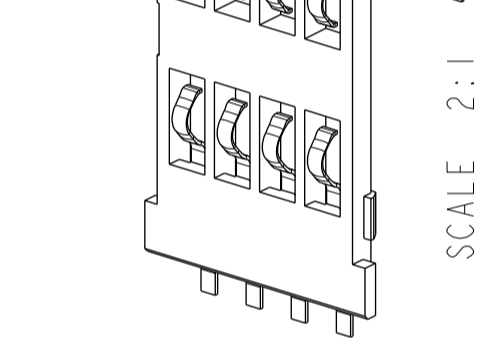
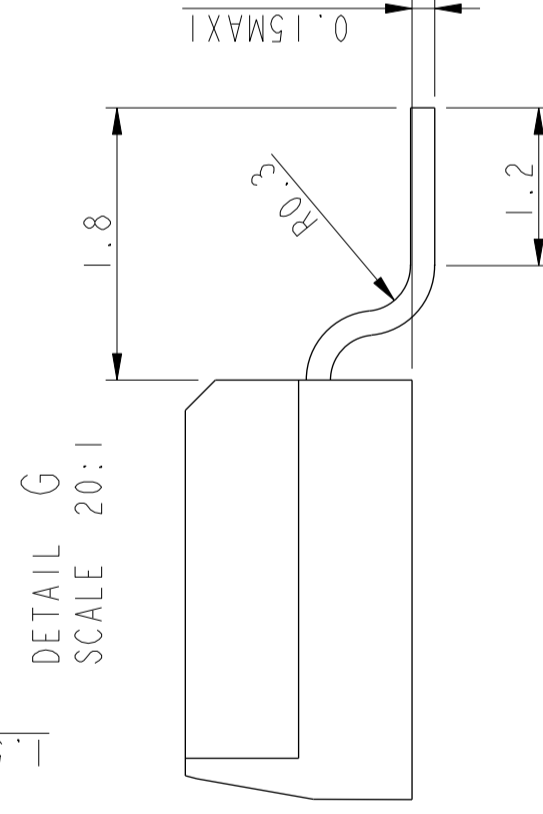


SEE DETAIL F

SEE DETAIL G

DETAIL F
SCALE 20:1

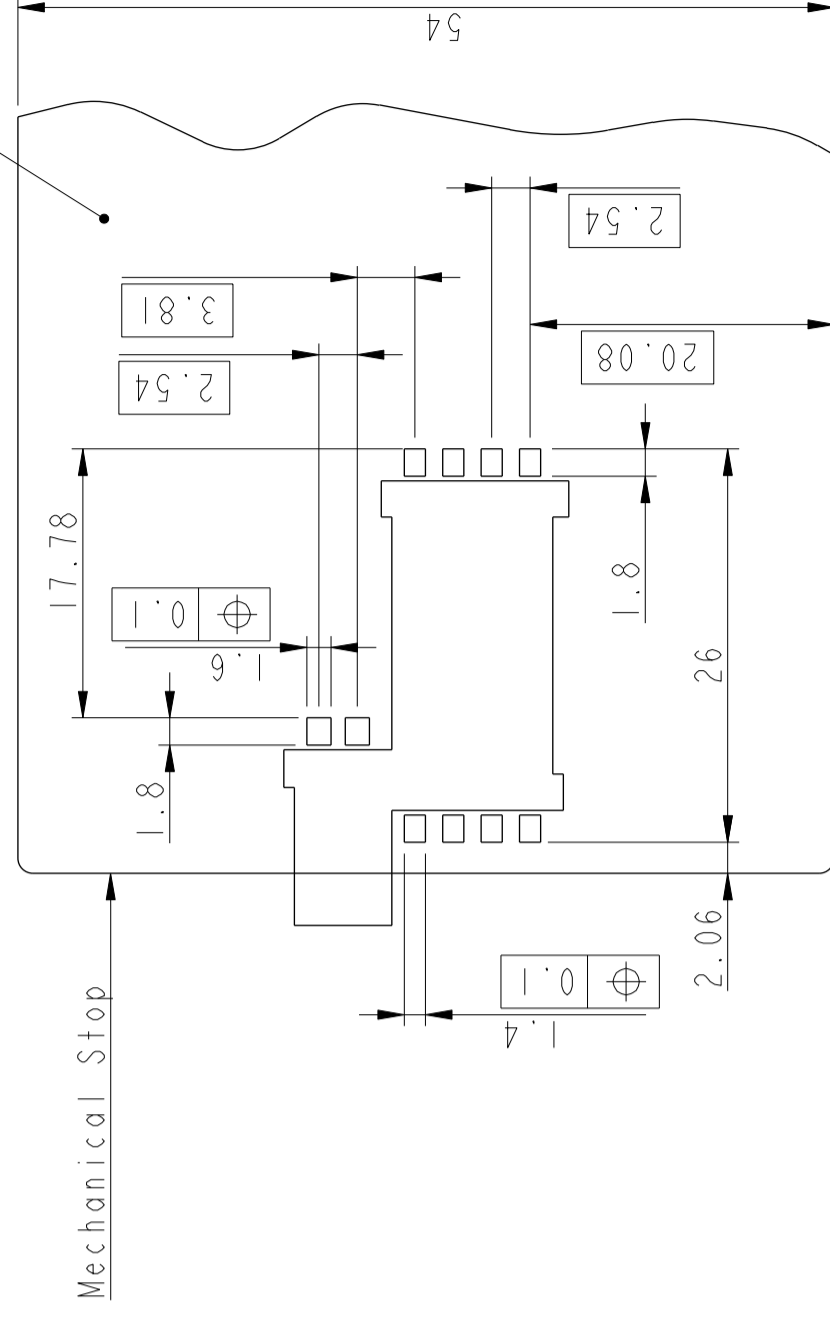
DETAIL G
SCALE 20:1



SCALE 2:1

SCALE 3:1

PCB Layout



CARD

CHARACTERISTICS:

GENERAL:

This S07 connector is suitable for narrow space portable applications. It has an integral card detection switch.

ELECTRICAL PROPERTIES:

Insulation resistance : > 1000MΩ
Dielectric withstanding voltage : > 1000 Vrms
Current carrying capacity : Min 10mA, Max. 1A
Contact resistance : GSM II-II standard
Card sensor type : Normally Open

MECHANICAL PROPERTIES:

Contact Normal force : GSM II-II standard
Durability : 10 000 card insertions

MATERIAL:

Housing : High Temperature Thermoplastic, colour Black, Rated UL94V0
Contacts and switch : Copper Alloy, Thickness 0.16mm
Plating : undercoat Ni, all over
- Contact : Gold or Equivalent GXT over Ni on contact areas
- Switch : Gold or Equivalent GXT over Ni on functional areas
Bare edge allowed,
Lead Free (Sn) on soldertails.

ENVIRONMENT:

Operating temperature : -40 °C / +90 °C
Reflow soldering temperature for Lead Free version: see note RoHS informations

NOTE ROHS INFORMATIONS

- The "LF" products meet European Union Directives and other country regulations as described in GS-47-0004
- The housing will withstand exposure to 260°C peak temperature for 30 seconds in a convection, infra-red or vapor reflow oven. See application notes/procedures if they are available.
- Packaging spec: see GS-14-920

spec ref	-	dr	P-Mahesh Naidu	2011/03/31	projection	mm	size	A2	scale	5:1
tolerance std	TOLERANCES UNLESS OTHERWISE SPECIFIED	eng	P-Mahesh Naidu	2016/09/25					ec'n no	ELX42525-1
ISO 406		chr							SIM	rel. level
ISO 1101		appr	K-Paul Biju	2016/11/24					product family	Released
surface	linear	0.X	±0.3						no	rev
	angular	0.XX	±0.1						cat. no.	VJW53696
ISO 1302	0°	0.XXX	±0.05						SEE TABLE	Product - Customer Drw
			±2°							sheet 1 of 1