

D-SUB STANDARD

Crimp Contacts – Machined or stamped – For wire size AWG 24...20 and AWG 28...24

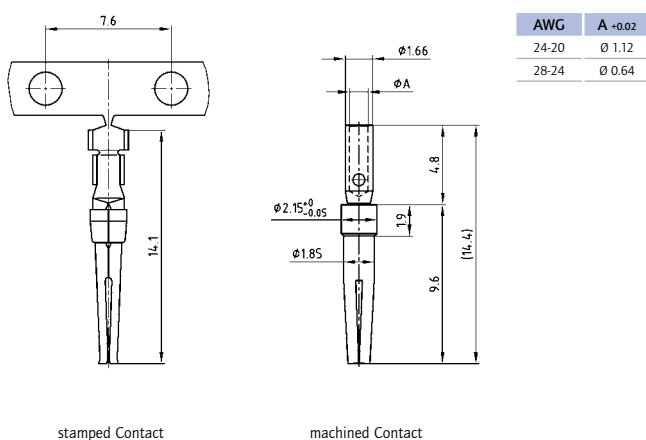


RoHS compliant – CSA listed, File No.: LR 115000-1 – UL listed, File No.: E202784

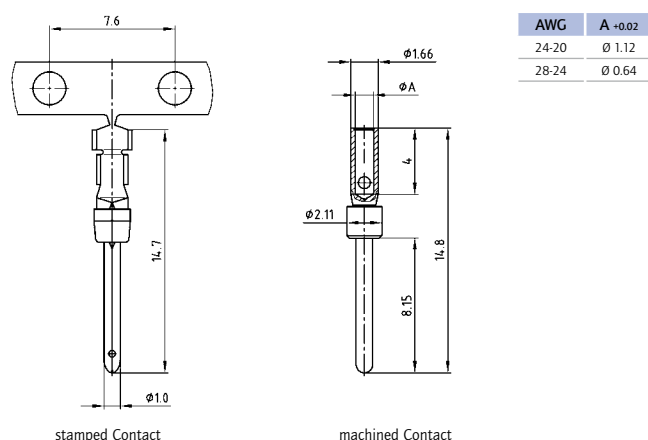
DESCRIPTION

- For wire size **AWG 24...20** and **AWG 28...24**
- Stamped contacts with reel length of 500 or 10,000 contacts
- Loose contacts, machined and stamped, in poly bag (500 pieces)
- Quality class 3 (also available in quality class 1)

FEMALE CONTACT



MALE CONTACT



Technical Data

Contact material Precision machined contacts	Brass
Contact material Stamped contacts	Phosphor bronze
Contact plating Precision machined contacts	Gold plated over nickel
Contact plating Stamped contacts	Selective gold plated
Temperature range	-55°C to +125°C
Rated current for AWG 24...20	7.5 A
Rated current for AWG 28...24	5 A
Contact resistance	≤ 10 mΩ

ORDER DATA

FEMALE CONTACTS	
Contact type / AWG	Part Number
Stamped / 24...20 / Big reel wheeled left (10.000)	162 A 11819 X
Stamped / 24...20 / Big reel wheeled right (10.000)	162 A 11829 X
Stamped / 24...20 / Small reel wheeled right (500)	162 A 11839 X
Stamped / 24...20 / Loose contacts (500)	162 A 11849 X
Machined / 24...20 / Loose contacts (500)	162 A 18709 X
Stamped / 28...24 / Big reel wheeled left (10.000)	162 A 11859 X
Stamped / 28...24 / Big reel wheeled right (10.000)	162 A 11869 X
Stamped / 28...24 / small reel wheeled right (500)	162 A 11879 X
Stamped / 28...24 / Loose contacts (500)	162 A 11889 X
Machined / 28...24 / Loose contacts (500)	162 A 18719 X

MALE CONTACTS	
Contact type / AWG	Part Number
Stamped / 24...20 / Big reel wheeled left (10.000)	161 A 13369 X
Stamped / 24...20 / Big reel wheeled right (10.000)	161 A 13379 X
Stamped / 24...20 / Small reel wheeled right (500)	161 A 13389 X
Stamped / 24...20 / Loose contacts (500)	161 A 13399 X
Machined / 24...20 / Loose contacts (500)	161 A 18299 X
Stamped / 28...24 / Big reel wheeled left (10.000)	161 A 13409 X
Stamped / 28...24 / Big reel wheeled right (10.000)	161 A 13419 X
Stamped / 28...24 / Small reel wheeled right (500)	161 A 13429 X
Stamped / 28...24 / Loose contacts (500)	161 A 13439 X
Machined / 28...24 / Loose contacts (500)	161 A 18309 X