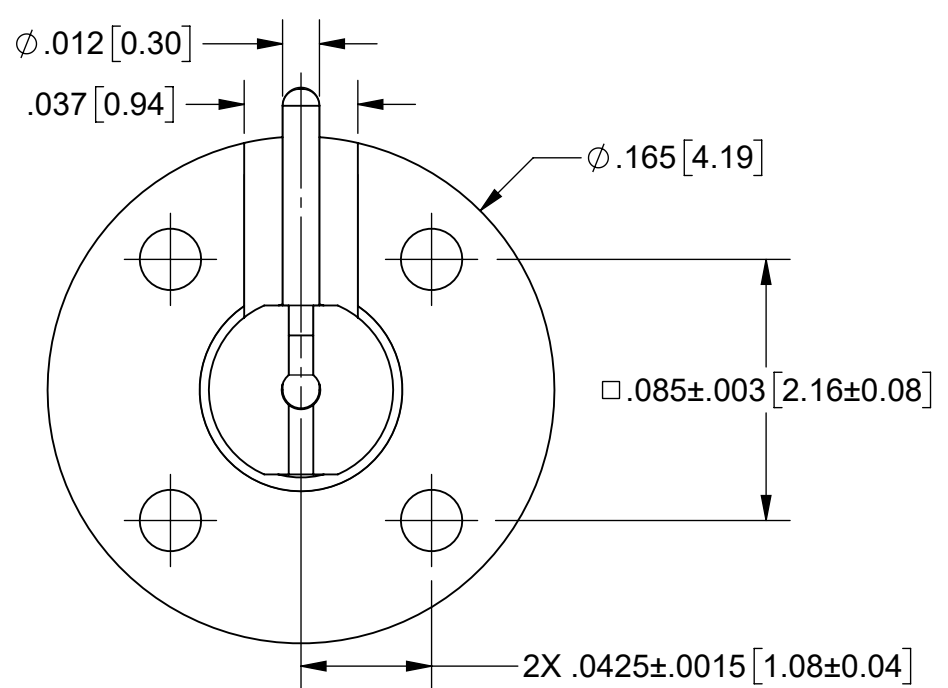
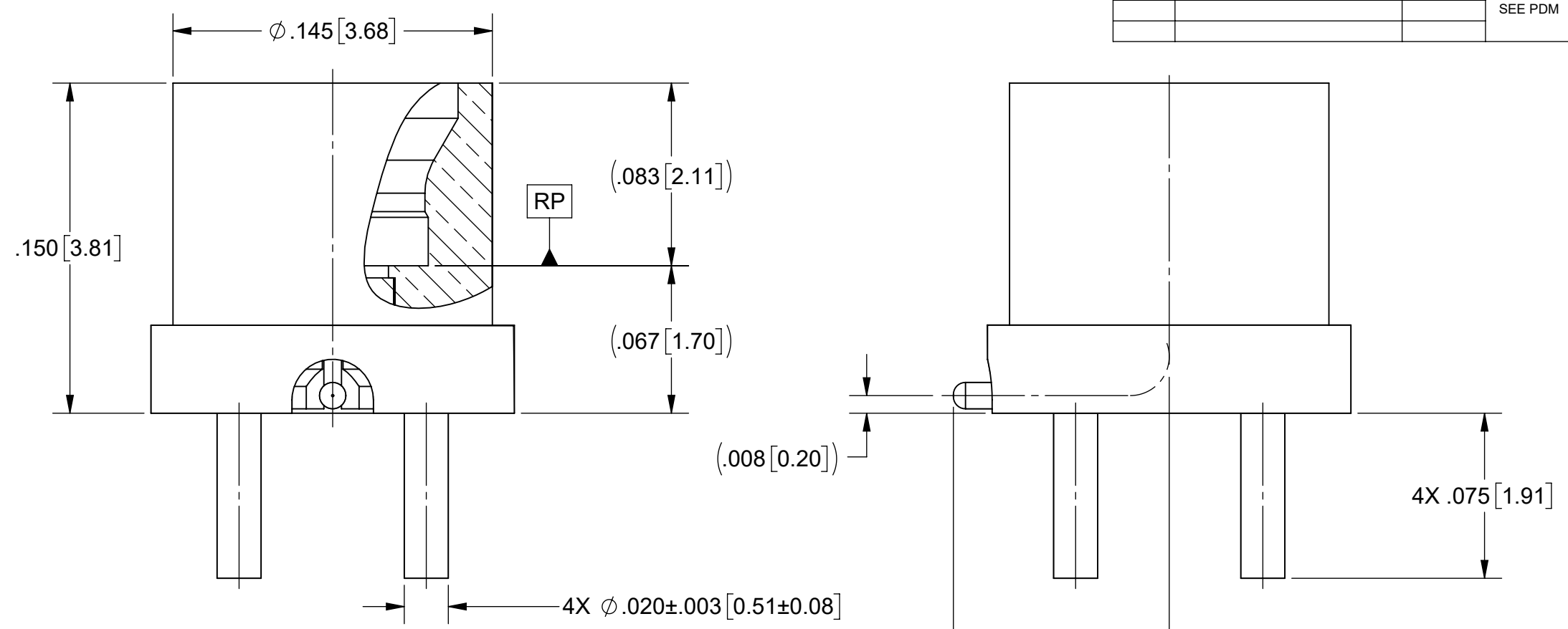
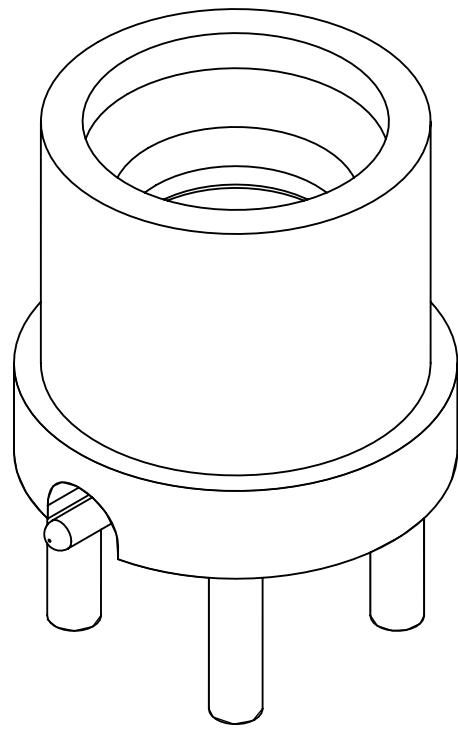


# PRODUCT DATA DRAWING

REVISION HISTORY			
REV	DESCRIPTION	DATE	APPROVED
A	DCN 52573	05/23	SEE PDM



**MATERIAL:**

**BODY & CONTACT:** BERYLLIUM COPPER PER ASTM B196, ALLOY No. UNS C17300, TD04

**INSULATOR:** POLYAMIDE-IMIDE

**FINISH:**


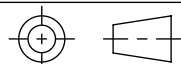
**BODY & CONTACT:** GOLD PER ASTM B488, TYPE II, CODE C, CLASS .76, OVER NICKEL PER AMS-QQ-N-290, CLASS 1, .00010" MIN.

**PERFORMANCE:**

**IMPEDANCE:** 50 OHMS  
**FREQ. RANGE:** DC TO 25.0 GHz.  
**DWV:** 325 VRMS  
**OPERATING TEMP:** -55°C TO +125°C  
**INSULATION RES.:** 5,000 MEGAOHMS MINIMUM

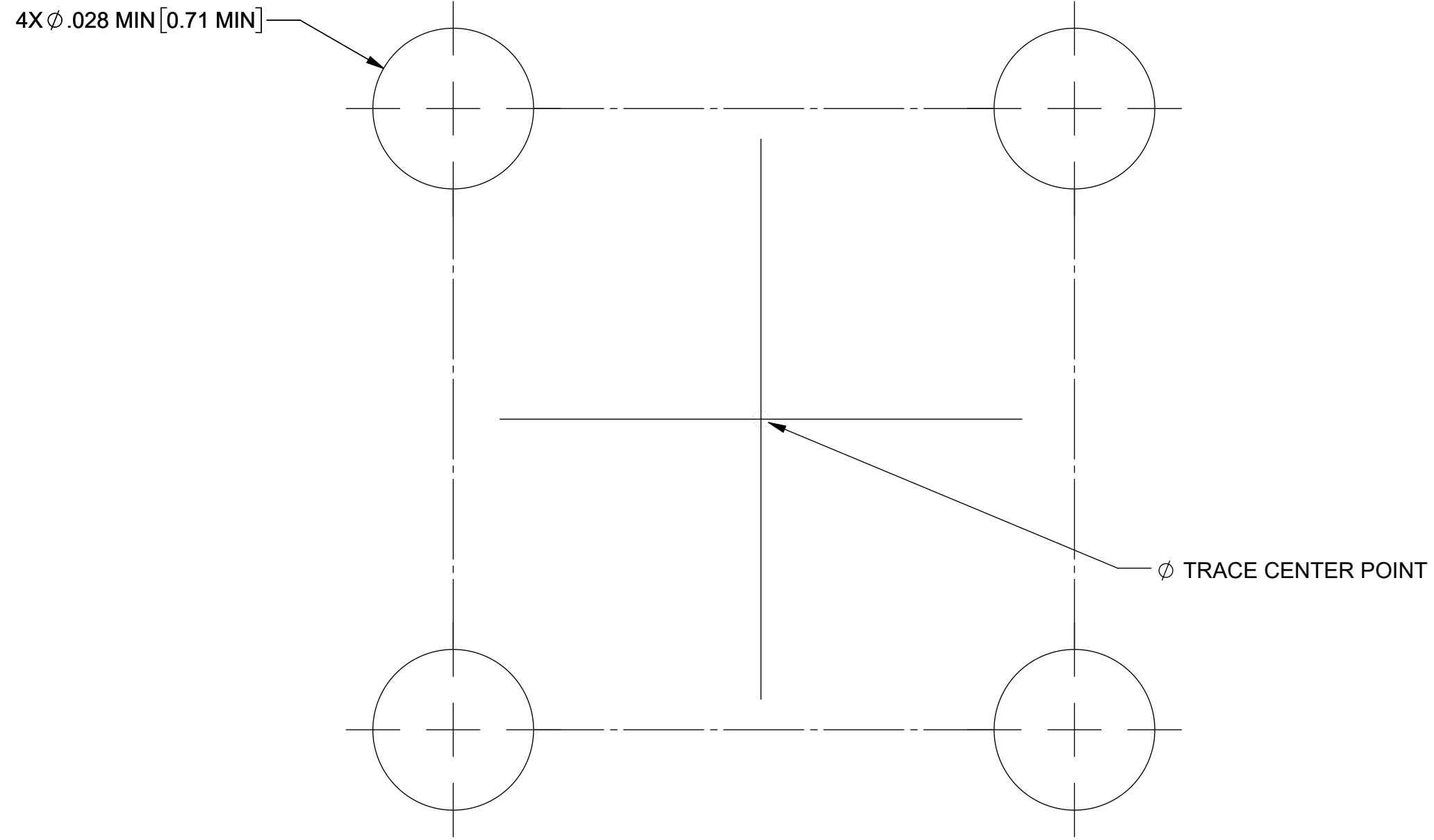
**NOTES:**  
 1. FOR A FOOTPRINT RECOMMENDATION SPECIFIC TO YOUR PCB, PLEASE CONTACT US AT [applications@svmicro.com](mailto:applications@svmicro.com).


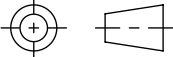
PART NUMBER	INTERFACE
3211-40138	SMOOTH BORE
3211-40139	FULL DETENT

MATERIAL: SEE NOTES FINISH: SEE NOTES SURFACE AREA: N/A <b>PROPRIETARY</b> THE INFORMATION CONTAINED IN THIS DRAWING IS THE SOLE PROPERTY OF SV MICROWAVE, INC. ANY REPRODUCTION IN PART OR AS A WHOLE WITHOUT THE WRITTEN PERMISSION OF SV MICROWAVE, INC IS PROHIBITED.	DIMENSIONS ARE IN INCHES TOLERANCES: FRACTIONAL: $\pm 1/64$ ANGULAR: X° $\pm 1'0''$ X°X' $\pm 15''$ DECIMAL: X $\pm .030$ .XX $\pm .010$ .XXX $\pm .005$ INTERPRET DIMENSIONS AND TOLERANCES PER ASME Y14.5M - 1994	UNLESS OTHERWISE SPECIFIED 1) ALL DIMENSIONS ARE IN INCHES (MILLIMETERS) 2) ALL DIMENSIONS ARE AFTER PLATING. 3) BREAK CORNERS & EDGES .005 R. MAX. 4) CHAM. 1ST & LAST THREADS. 5) SURFACE ROUGHNESS 63-MIL-STD-10. 6) DIA: 'S ON COMMON CENTERS TO BE CONCENTRIC WITHIN .005 T.I.R. 7) REMOVE ALL BURRS	 TITLE: SMPM MALE PCB MOUNT WITH RIGHT ANGLE CONTACT SIZE DWG. NO. B 3211-40138-40139 SCALE: 16:1 SHEET 1 OF 2
	THIRD ANGLE PROJECTION 	DRAWN: JLP 10/25/21 CHECKED: SEE PDM APPROVED: SEE PDM	

REVISION HISTORY			
REV	DESCRIPTION	DATE	APPROVED
	SEE SHEET 1		SEE PDM

## RECOMMENDED PCB MECHANICAL FOOTPRINT



<b>MATERIAL:</b>	SEE NOTES	<b>DIMENSIONS ARE IN INCHES TOLERANCES:</b>	<b>UNLESS OTHERWISE SPECIFIED</b>	
<b>FINISH:</b>	SEE NOTES	FRACTIONAL: $\pm 1/64$ ANGULAR: X° $\pm 1'0''$ X'X' $\pm 15''$	<small>1) ALL DIMENSIONS ARE IN INCHES (MILLIMETERS)  2) ALL DIMENSIONS ARE AFTER PLATING.  3) BREAK CORNERS &amp; EDGES .005 R. MAX.  4) CHAM. 1ST &amp; LAST THREADS.  5) SURFACE ROUGHNESS 63-MIL-STD-10.  6) DIA. 'S ON COMMON CENTERS TO BE CONCENTRIC WITHIN T.I.R.  7) REMOVE ALL BURRS</small>	<b>TITLE:</b> SMPM MALE PCB MOUNT WITH RIGHT ANGLE CONTACT
<b>SURFACE AREA:</b>	N/A	DECIMAL: X $\pm .030$ .XX $\pm .010$ .XXX $\pm .005$		
<b>PROPRIETARY</b>	<small>THE INFORMATION CONTAINED IN THIS DRAWING IS THE SOLE PROPERTY OF SV MICROWAVE, INC. ANY REPRODUCTION IN PART OR AS A WHOLE WITHOUT THE WRITTEN PERMISSION OF SV MICROWAVE, INC IS PROHIBITED.</small>	<b>INTERPRET DIMENSIONS AND TOLERANCES PER ASME Y14.5M - 1994</b>	<b>CHECKED:</b> SEE PDM	<b>SIZE DWG. NO.</b> B 3211-40138-10139
		<b>THIRD ANGLE PROJECTION</b>		<b>APPROVED:</b> SEE PDM